



# 050-696<sup>Q&As</sup>

Foundations of Novell Open Enterprise Server NetWare

## Pass Novell 050-696 Exam with 100% Guarantee

Free Download Real Questions & Answers **PDF** and **VCE** file from:

<https://www.geekcert.com/050-696.html>

100% Passing Guarantee  
100% Money Back Assurance

Following Questions and Answers are all new published by Novell  
Official Exam Center

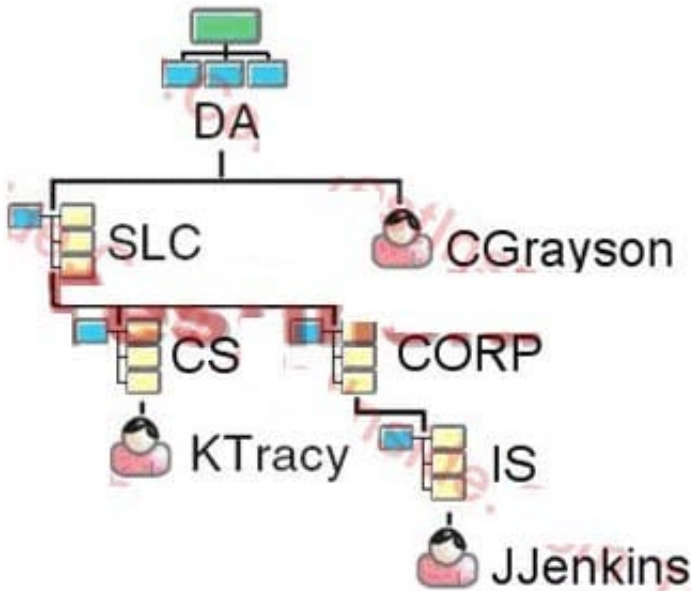
-  **Instant Download** After Purchase
-  **100% Money Back** Guarantee
-  **365 Days** Free Update
-  **800,000+** Satisfied Customers





### QUESTION 1

Click the Exhibit button to begin.



Your current context is .CORP.SLC. D

- A. What is the relative distinguished name of the JJenkins user object?
- B. JJenkins
- C. JJenkins.IS
- D. IS.JJenkins
- E. JJenkins.IS.CORP
- F. CORP.IS.JJenkins
- G. JJenkins.IS.CORP.SLC
- H. JJenkins.IS.CORP.SLC. DA

Correct Answer: B

### QUESTION 2

Which server console command can be used to disable the loading of NLMs from the floppy drive?

- A. SECURE LOAD



- B. DISABLE LOAD
- C. SECURE FLOPPY
- D. SECURE CONSOLE
- E. DISABLE FLOPPY
- F. DISABLE CONSOLE

Correct Answer: D

---

### QUESTION 3

Which file system attribute indicates that the file has been modified at some point since the last backup operation?

- A. A
- B. H
- C. P
- D. Ci
- E. Dc
- F. Di
- G. Dm
- H. Ds
- I. Ic
- J. Ro
- K. Sh

Correct Answer: A

---

### QUESTION 4

You recently purchased and installed a SCSI RAID5 disk array in your OES NetWare server to store large user files. You need to configure your system files to automatically load the drivers on boot. Which file should you edit to do this?

- A. RAID.NCF
- B. SERVER.EXE



- C. CONFIG.SYS
- D. STARTUP.NCF
- E. STARTUP.CFG
- F. AUTOEXEC. BAT

Correct Answer: D

---

#### QUESTION 5

Which components are OES NetWare applications? (Choose 2.)

- A. DS.NLM
- B. IDEHD. CDM
- C. 3C90X.LAN
- D. NE2000.LAN
- E. SCSICD. CDM
- F. APACHE2.NLM
- G. STARTUP.NCF
- H. AUTOEXEC. NCF

Correct Answer: AF

[Latest 050-696 Dumps](#)

[050-696 VCE Dumps](#)

[050-696 Study Guide](#)