



199-01^{Q&As}

Riverbed Certified Solutions Professional

Pass Riverbed 199-01 Exam with 100% Guarantee

Free Download Real Questions & Answers **PDF** and **VCE** file from:

<https://www.geekcert.com/199-01.html>

100% Passing Guarantee
100% Money Back Assurance

Following Questions and Answers are all new published by Riverbed
Official Exam Center

-  **Instant Download** After Purchase
-  **100% Money Back** Guarantee
-  **365 Days** Free Update
-  **800,000+** Satisfied Customers





QUESTION 1

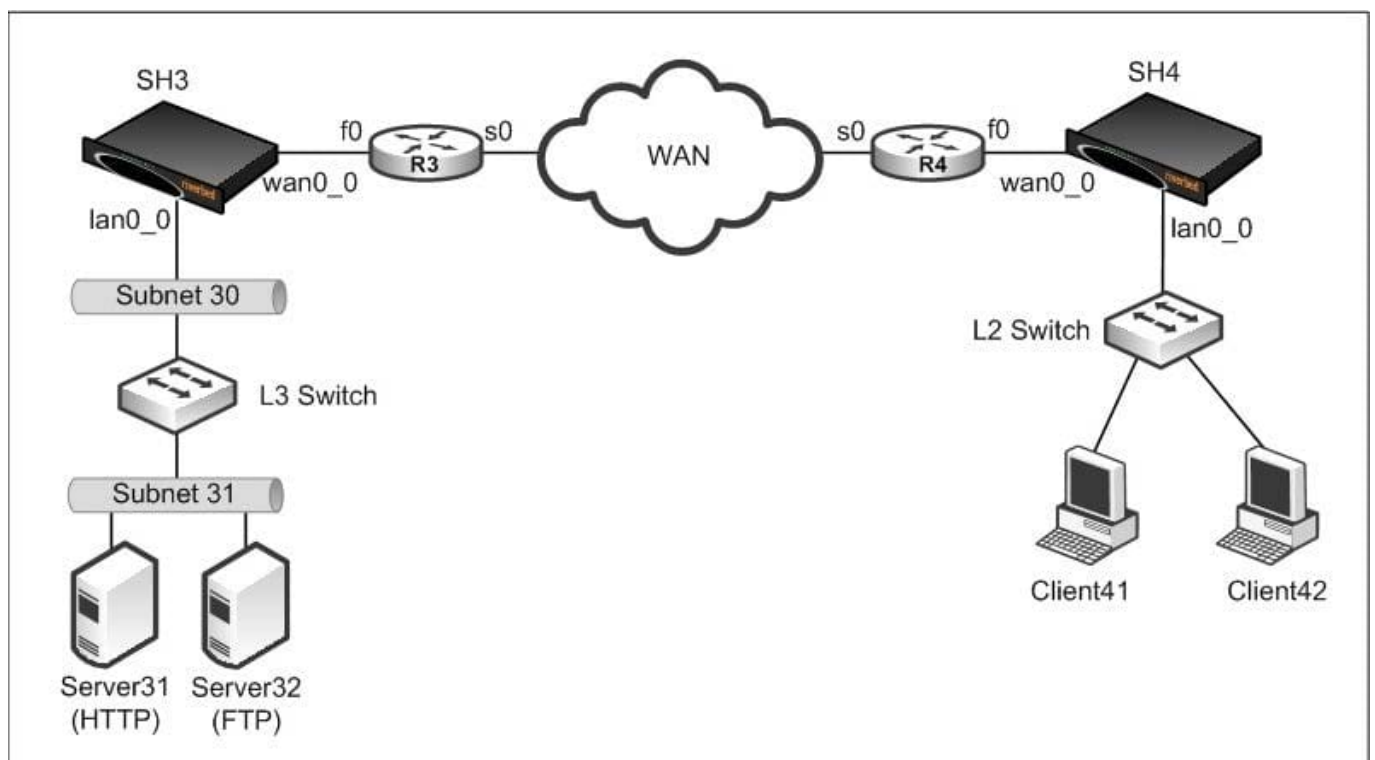
Hybrid Mode can best be defined as a combination of:

- A. Physical in-path and WCCP
- B. Physical/virtual in-path and server-side out-of-path
- C. Physical/virtual in-path and PBR
- D. A and B
- E. A, B, and C

Correct Answer: B

QUESTION 2

Refer to the exhibit.



In the accompanying exhibit, SH3 and SH4 are able to optimize FTP and HTTP sessions between Client41 and the respective application hosts Server31 and Server32. However, optimization does not happen for Client42 and these application hosts. A quick check on SH3 and SH4 registers neither optimized nor passthrough traffic from Client42. Client42 is able to ping Client41 and the in-path address of SH4. Note that SH3 and SH4 are in auto-discovery mode. What is the likely cause?

- A. The default gateway of Client41 is configured wrong



- B. The default gateway of Client42 is configured wrong
- C. The default gateway of SH3 is configured wrong
- D. The default gateway of SH4 is configured wrong
- E. The routing protocol between R3 and R4 is configured wrong

Correct Answer: B

QUESTION 3

What command should you use to see the direct URL of a package?

- A. show rsp slots
- B. show rsp modules
- C. show rsp platform
- D. show rsp packages
- E. show rsp vms

Correct Answer: A

QUESTION 4

On the Interceptor appliance, the Neighbor Peers page shows which of the following?

- A. Optimized connections, Admission Control connection count
- B. Optimized connections, Pass-through connections count
- C. Current Connections per Second (CPS), Admission Control count
- D. Packets per second, Connections per Second, Optimized connections count

Correct Answer: A

QUESTION 5

A version 9 SteelCentral Controller for SteelHead (SCC) connects to managed appliances using which protocols?

- A. SNMP
- B. SSH and HTTPS
- C. SSH and API access
- D. SSH only



E. SNMP and SSH

Correct Answer: D

[Latest 199-01 Dumps](#)

[199-01 Exam Questions](#)

[199-01 Braindumps](#)