



352-011^{Q&As}

Cisco Certified Design Expert Practical

Pass Cisco 352-011 Exam with 100% Guarantee

Free Download Real Questions & Answers **PDF** and **VCE** file from:

<https://www.geekcert.com/352-011.html>

100% Passing Guarantee
100% Money Back Assurance

Following Questions and Answers are all new published by Cisco
Official Exam Center

-  **Instant Download** After Purchase
-  **100% Money Back** Guarantee
-  **365 Days** Free Update
-  **800,000+** Satisfied Customers



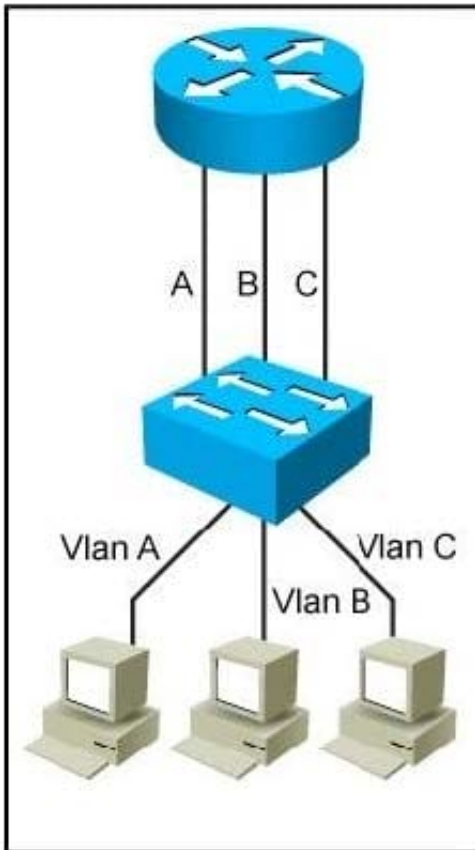


QUESTION 1

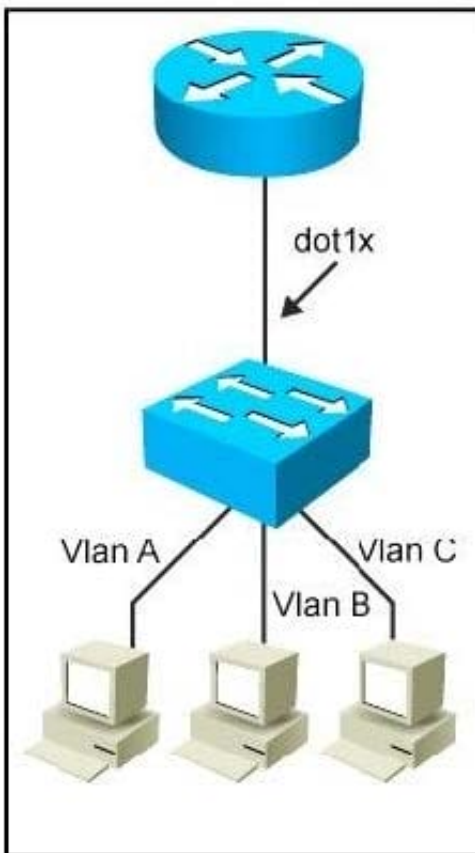
Which network topology is characterized by a link fate-sharing situation?



A.

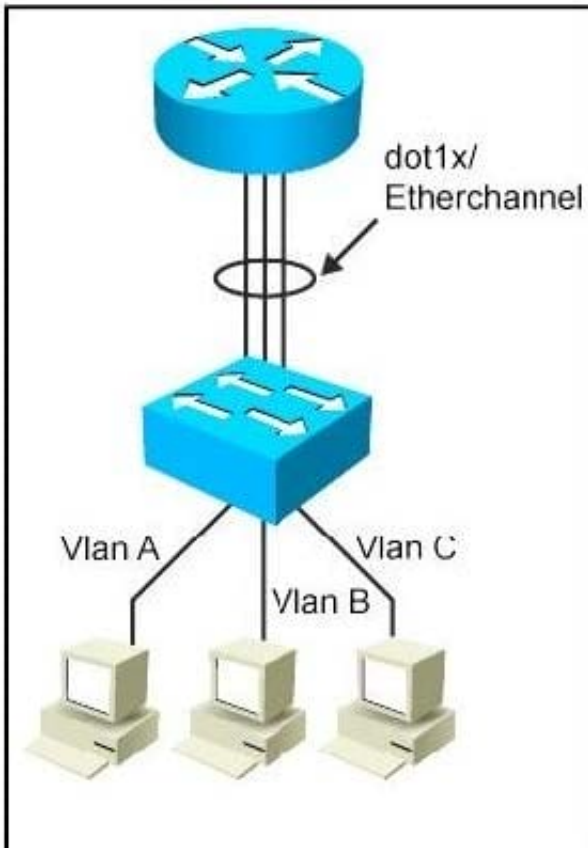


B.

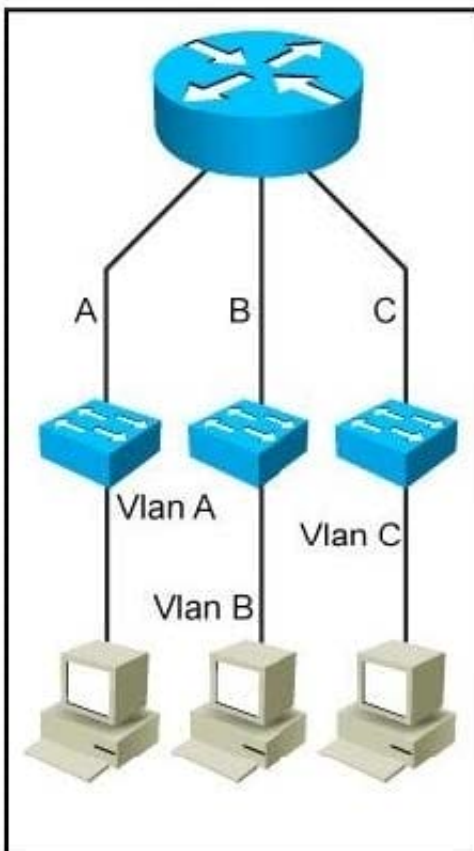




C.



D.



A. Option A



- B. Option B
- C. Option C
- D. Option D

Correct Answer: B

QUESTION 2

You are designing a WAN network solution with EIGRP based on VPLS. The interface speed is 10Mb/s, but the access rate of the WAN connection is 256 Kb/s. What should you include in the network design, in order to avoid potential issues with EIGRP?

- A. Limit EIGRP traffic to the access rate with a policer.
- B. Tag outbound EIGRP traffic and have the WAN provider add it to the priority queue.
- C. Limit traffic to the access rate with interface traffic shaping.
- D. Set the interface bandwidth to match the access rate.

Correct Answer: D

QUESTION 3

Which two functions are performed at the distribution layer of the three-layer hierarchical network design model? (Choose two)

- A. Fast transport
- B. QoS classification and marking boundary
- C. Fault isolation
- D. Redundancy and load balancing
- E. Reliability

Correct Answer: CD

QUESTION 4

A multisite data center network runs OSPF and DWDM point-to-point interfaces for site to- site connectivity. Which method to detect interfaces the fastest?

- A. interface event dampening
- B. LoS/AJS event faults



C. UDLD

D. fast-hello> timers

Correct Answer: B

QUESTION 5

Which two IoT use cases require the low latency and high reliability that 5G networks provide?

A. Smart Home

B. Automotive

C. Health and Wellness

D. Smart Cities

E. Sports and Fitness

Correct Answer: BC

[352-011 Study Guide](#)

[352-011 Exam Questions](#)

[352-011 Braindumps](#)