



4A0-C01^{Q&As}

Nokia NRS II Composite Exam

Pass Nokia 4A0-C01 Exam with 100% Guarantee

Free Download Real Questions & Answers **PDF** and **VCE** file from:

<https://www.geekcert.com/4a0-c01.html>

100% Passing Guarantee
100% Money Back Assurance

Following Questions and Answers are all new published by Nokia
Official Exam Center

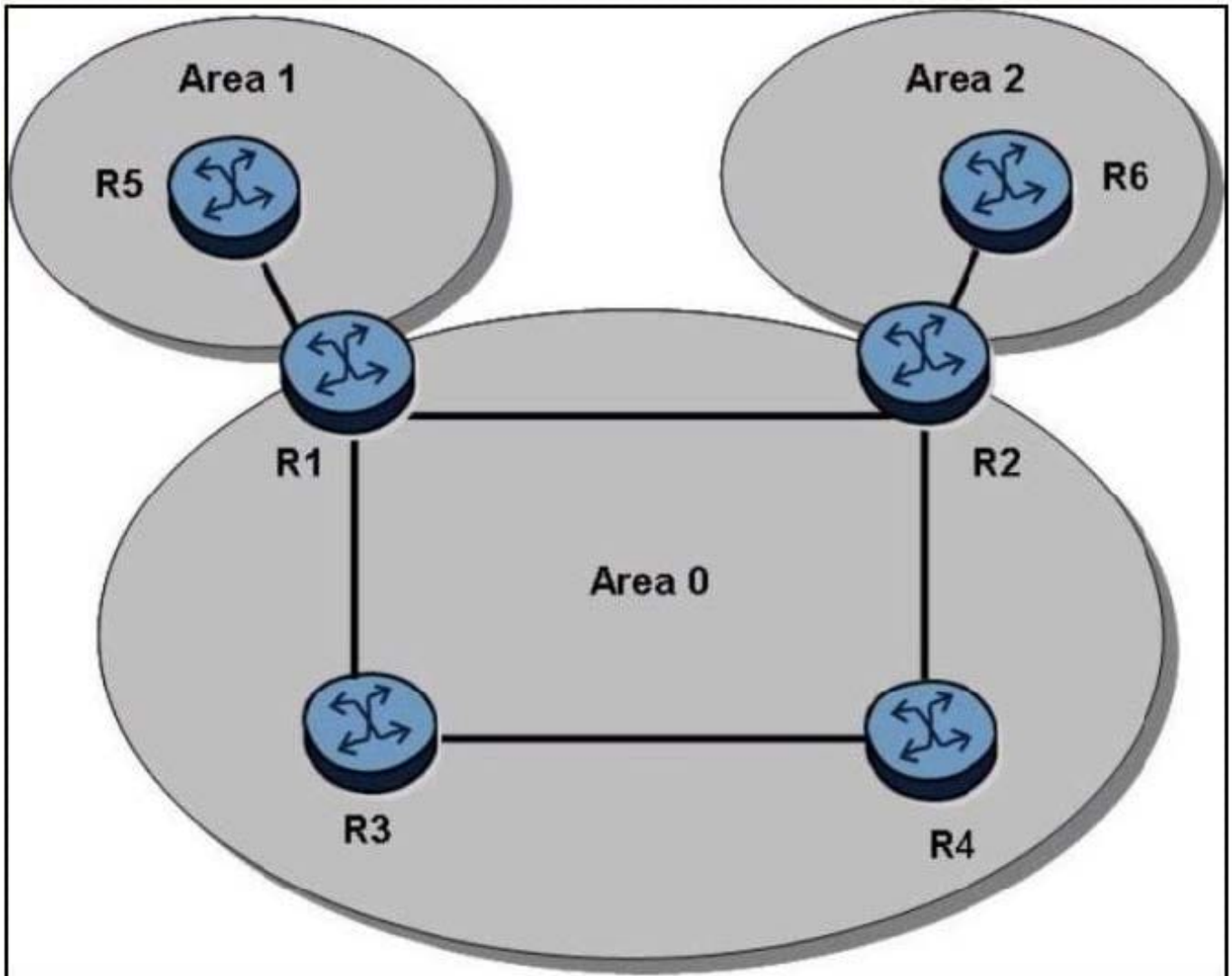
-  **Instant Download** After Purchase
-  **100% Money Back** Guarantee
-  **365 Days** Free Update
-  **800,000+** Satisfied Customers





QUESTION 1

Refer to the exhibit.



Assume that OSPFv3 is properly configured on all routers and that R4 advertises its system prefix into Area 0. Which of the following statements best describes how R5 learns R4's IPv6 system prefix?

- A. With a Router LSA originated by R1
- B. With a Router LSA originated by R5
- C. With a Router LSA originated by R4
- D. With an Inter-Area Prefix LSA originated by R1
- E. With an Inter-Area Prefix LSA originated by R5
- F. With an Inter-Area Prefix LSA originated by R4

Correct Answer: D



QUESTION 2

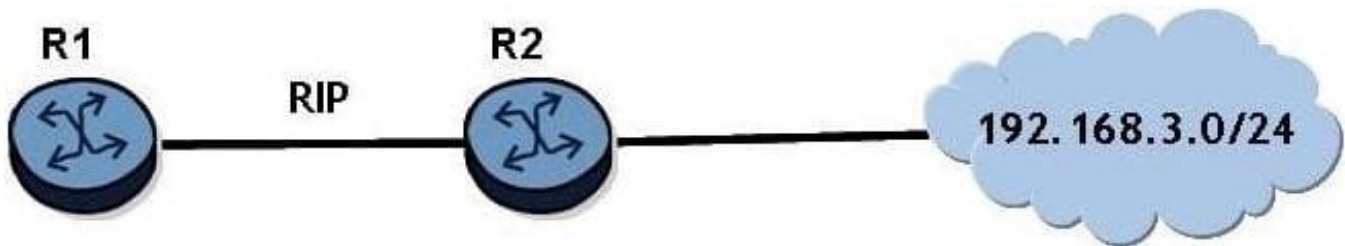
What are the default Hello and Dead timer intervals for OSPF on the Alcatel-Lucent 7750 SR?

- A. 5 and 15 seconds
- B. 10 and 30 seconds
- C. 5 and 20 seconds
- D. 10 and 40 seconds

Correct Answer: D

QUESTION 3

Click the exhibit button.



Router R2 advertises the network 192.168.3.0/24 to router R1 via RIP. How can router R1 ensure that it discards the route?

- A. Use an import policy and a prefix list on router R1 to reject this route.
- B. Use a prefix list on router R1 to discard all ingress IS-IS routes.
- C. Use an export policy and prefix list on router R1 to reject this route.
- D. This is not possible because RIP cannot use import policies.

Correct Answer: A

QUESTION 4

Which of the following about dot1Q SAPs is FALSE?

- A. The dot1Q default SAP (port: *) can be used to pass VLAN tags transparently through a network.
- B. The dot1Q null SAP (port: 0) accepts all tagged frames and untagged frames.
- C. The dot1Q default SAP (port: *) accepts all untagged frames and any frames with tag values that are not used as a service-delimiting value on another SAP.



D. A dot1q null SAP (port: 0) and a dot1q default SAP (port: *) cannot both be defined on the same port.

Correct Answer: B

QUESTION 5

SAPs in an Epipe service can only be configured on Ethernet ports

A. TRUE

B. FALSE

Correct Answer: B

[4A0-C01 PDF Dumps](#)

[4A0-C01 Study Guide](#)

[4A0-C01 Braindumps](#)