



4A0-C01^{Q&As}

Nokia NRS II Composite Exam

Pass Nokia 4A0-C01 Exam with 100% Guarantee

Free Download Real Questions & Answers **PDF** and **VCE** file from:

<https://www.geekcert.com/4a0-c01.html>

100% Passing Guarantee
100% Money Back Assurance

Following Questions and Answers are all new published by Nokia
Official Exam Center

-  **Instant Download** After Purchase
-  **100% Money Back** Guarantee
-  **365 Days** Free Update
-  **800,000+** Satisfied Customers





QUESTION 1

Which of the following about IS-IS Traffic Engineering on a Nokia 7750 SR is FALSE?

- A. Traffic engineering information is carried in the extended TLVs.
- B. Traffic engineering must be enabled on all IP/MPLS routers along the LSP path.
- C. Traffic engineering information is stored in the opaque database.
- D. Traffic engineering is required for constraint-based LSPs.

Correct Answer: C

QUESTION 2

Static routing is to be used in a network between a corporate head office with many connected networks and a branch office with one connection to the head office. Which of the following is the most likely configuration on the head office and branch office routers?

- A. The head office has a default route and the branch office has a specific static route.
- B. The head office and the branch offices both have specific static routes.
- C. The head office and the branch office both have default routes.
- D. The head office has a specific static route and the branch office has a default route

Correct Answer: D

QUESTION 3

What MPLS function should be performed by a router that receives a data packet containing an MPLS label value of 3?

- A. A router will never receive a packet containing this label value.
- B. Request a new label from the peer that provided this label.
- C. Pop the label.
- D. PUSH an additional label onto the label stack.
- E. Signal a new label to the peer that sent the packet.

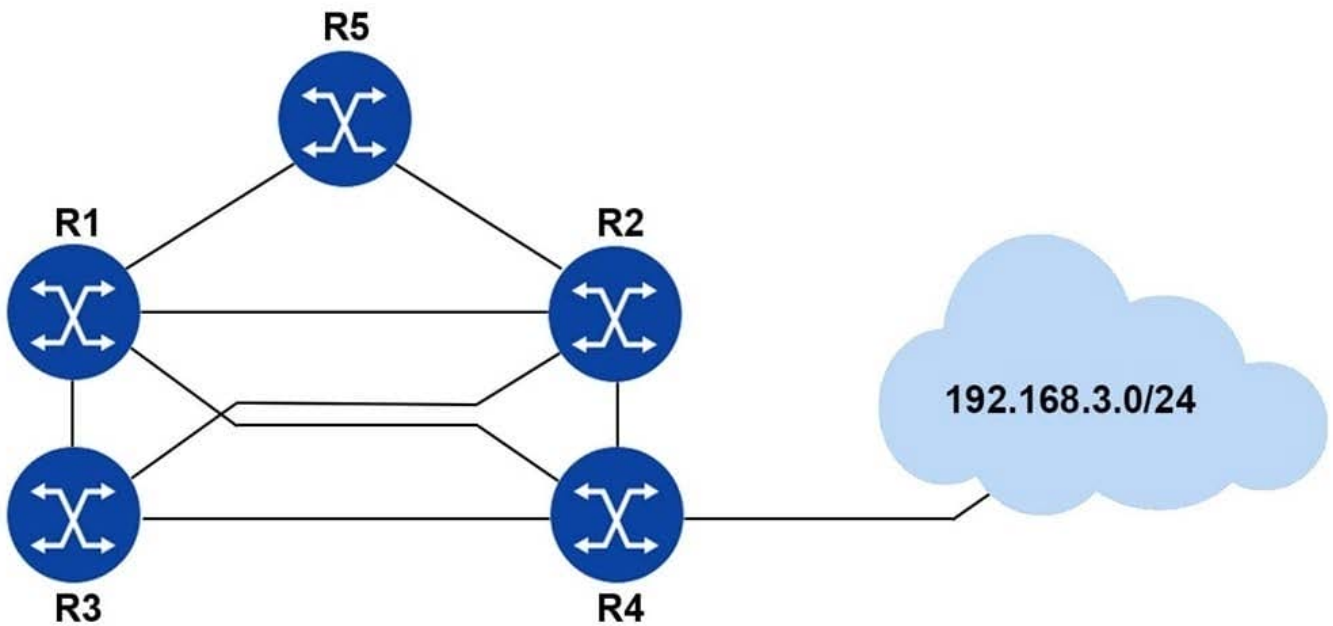
Correct Answer: A

QUESTION 4

OSPF is operational on all links in the network diagram, all links have the same cost and all routers are configured with



an ECMP value of 4. Router R4 advertises the prefix 192.168.3.0/24 into OSPF. How many entries for prefix 192.168.3.0/24 will be in router R1's routing table.



- A. 0
- B. 1
- C. 2
- D. 3
- E. 4

Correct Answer: B

QUESTION 5

The SAP 1/1/1:2.3 receives an untagged Ethernet frame. Which of the following is TRUE?

- A. The frame is dropped.
- B. VLAN tags 2 and 3 are added to the frame.
- C. Only outer VLAN tag 2 is added.
- D. Only inner VLAN tag 3 is added.

Correct Answer: A