



5V0-11.21^{Q&As}

VMware Cloud on AWS Master Specialist

Pass VMware 5V0-11.21 Exam with 100% Guarantee

Free Download Real Questions & Answers **PDF** and **VCE** file from:

<https://www.geekcert.com/5v0-11-21.html>

100% Passing Guarantee
100% Money Back Assurance

Following Questions and Answers are all new published by VMware
Official Exam Center

-  **Instant Download** After Purchase
-  **100% Money Back** Guarantee
-  **365 Days** Free Update
-  **800,000+** Satisfied Customers





QUESTION 1

A company is operating a main data center and two smaller data centers in branch offices. The main data center is being replicated to a disaster recovery site at a co-located data center with a recovery point objective (RPO) of five minutes and a recovery time objective (RTO) of two hours. The branch data centers are shipping backup tapes to the main data center on a weekly basis. What would be a cost-efficient VMware solution that would improve RTO and RPO for the branch office data centers while maintaining the recovery time for the main data center?

- A. Create a software-defined data center (SDDC) in VMware Cloud on AWS. Create a shared content library and let the branch offices subscribe to it. Export the virtual machines in the branch offices to OVF files on the shared content library on a weekly basis.
- B. Create a software-defined data center (SDDC) in VMware Cloud on AWS. Migrate the disaster recovery solution from the co-located data center to the VMware Cloud on AWS SDDC. Create regular copies of the virtual machines at the branch offices and use AWS Snowball to directly ship the copies to an AWS data center and store them on AWS S3 buckets.
- C. Create a software-defined data center (SDDC) in VMware Cloud on AWS. Activate VMware Site Recovery. Replace the co-located disaster recovery (DR) site for the main data center with VMware Site Recovery. For the branch offices, implement VMware Cloud Disaster Recovery (VCDR).
- D. Create a software-defined data center (SDDC) in VMware Cloud on AWS. Replace the co-located site for the main data center and the backup tape shipping for the branch offices with VMware Cloud Disaster Recovery (VCDR).

Correct Answer: A

QUESTION 2

An administrator is trying to identify how many hosts will be required to evacuate a cluster from an existing data center and relocate those workloads into VMware Cloud on AWS. The cluster runs a variety of workloads for the corporate customer relationship management system. Which three profiles could the administrator create in the VMware Cloud on AWS Sizer? (Choose three.)

- A. Databases ?Oracle
- B. Databases ?Microsoft SQL Server
- C. General Purpose (Application VMs)
- D. VDI ?Instant Clone
- E. VDI ?Full Clone
- F. General Purpose (General VMs)

Correct Answer: BEF

QUESTION 3

What are three benefits of using VMware Cloud on AWS? (Choose three.)

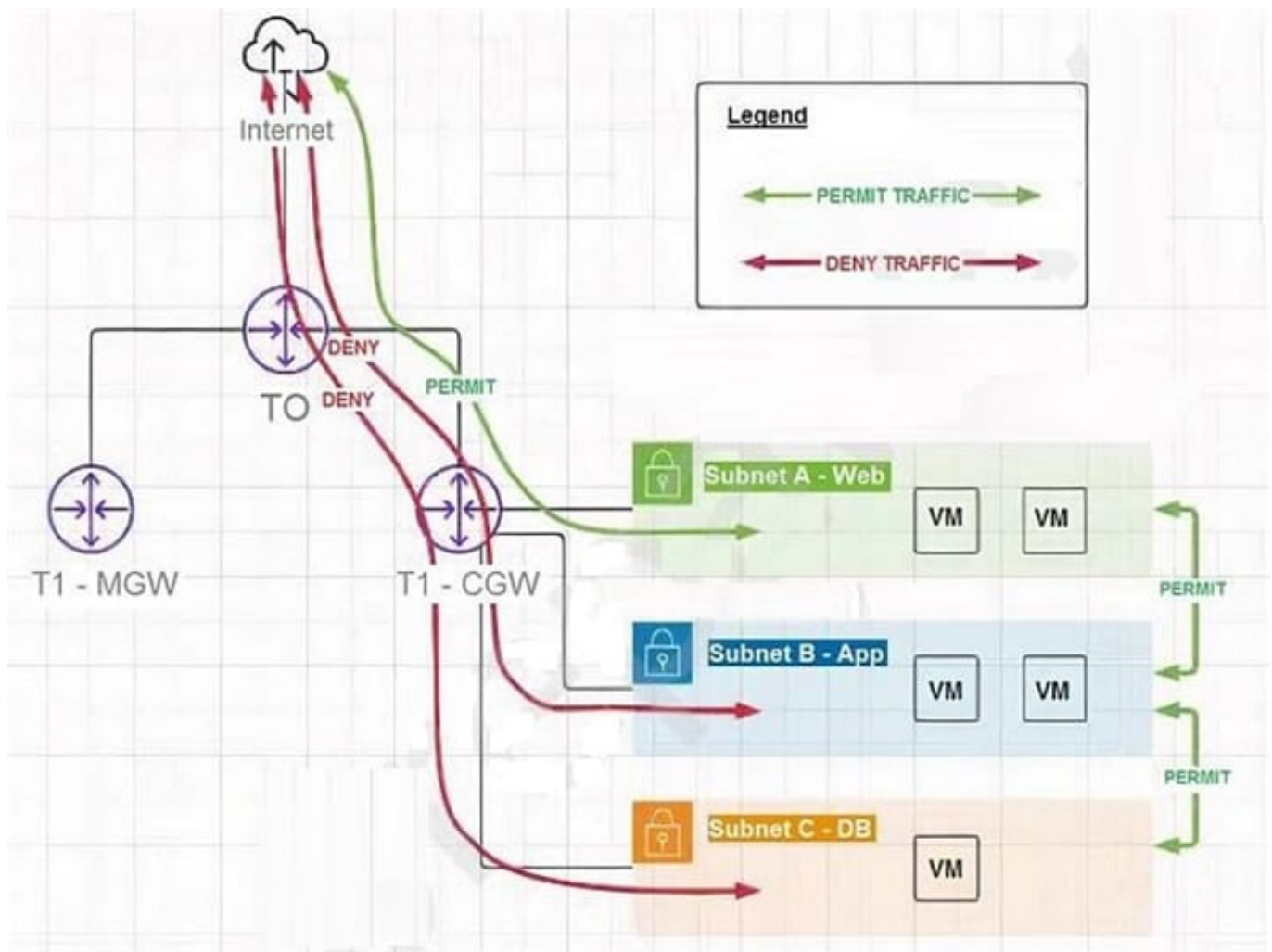


- A. With VMware Cloud on AWS, IT teams can manage their VMware Cloud on AWS resources with familiar VMware tools.
- B. With VMware Cloud on AWS, IT teams can manage their native AWS resources with familiar VMware tools.
- C. VMware Cloud on AWS supports optimized virtual AWS Elastic Compute Cloud (EC2) instances.
- D. Native VMware workloads can be migrated back and forth between on-premises VMware vSphere environments and VMware Cloud on AWS.
- E. With VMware Cloud on AWS, VMware and AWS administrators will manage, maintain and update all virtual machines.
- F. Native AWS services can be consumed over the global AWS backbone with high bandwidth and low latency.

Correct Answer: ACE

QUESTION 4

Refer to the exhibit.



How would an administrator accomplish the given configuration leveraging the firewall capabilities within VMware Cloud



on AWS?

A. Create a gateway firewall rule permitting bi-directional traffic to Subnet A from the Internet. Create a gateway firewall rule denying bi-directional traffic to Subnet B and Subnet C from the Internet. Create a distributed firewall rule under the Application category to permit bi-directional traffic from Subnet A to Subnet B and from Subnet B to Subnet C.

B. Create a gateway firewall rule permitting bi-directional traffic to Subnet A from the Internet. Create a distributed firewall rule denying bi-directional traffic to Subnet B and Subnet C from the Internet. Create a distributed firewall rule under the Ethernet category to permit bi-directional traffic from Subnet A to Subnet B and from Subnet B to Subnet C.

C. Create a gateway firewall rule permitting bi-directional traffic to Subnet A from the Internet. Create a gateway firewall rule denying bi-directional traffic from the Internet to all subnets.

Create a distributed firewall rule under the Infrastructure category to permit bi-directional traffic from Subnet A to Subnet B and from Subnet B to Subnet C.

D. Create a gateway firewall rule permitting bi-directional traffic to Subnet A from the Internet. Create a gateway firewall rule denying bi-directional traffic to Subnet B and Subnet C from the Internet. Create a gateway firewall rule to permit bi-directional traffic from Subnet A to Subnet B and from Subnet B to Subnet C.

Correct Answer: A

QUESTION 5

An administrator would like their VMware Cloud on AWS software-defined data center (SDDC) cluster to scale down a host when CPU utilization drops below 60%. Which Elastic DRS policy should be selected?

A. Optimize for Lowest Cost

B. Optimize for Best Performance

C. Default Storage Scale-Out

D. Optimize for Rapid Scale-Out

Correct Answer: A

[Latest 5V0-11.21 Dumps](#)

[5V0-11.21 Study Guide](#)

[5V0-11.21 Braindumps](#)