



# 600-660<sup>Q&As</sup>

Implementing Cisco Application Centric Infrastructure - Advanced

## Pass Cisco 600-660 Exam with 100% Guarantee

Free Download Real Questions & Answers **PDF** and **VCE** file from:

<https://www.geekcert.com/600-660.html>

100% Passing Guarantee  
100% Money Back Assurance

Following Questions and Answers are all new published by Cisco  
Official Exam Center

-  **Instant Download** After Purchase
-  **100% Money Back** Guarantee
-  **365 Days** Free Update
-  **800,000+** Satisfied Customers





### QUESTION 1

Which two actions are the Cisco best practices to configure NIC teaming load balancing for Cisco UCS B-Series blades that are connected to the Cisco ACI leaf switches? (Choose two.)

- A. Create vPC+
- B. Enable LACP active mode
- C. Create PAgP
- D. Create vPC
- E. Enable MAC pinning

Correct Answer: BE

---

### QUESTION 2

An engineer must limit local and remote endpoint learning to the bridge domain subnet. Which action should be taken inside the Cisco APIC?

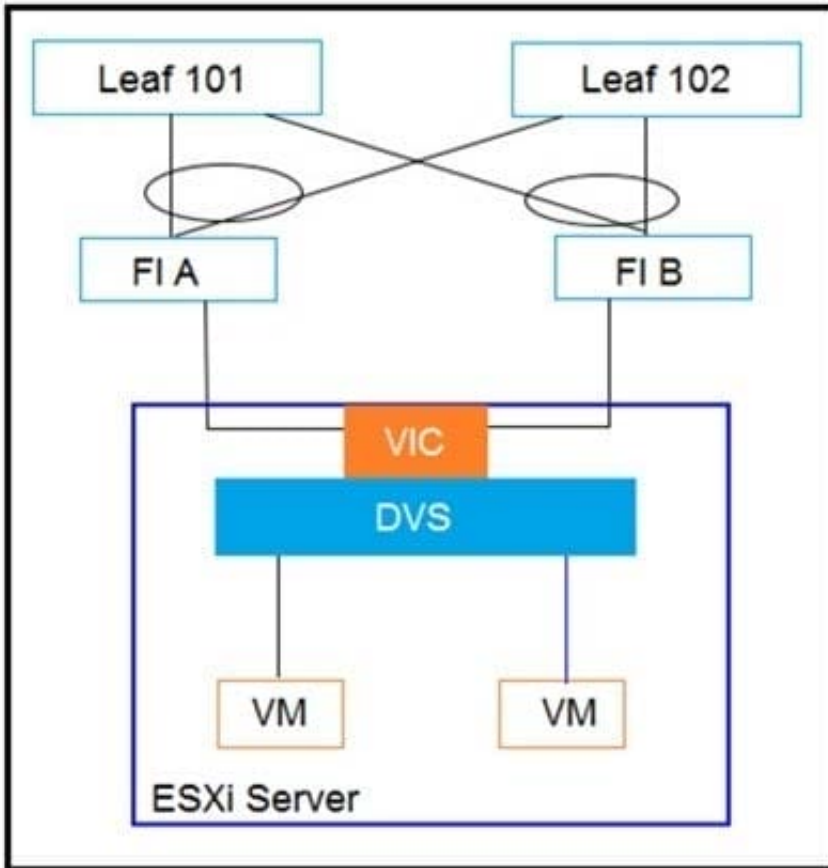
- A. Disable Remote EP Learn
- B. Enable Enforce Subnet Check
- C. Disable Endpoint Dataplane Learning
- D. Enable Limit IP Learning to Subnet

Correct Answer: B

Reference: <https://www.cisco.com/c/en/us/solutions/collateral/data-center-virtualization/application-centric-infrastructure/white-paper-c11-739989.html>

---

### QUESTION 3



Refer to the exhibit. Between Cisco UCS FIs and Cisco ACI leaf switches, CDP is disabled, the LLDP is enabled, and LACP is in Active mode. Which two discovery protocols and load-balancing mechanism combinations can be implemented for the DVS? (Choose two.)

- A. CDP enabled, LLDP disabled, and LACP Active
- B. CDP disabled, LLDP enabled, and MAC Pinning
- C. CDP enabled, LLDP disabled, and MAC Pinning
- D. CDP enabled, LLDP enabled, and LACP Active
- E. CDP enabled, LLDP disabled, and LACP Passive
- F. CDP disabled, LLDP enabled, and LACP Passive

Correct Answer: BE

#### QUESTION 4

An engineer configures a Cisco ACI Multi-Pod for disaster recovery. Which action should be taken for the new nodes to be discoverable by the existing Cisco APICs?

- A. Enable subinterfaces with dot1q tagging on all links between the IPN routers.
- B. Configure IGMPv3 on the interfaces of IPN routers that face the Cisco ACI spine.



- C. Enable DHCP relay on all links that are connected to Cisco ACI spines on IPN devices.
- D. Configure BGP as the underlay protocol in IPN.

Correct Answer: B

---

#### QUESTION 5

An organization expands a Cisco ACI Multi-Pod from two to six pods and must ensure that the control plane scales. What should be configured in the IPN to ensure that BUM traffic is forwarded efficiently across the IPN?

- A. spine headend replication
- B. BIDIR-PIM
- C. MP-BGP
- D. MSDP

Correct Answer: B

Reference: <https://www.cisco.com/c/en/us/solutions/collateral/data-center-virtualization/application-centric-infrastructure/white-paper-c11-737855.html>

[600-660 PDF Dumps](#)

[600-660 VCE Dumps](#)

[600-660 Exam Questions](#)