



640-864^{Q&As}

Designing for Cisco Internetwork Solutions

Pass Cisco 640-864 Exam with 100% Guarantee

Free Download Real Questions & Answers **PDF** and **VCE** file from:

<https://www.geekcert.com/640-864.html>

100% Passing Guarantee
100% Money Back Assurance

Following Questions and Answers are all new published by Cisco
Official Exam Center

-  **Instant Download** After Purchase
-  **100% Money Back** Guarantee
-  **365 Days** Free Update
-  **800,000+** Satisfied Customers





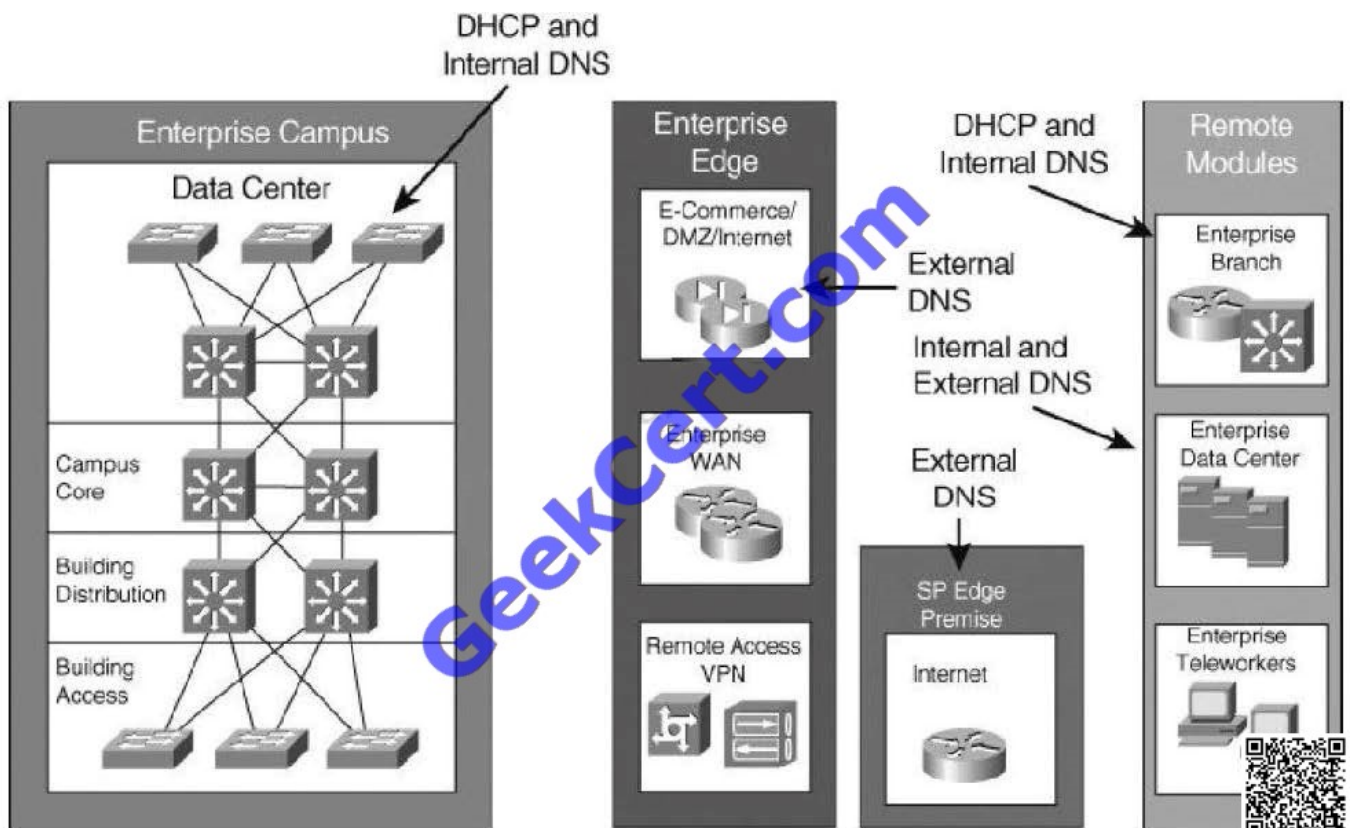
QUESTION 1

Which statement describes the recommended deployment of DNS and DHCP servers in the Cisco Network Architecture for the Enterprise?

- A. Place the DHCP and DNS servers in the Enterprise Campus Access layer and Enterprise branch.
- B. Place the DHCP and DNS servers in the Enterprise Campus Server Farm layer and Enterprise branch.
- C. Place the DHCP server in the Enterprise Campus Core layer and Remote Access_VPN module with the DNS server in the Internet Connectivity module.
- D. Place the DHCP server in the Enterprise Campus Distribution layer with the DNS server in the Internet Connectivity module.

Correct Answer: B

Explanation: For the Enterprise Campus, DHCP and internal DNS servers should be located in the Server Farm and they should be redundant. External DNS servers can be placed redundantly at the service provider facility and at the Enterprise branch.



QUESTION 2

A network engineer is using the Cisco enterprise architecture model. In what module do network management servers reside?

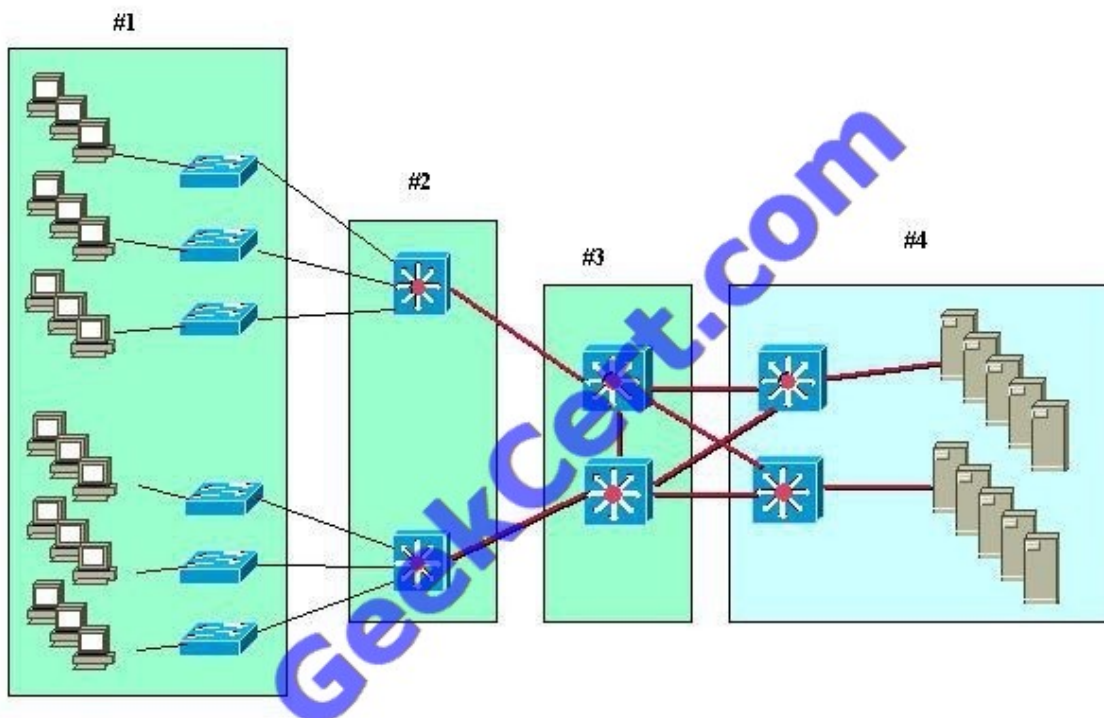


- A. Enterprise Campus
- B. Enterprise Edge
- C. Remote Modules
- D. SP Edge WAN/internet

Correct Answer: A

QUESTION 3

Refer to the exhibit.



A standard, Layer 2 campus network design is pictured. Which numbered box represents the distribution layer?

- A. #1
- B. #2
- C. #3



D. #4

Correct Answer: D

QUESTION 4

A campus network needs end-to-end QoS tools to manage traffic and ensure voice quality. Which three types of QoS tools are needed? (Choose three.)

- A. interface queuing and scheduling
- B. congestion management
- C. compression and fragmentation
- D. bandwidth provisioning
- E. traffic classification
- F. buffer management

Correct Answer: ADE

QUESTION 5

What characteristic separates link state routing protocols from a distance vector?

- A. creates a topological view of the entire network
- B. path calculation utilizes a more granular metric
- C. does not scale well for large networks
- D. constantly shares link state updates throughout the topology

Correct Answer: A

[640-864 VCE Dumps](#)

[640-864 Exam Questions](#)

[640-864 Braindumps](#)



To Read the [Whole Q&As](#), please purchase the [Complete Version](#) from [Our website](#).

Try our product !

- 100% Guaranteed Success
- 100% Money Back Guarantee
- 365 Days Free Update
- Instant Download After Purchase
- 24x7 Customer Support
- Average 99.9% Success Rate
- More than 800,000 Satisfied Customers Worldwide
- Multi-Platform capabilities - [Windows](#), [Mac](#), [Android](#), [iPhone](#), [iPod](#), [iPad](#), [Kindle](#)

We provide exam PDF and VCE of Cisco, Microsoft, IBM, CompTIA, Oracle and other IT Certifications. You can view Vendor list of All Certification Exams offered:

<https://www.geekcert.com/allproducts>

Need Help

Please provide as much detail as possible so we can best assist you.
To update a previously submitted ticket:



 <p>One Year Free Update Free update is available within One Year after your purchase. After One Year, you will get 50% discounts for updating. And we are proud to boast a 24/7 efficient Customer Support system via Email.</p>	 <p>Money Back Guarantee To ensure that you are spending on quality products, we provide 100% money back guarantee for 30 days from the date of purchase.</p>	 <p>Security & Privacy We respect customer privacy. We use McAfee's security service to provide you with utmost security for your personal information & peace of mind.</p>
---	---	--

Any charges made through this site will appear as Global Simulators Limited.
All trademarks are the property of their respective owners.
Copyright © geekcert, All Rights Reserved.