



642-437^{Q&As}

Implementing Cisco Unified Communications Voice over IP and QoS
v8.0 (CVOICE v8.0)

Pass Cisco 642-437 Exam with 100% Guarantee

Free Download Real Questions & Answers **PDF** and **VCE** file from:

<https://www.geekcert.com/642-437.html>

100% Passing Guarantee
100% Money Back Assurance

Following Questions and Answers are all new published by Cisco
Official Exam Center

-  **Instant Download** After Purchase
-  **100% Money Back** Guarantee
-  **365 Days** Free Update
-  **800,000+** Satisfied Customers





QUESTION 1

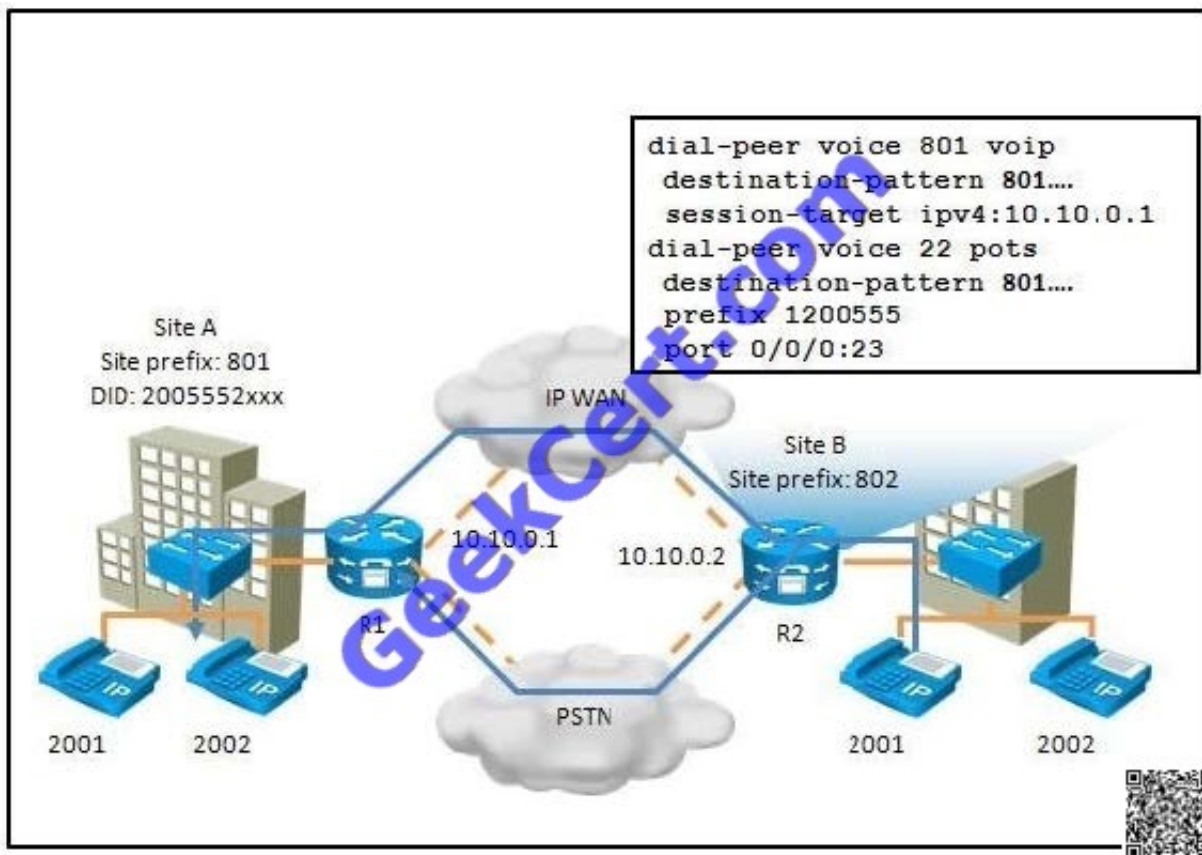
Which three factors must be considered when calculating the total bandwidth of a VoIP call, in order to avoid voice quality issues? (Choose three.)

- A. codec size
- B. CRC usage
- C. data-link overhead
- D. sample size
- E. capacity of network links

Correct Answer: ACD

QUESTION 2

Refer to the exhibit.



What happens when users at Site B place calls to Site A when the IP WAN is operational?

- A. The calls will always take the IP WAN route.

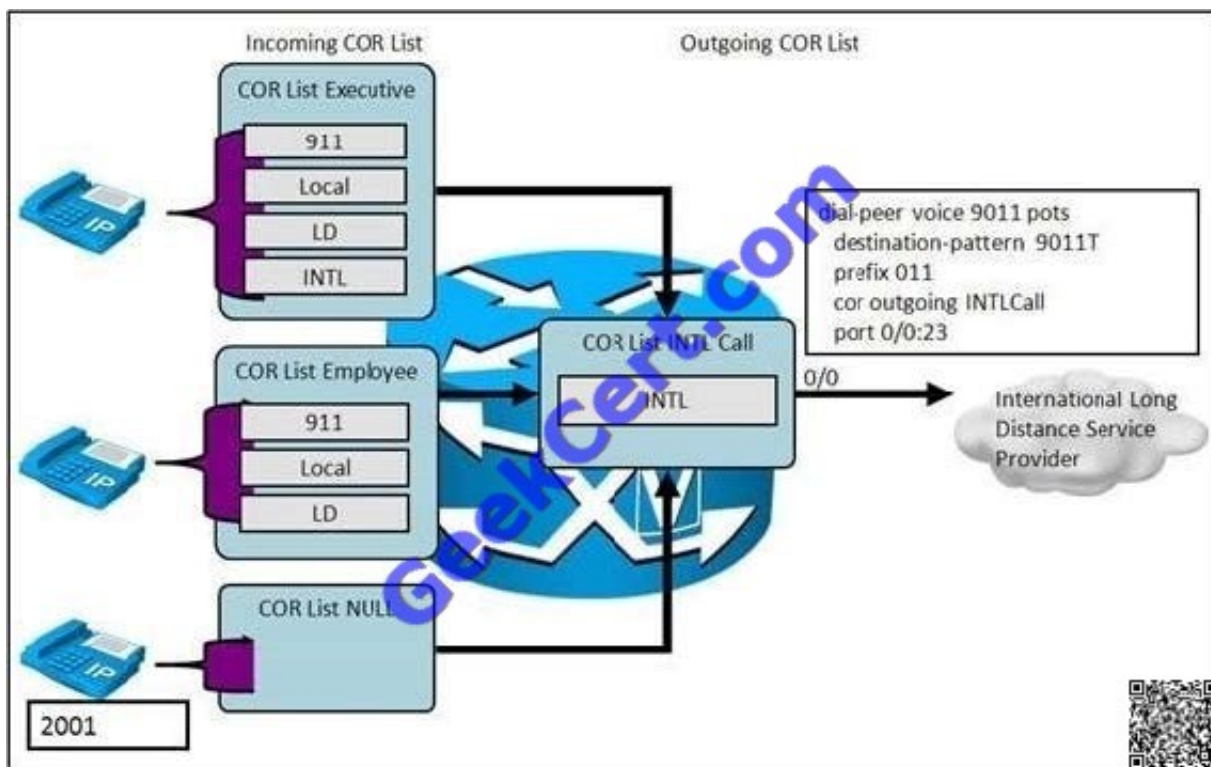


- B. The calls will always take the PSTN route.
- C. The calls will fail because the destination patterns are identical.
- D. The calls will use round-robin scheduling between the IP WAN and PSTN paths.
- E. The calls will use the IP WAN route unless there is a failure or congestion during which the calls will reroute via the PSTN.

Correct Answer: D

QUESTION 3

Refer to the exhibit. When an international call to 90114989531212001 is placed from extension 2001, which of the following statements is true?



- A. The call will fail because no incoming COR list is applied.
- B. The call will succeed because the incoming COR list is a superset of the outgoing COR list.
- C. The call will fail because the incoming COR list is not a superset of the outgoing COR list
- D. The call will succeed because the incoming COR list has the highest priority, by default, when no incoming COR list is applied.

Correct Answer: D

Explanation: By default, an incoming call leg has the highest COR priority and the outgoing COR list has the lowest COR priority. This means that if there is no COR configuration for incoming calls on a dial-peer, then you can make a call from this dial-peer (a phone attached to this dial-peer) going out of any other dial-peer, irrespective of the COR



configuration on that dial-peer.

http://www.cisco.com/en/US/tech/tk652/tk90/technologies_configuration_example09186a00801_9d649.shtml

QUESTION 4

What does the show voice port summary command do when verifying analog and digital voice port configurations?

- A. Identifies the port numbers of voice interfaces that are installed on a router.
- B. Checks DTMF detection.
- C. Checks dial tone.
- D. Verifies voice port parameter settings.

Correct Answer: A

QUESTION 5

Which three Cisco IOS commands are required to configure a voice gateway as a DHCP server to support a data subnet with the IP address of 10.1.30.0/24 and a default gateway of 10.1.30.1/24? (Choose three.)

- A. ip dhcp pool
- B. subnet 10.1.30.1 255.255.255.0
- C. ip dhcp pool data
- D. network 10.1.30.1/24
- E. network 10.1.30.0 255.255.255.0
- F. default-gw 10.1.30.1/24
- G. default-router 10.1.30.1

Correct Answer: CEG

1) To configure the DHCP address pool name and enter DHCP pool configuration mode, use the following command in global configuration mode:

Router(config)# ip dhcp pool name - Creates a name for the DHCP Server address pool and places you in DHCP pool configuration mode

2) To configure a subnet and mask for the newly created DHCP address pool, which contains the range of available IP addresses that the DHCP Server may assign to clients, use the following command in DHCP pool configuration mode:

Router(dhcp-config)# network network-number [mask | /prefix-length] - Specifies the subnet network number and mask of the DHCP address pool. The prefix length specifies the number of bits that comprise the address prefix. The prefix is

an alternative way of specifying the network mask of the client. The prefix length must be preceded by a forward slash (/).



3) After a DHCP client has booted, the client begins sending packets to its default router. The IP address of the default router should be on the same subnet as the client. To specify a default router for a DHCP client, use the following

command in DHCP pool configuration mode:

Router(dhcp-config)# default-router address [address2 ... address8] - Specifies the IP address of the default router for a DHCP client. One IP address is required; however, you can specify up to eight addresses in one command line.

http://www.cisco.com/en/US/docs/ios/12_2/ip/configuration/guide/1cfdhcp.html#wp1000999

[Latest 642-437 Dumps](#)

[642-437 PDF Dumps](#)

[642-437 Practice Test](#)



To Read the [Whole Q&As](#), please purchase the [Complete Version](#) from [Our website](#).

Try our product !

100% Guaranteed Success

100% Money Back Guarantee

365 Days Free Update

Instant Download After Purchase

24x7 Customer Support

Average 99.9% Success Rate

More than 800,000 Satisfied Customers Worldwide

Multi-Platform capabilities - [Windows](#), [Mac](#), [Android](#), [iPhone](#), [iPod](#), [iPad](#), [Kindle](#)

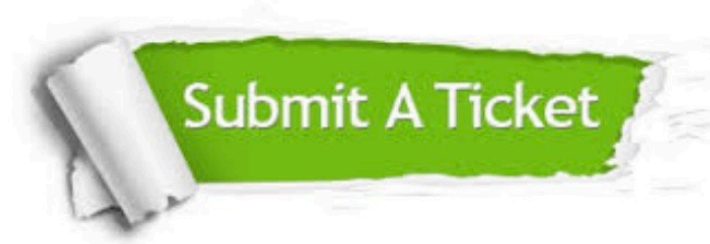
We provide exam PDF and VCE of Cisco, Microsoft, IBM, CompTIA, Oracle and other IT Certifications. You can view Vendor list of All Certification Exams offered:

<https://www.geekcert.com/allproducts>

Need Help

Please provide as much detail as possible so we can best assist you.

To update a previously submitted ticket:



 <p>One Year Free Update Free update is available within One Year after your purchase. After One Year, you will get 50% discounts for updating. And we are proud to boast a 24/7 efficient Customer Support system via Email.</p>	 <p>Money Back Guarantee To ensure that you are spending on quality products, we provide 100% money back guarantee for 30 days from the date of purchase.</p>	 <p>Security & Privacy We respect customer privacy. We use McAfee's security service to provide you with utmost security for your personal information & peace of mind.</p>
---	---	--

Any charges made through this site will appear as Global Simulators Limited.

All trademarks are the property of their respective owners.

Copyright © geekcert, All Rights Reserved.