



642-618^{Q&As}

Deploying Cisco ASA Firewall Solutions (FIREWALL v2.0)

Pass Cisco 642-618 Exam with 100% Guarantee

Free Download Real Questions & Answers **PDF** and **VCE** file from:

<https://www.geekcert.com/642-618.html>

100% Passing Guarantee
100% Money Back Assurance

Following Questions and Answers are all new published by Cisco
Official Exam Center

-  **Instant Download** After Purchase
-  **100% Money Back** Guarantee
-  **365 Days** Free Update
-  **800,000+** Satisfied Customers





QUESTION 1

On Cisco ASA Software Version 8.4.1, which four inspections are enabled by default in the global policy? (Choose four.)

- A. HTTP
- B. ESMTP
- C. SKINNY
- D. ICMP
- E. TFTP
- F. SIP

Correct Answer: BCEF

http://www.cisco.com/en/US/docs/security/asa/asa82/configuration/guide/inspect_overview.html

QUESTION 2

In one custom dynamic application, the inside client connects to an outside server using TCP port 4444 and negotiates return client traffic in the port range of 5000 to 5500. The server then starts streaming UDP data to the client on the negotiated port in the specified range.

Which Cisco ASA feature or command supports this custom dynamic application?

- A. TCP normalizer
- B. TCP intercept
- C. ip verify command
- D. established command
- E. tcp-map and tcp-options commands
- F. set connection advanced-options command

Correct Answer: D

<http://www.cisco.com/en/US/docs/security/asa/asa72/configuration/guide/int5505.html>

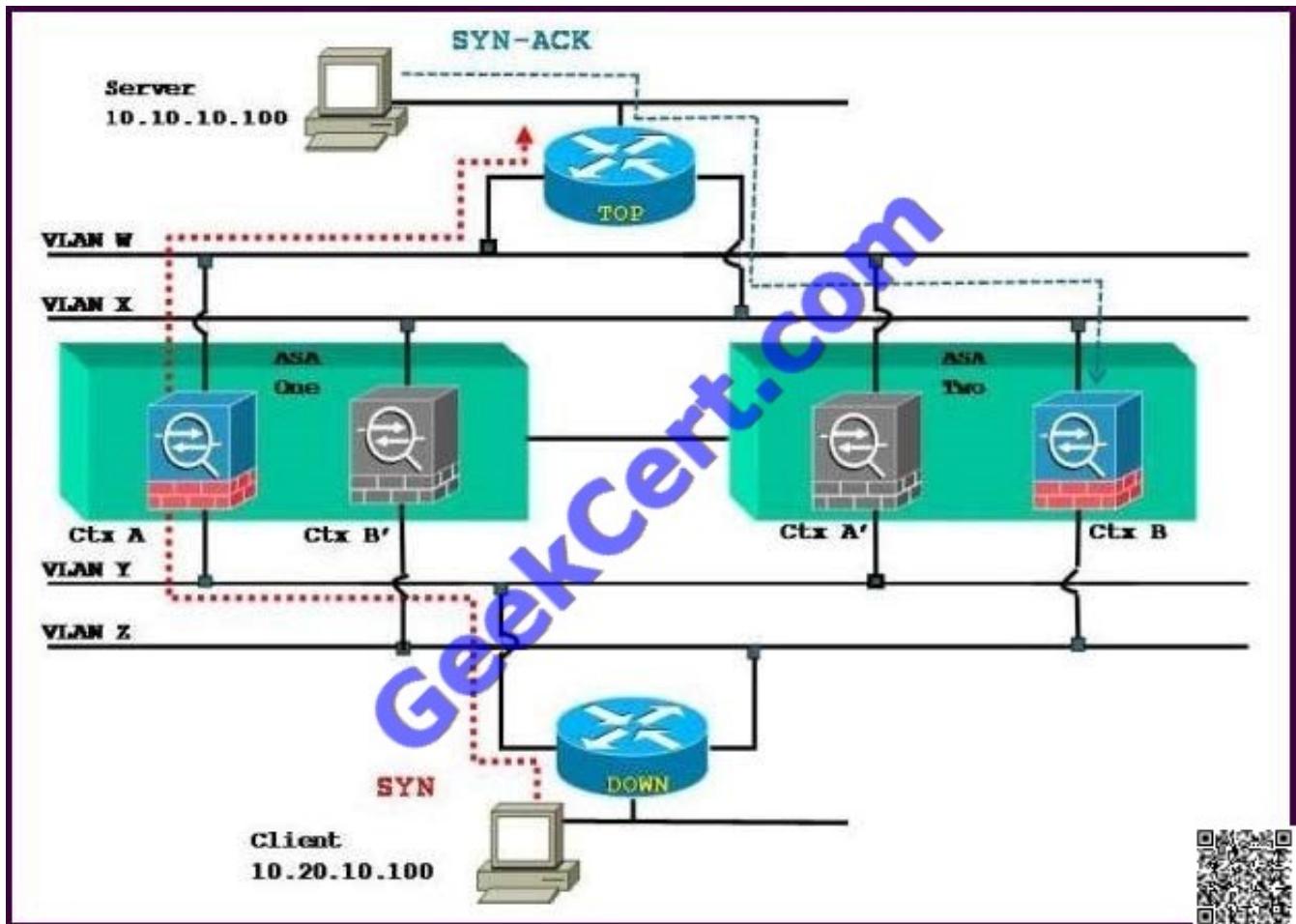
Established command--This command allows return connections from a lower security host to a higher security host if there is already an established connection from the higher level host to the lower level host.

For same security interfaces, you can configure established commands for both directions.

QUESTION 3



Refer to the exhibit.



Which two configurations are required on the Cisco ASAs so that the return traffic from the 10.10.10.100 outside server back to the 10.20.10.100 inside client can be rerouted from the Active Ctx B context in ASA Two to the Active Ctx A context in ASA One? (Choose two.)

- A. stateful active/active failover
- B. dynamic routing (EIGRP or OSPF or RIP)
- C. ASR-group
- D. no NAT-control
- E. policy-based routing
- F. TCP/UDP connections replication

Correct Answer: AC

http://www.cisco.com/en/US/docs/security/asa/asa82/configuration/guide/ha_active_active.html

Configuring Support for Asymmetrically Routed Packets When running in Active/Active failover, a unit may receive a return packet for a connection that originated through its peer unit. Because the ASA that receives the packet does not have any connection information for the packet, the packet is dropped. This most commonly occurs when the two ASAs in an Active/Active failover pair are connected to different service providers and the outbound connection does not use a



NAT address.

You can prevent the return packets from being dropped using the `asr-group` command on interfaces where this is likely to occur. When an interface configured with the `asr-group` command receives a packet for which it has no session information, it checks the session information for the other interfaces that are in the same group. If it does not find a match, the packet is dropped. If it finds a match, then one of the following actions occurs:

-If the incoming traffic originated on a peer unit, some or all of the layer 2 header is rewritten and the packet is redirected to the other unit. This redirection continues as long as the session is active. -If the incoming traffic originated on a different interface on the same unit, some or all of the layer 2 header is rewritten and the packet is reinjected into the stream.

QUESTION 4

Refer to the exhibit.



Which command options represent the inside local address, inside global address, outside local address, and outside global address?

- A. 1 = outside local, 2 = outside global, 3 = inside global, 4 = inside local
- B. 1 = outside local, 2 = outside global, 3 = inside local, 4 = inside global
- C. 1 = outside global, 2 = outside local, 3 = inside global, 4 = inside local
- D. 1 = inside local, 2 = inside global, 3 = outside global, 4 = outside local
- E. 1 = inside local, 2 = inside global, 3 = outside local, 4 = outside global

Correct Answer: D

Cisco twice NAT

```
nat [(real_ifc,mapped_ifc)] [line | {after-object [line]] source static {nw_obj nw_obj | any any} [destination static {mapped_obj | interface} real_obj] [service real_src_mapped_dest_svc_obj mapped_src_real_dest_svc_obj] [no-proxy-arp] [routelookup] [inactive] [description desc]
```

Example:

```
hostname(config)# nat (inside,outside) source static MyInsNet MyInsNet destination static Server1 Server1
```

QUESTION 5

Refer to the exhibit.



On Cisco ASA Software Version 8.3 and later, which two sets of CLI configuration commands result from this Cisco ASDM configuration? (Choose two.)

- A. nat (inside) 1 10.1.1.10 global (outside) 1 192.168.1.1
- B. nat (outside) 1 192.168.1.1 global (inside 1 10.1.1.10
- C. static(inside,outside) 192.168.1.1 10.1.1.10 netmask 255.255.255.255 tcp 0 0 udp 0
- D. static(inside,outside) tcp 192.168.1.1 80 10.1.1.10 80
- E. object network 192.168.1.1 nat (inside,outside) static 10.1.1.10
- F. object network 10.1.1.10 nat (inside,outside) static 192.168.1.1
- G. access-list outside_access_in line 1 extended permit tcp any object 10.1.1.10 eq http access-group outside_access_in in interface outside
- H. access-list outside_access_in line 1 extended permit tcp any object 192.168.1.1 eq http access-group outside_access_in in interface outside

Correct Answer: FG



To Read the [Whole Q&As](#), please purchase the [Complete Version](#) from [Our website](#).

Try our product !

100% Guaranteed Success
100% Money Back Guarantee
365 Days Free Update
Instant Download After Purchase
24x7 Customer Support
Average 99.9% Success Rate
More than 800,000 Satisfied Customers Worldwide
Multi-Platform capabilities - [Windows](#), [Mac](#), [Android](#), [iPhone](#), [iPod](#), [iPad](#), [Kindle](#)

We provide exam PDF and VCE of Cisco, Microsoft, IBM, CompTIA, Oracle and other IT Certifications.
You can view Vendor list of All Certification Exams offered:

<https://www.geekcert.com/allproducts>

Need Help

Please provide as much detail as possible so we can best assist you.
To update a previously submitted ticket:



 <p>One Year Free Update Free update is available within One Year after your purchase. After One Year, you will get 50% discounts for updating. And we are proud to boast a 24/7 efficient Customer Support system via Email.</p>	 <p>Money Back Guarantee To ensure that you are spending on quality products, we provide 100% money back guarantee for 30 days from the date of purchase.</p>	 <p>Security & Privacy We respect customer privacy. We use McAfee's security service to provide you with utmost security for your personal information & peace of mind.</p>
---	---	--

Any charges made through this site will appear as Global Simulators Limited.
All trademarks are the property of their respective owners.
Copyright © geekcert, All Rights Reserved.