



642-999^{Q&As}

Implementing Cisco Data Center Unified Computing

Pass Cisco 642-999 Exam with 100% Guarantee

Free Download Real Questions & Answers **PDF** and **VCE** file from:

<https://www.geekcert.com/642-999.html>

100% Passing Guarantee
100% Money Back Assurance

Following Questions and Answers are all new published by Cisco
Official Exam Center

-  **Instant Download** After Purchase
-  **100% Money Back** Guarantee
-  **365 Days** Free Update
-  **800,000+** Satisfied Customers





QUESTION 1

Which three components perform the port extension functions for a Cisco UCS domain? (Choose three.)

- A. the multiprotocol port on the Cisco storage
- B. the Device Manager in Cisco Prime Data Center Network Manager
- C. the Cisco UCS 2208XP IOMs
- D. the Cisco UCS Manager
- E. the Cisco Nexus 2232PP FEX
- F. the Cisco UCS VIC adapter that has VM-FEX and Adapter FEX technology

Correct Answer: ACD

QUESTION 2

Which two items represent the features of Call Home on the Cisco Unified Computing System? (Choose two.)

- A. syslog
- B. send fault details to Cisco TAC
- C. SNMP trap receiver
- D. send email alerts to administrators
- E. central repository of normalized fault data

Correct Answer: BD

QUESTION 3

Which of the following is the most accurate concerning the link configuration between Cisco Unified Computing System 22XX I/O modules and Cisco Unified Computing System 62XX Fabric Interconnects?

- A. Port channels are always recommended when using source-dest-mac load balancing.
- B. The addition of links to a port channel requires a reacknowledgement.
- C. You cannot mix and match discrete links and port channeling for different chassis when using 22XX.
- D. Port channels do not require a Global Chassis Discovery policy.

Correct Answer: A



QUESTION 4

Which consideration must be made while utilizing the UEFI boot mode?

- A. Legacy boot modes cannot be used on the same server.
- B. This mode applies only to models before the M3.
- C. The service profile cannot be disassociated without decommissioning the blade.
- D. This mode replaces the UEFI shell typically available as a boot fallback.

Correct Answer: A

QUESTION 5

Scenario

In this scenario, you will refer to screenshots about Cisco UCS B-Series servers and UCS Manager.

Instructions

To access the multiple-choice questions, click on the numbered boxes on the left of the top panel.

There are four multiple-choice questions with this task.

Be sure to answer all four questions before selecting the Next button.



DCUCI 5.0 Lab Topology—Backbone

Legend:

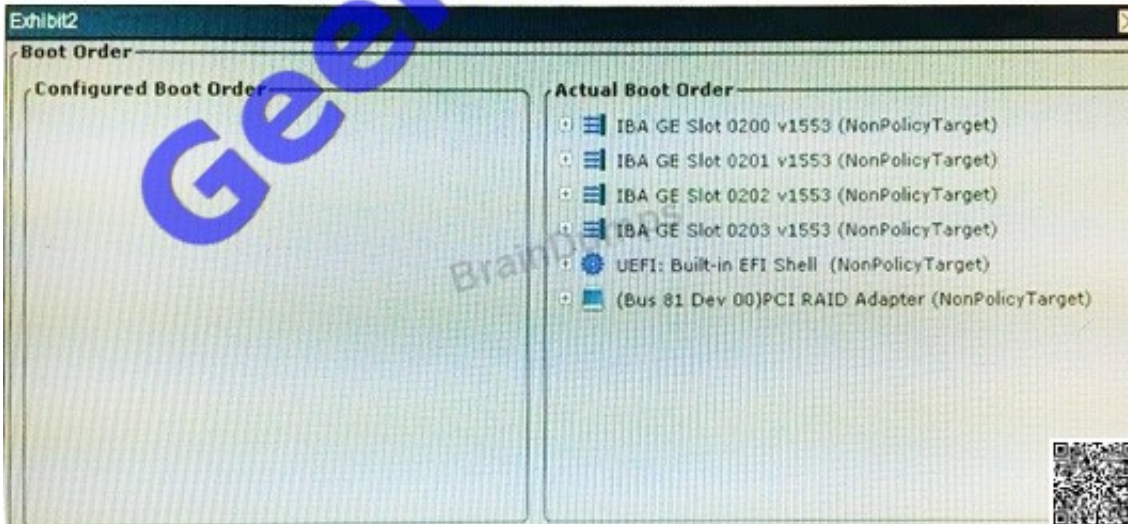
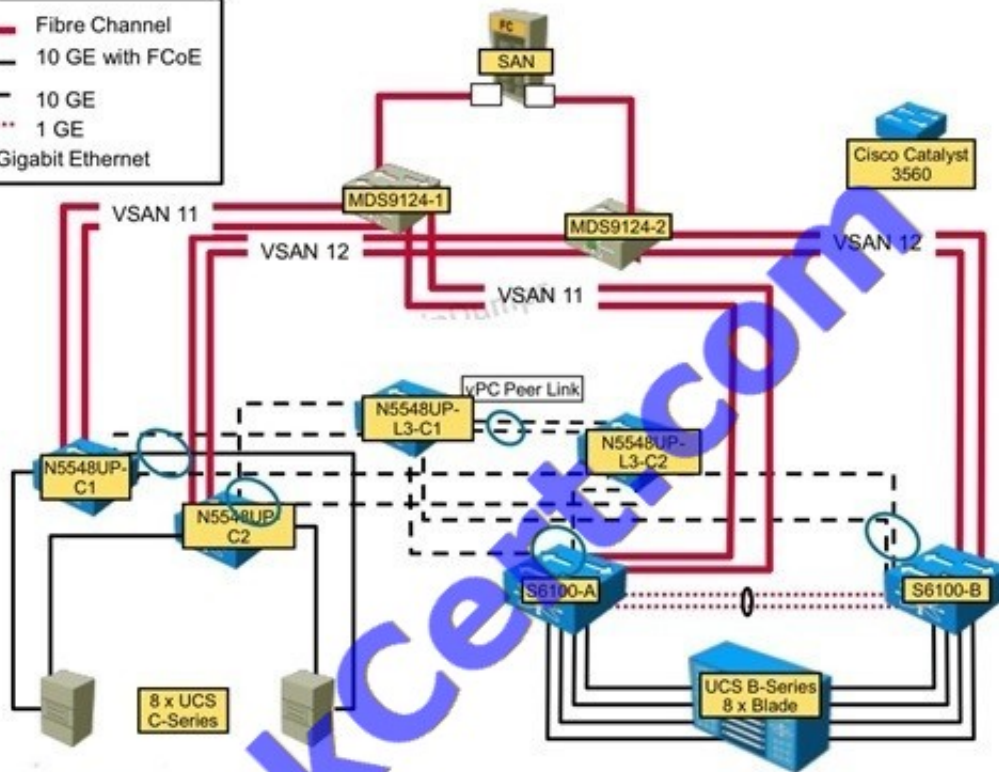
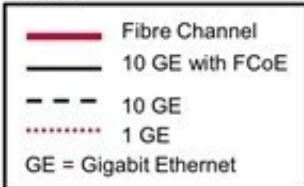




Exhibit4

Trap Details

Trap Settings

ID: 1

Enabled:

SNMP Version: V3

Trap Type: Trap Inform

User: None

Destination IP: 0.0.0.0

OK Reset Values Close

Exhibit5

User Details

User Properties

ID: 2

Enabled:

Username: _____


Role: read-only

Change Password:

New Password: _____

Confirm New Password: _____

Save Changes Reset Values Cancel





Refer to the screenshot in Exhibit 5. Which of the following user roles allows the permission Clear All Logs?

- A. read-only
- B. user
- C. operator
- D. system

Correct Answer: C

Reference:

http://www.cisco.com/c/en/us/td/docs/unified_computing/ucs/sw/gui/config/guide/20/b_UCSM_GUI_Configuration_Guide_2_0/b_UCSM_GUI_Configuration_Guide_2_0_chapter_01

001.html

[Latest 642-999 Dumps](#)

[642-999 PDF Dumps](#)

[642-999 Study Guide](#)



To Read the [Whole Q&As](#), please purchase the [Complete Version](#) from [Our website](#).

Try our product !

- 100% Guaranteed Success
- 100% Money Back Guarantee
- 365 Days Free Update
- Instant Download After Purchase
- 24x7 Customer Support
- Average 99.9% Success Rate
- More than 800,000 Satisfied Customers Worldwide
- Multi-Platform capabilities - [Windows](#), [Mac](#), [Android](#), [iPhone](#), [iPod](#), [iPad](#), [Kindle](#)

We provide exam PDF and VCE of Cisco, Microsoft, IBM, CompTIA, Oracle and other IT Certifications. You can view Vendor list of All Certification Exams offered:

<https://www.geekcert.com/allproducts>

Need Help

Please provide as much detail as possible so we can best assist you.
To update a previously submitted ticket:



 <p>One Year Free Update Free update is available within One Year after your purchase. After One Year, you will get 50% discounts for updating. And we are proud to boast a 24/7 efficient Customer Support system via Email.</p>	 <p>Money Back Guarantee To ensure that you are spending on quality products, we provide 100% money back guarantee for 30 days from the date of purchase.</p>	 <p>Security & Privacy We respect customer privacy. We use McAfee's security service to provide you with utmost security for your personal information & peace of mind.</p>
---	---	--

Any charges made through this site will appear as Global Simulators Limited.
All trademarks are the property of their respective owners.
Copyright © geekcert, All Rights Reserved.