



642-999^{Q&As}

Implementing Cisco Data Center Unified Computing

Pass Cisco 642-999 Exam with 100% Guarantee

Free Download Real Questions & Answers **PDF** and **VCE** file from:

<https://www.geekcert.com/642-999.html>

100% Passing Guarantee
100% Money Back Assurance

Following Questions and Answers are all new published by Cisco
Official Exam Center

-  **Instant Download** After Purchase
-  **100% Money Back** Guarantee
-  **365 Days** Free Update
-  **800,000+** Satisfied Customers





QUESTION 1

Which three options are needed when configuring local zoning on the Cisco UCS Fabric Interconnects? (Choose three.)

- A. The fabric interconnects are operating in FC switching mode.
- B. The fabric interconnects are operating in FC end-host mode.
- C. SAN connectivity policy
- D. storage connection policy
- E. FC target endpoints
- F. iSCSI target endpoints

Correct Answer: ADE

QUESTION 2

Scenario

In this scenario, you will refer to screenshots about Cisco UCS B-Series servers and UCS Manager.

Instructions

To access the multiple-choice questions, click on the numbered boxes on the left of the top panel.

There are four multiple-choice questions with this task.

Be sure to answer all four questions before selecting the Next button.



DCUCI 5.0 Lab Topology—Backbone

Legend:

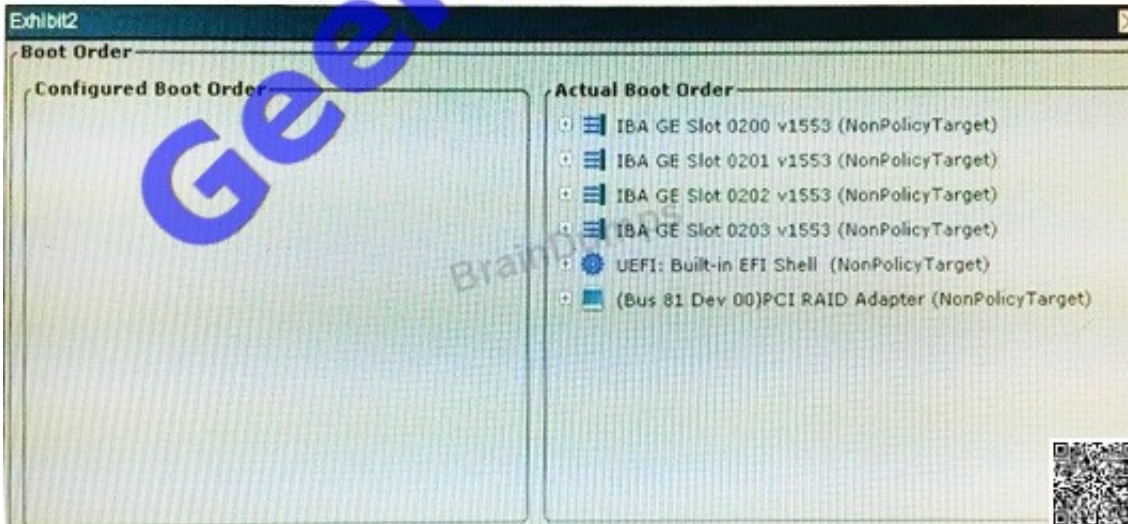
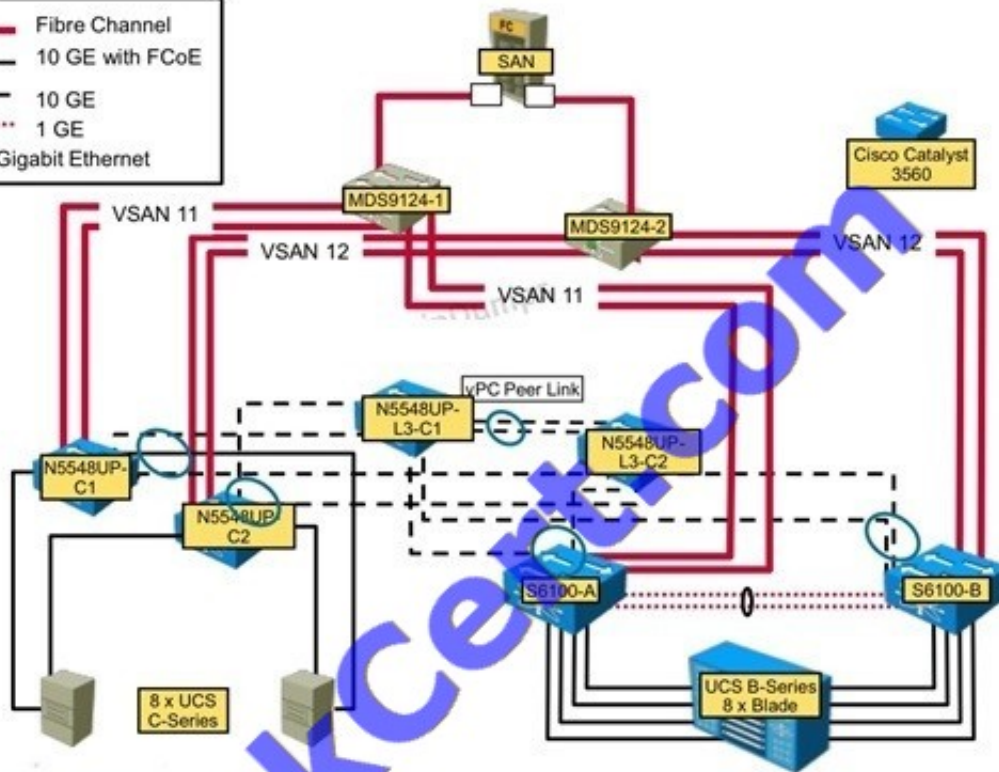
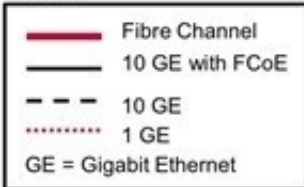




Exhibit4

Trap Details

Trap Settings

ID: 1

Enabled:

SNMP Version: V3

Trap Type: Trap Inform

User: None

Destination IP: 0.0.0.0

OK Reset Values Close

Exhibit5

User Details

User Properties

ID: 2

Enabled:

Username:


Role: read-only

Change Password:

New Password:

Confirm New Password:

Save Changes Reset Values Cancel





Refer to the screenshot in Exhibit 5. Which of the following user roles allows the permission Clear All Logs?

- A. read-only
- B. user
- C. operator
- D. system

Correct Answer: C

Reference:

http://www.cisco.com/c/en/us/td/docs/unified_computing/ucs/sw/gui/config/guide/20/b_UCSM_GUI_Configuration_Guide_2_0/b_UCSM_GUI_Configuration_Guide_2_0_chapter_01001.html

QUESTION 3

Select and Place:

Drag the characteristic on the left to the most appropriate Cisco Unified Computing System 62XX Fibre Channel switching mode on the right.

NP_Port to F_Port	NPV Mode
No Fibre Channel domain ID	
Default zoning or zone merge	
No zoning required	
N_Port to F_Port	
Fibre Channel domain ID	
	Fibre Channel Switching Mode

Correct Answer:



Drag the characteristic on the left to the most appropriate Cisco Unified Computing System 62XX Fibre Channel switching mode on the right.

NPV Mode
NP_Port to F_Port
No Fibre Channel domain ID
No zoning required

Fibre Channel Switching Mode
N_Port to F_Port
Fibre Channel domain ID
Default zoning or zone merge

QUESTION 4

Which two options are valid server pool policy qualifications? (Choose two.)

- A. server model
- B. description
- C. user label
- D. power group

Correct Answer: AD

QUESTION 5

You have a Cisco UCS C-Series Server. What can you use to log the blade server statistics?

- A. the Cisco Integrated Management Controller log
- B. RADIUS
- C. LDAP
- D. the XML API

Correct Answer: A

Reference: <http://www.cisco.com/c/en/us/products/collateral/servers-unified-computing/ucs-cseries-rack-servers/datasheet-c78-733571.html>



VCE & PDF

GeekCert.com

<https://www.geekcert.com/642-999.html>

2021 Latest geekcert 642-999 PDF and VCE dumps Download

[642-999 Practice Test](#)

[642-999 Study Guide](#)

[642-999 Braindumps](#)



To Read the [Whole Q&As](#), please purchase the [Complete Version](#) from [Our website](#).

Try our product !

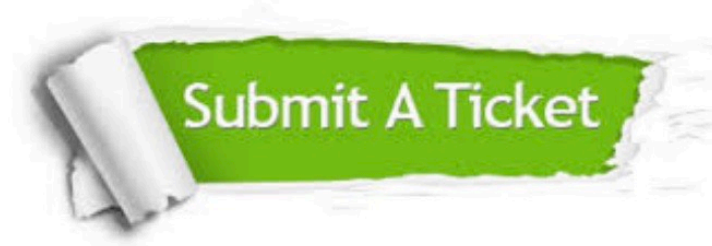
- 100% Guaranteed Success
- 100% Money Back Guarantee
- 365 Days Free Update
- Instant Download After Purchase
- 24x7 Customer Support
- Average 99.9% Success Rate
- More than 800,000 Satisfied Customers Worldwide
- Multi-Platform capabilities - [Windows](#), [Mac](#), [Android](#), [iPhone](#), [iPod](#), [iPad](#), [Kindle](#)

We provide exam PDF and VCE of Cisco, Microsoft, IBM, CompTIA, Oracle and other IT Certifications. You can view Vendor list of All Certification Exams offered:

<https://www.geekcert.com/allproducts>

Need Help

Please provide as much detail as possible so we can best assist you.
To update a previously submitted ticket:



 <p>One Year Free Update Free update is available within One Year after your purchase. After One Year, you will get 50% discounts for updating. And we are proud to boast a 24/7 efficient Customer Support system via Email.</p>	 <p>Money Back Guarantee To ensure that you are spending on quality products, we provide 100% money back guarantee for 30 days from the date of purchase.</p>	 <p>Security & Privacy We respect customer privacy. We use McAfee's security service to provide you with utmost security for your personal information & peace of mind.</p>
---	---	--

Any charges made through this site will appear as Global Simulators Limited.
All trademarks are the property of their respective owners.
Copyright © geekcert, All Rights Reserved.