



# 70-686<sup>Q&As</sup>

Windows 7, Enterprise Desktop Administrator

## Pass Microsoft 70-686 Exam with 100% Guarantee

Free Download Real Questions & Answers **PDF** and **VCE** file from:

<https://www.geekcert.com/70-686.html>

100% Passing Guarantee  
100% Money Back Assurance

Following Questions and Answers are all new published by Microsoft  
Official Exam Center

-  **Instant Download** After Purchase
-  **100% Money Back** Guarantee
-  **365 Days** Free Update
-  **800,000+** Satisfied Customers





### QUESTION 1

When a user attempts to connect to a server named Server1 by using Remote Desktop Connection (RDC), he receives the following error message.



You need to assign the least amount of privilege to the user to ensure that he can connect to Server1 by using RDC. To which group should you add the user?

- A. Add the user to the Power Users group on Server1.
- B. Add the user to the Remote Desktop Users group on Server1.
- C. Add the user to the domain Windows Authorization Access group.
- D. Add the user to the domain Remote Desktop Users group

Correct Answer: B

### QUESTION 2

Your company has a single Active Directory Domain Services (AD DS) domain and 1,000 client computers.

You are planning to deploy Windows 7 by using a zero-touch installation process.

You need to test the deployment methodology.

What should you do first?

- A. Create a computer collection with test computers as members.
- B. Create a security group with test computers as members.
- C. Create an organizational unit and move test computer accounts into it.
- D. Create a distribution group with test computers as members.

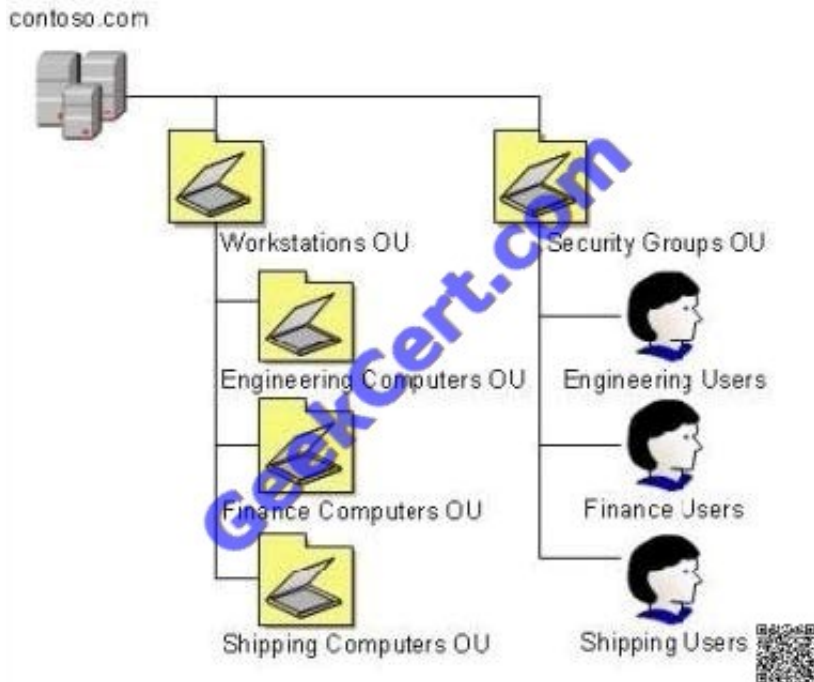
Correct Answer: A

### QUESTION 3

Your company's network has client computers that run Windows 7. Multiple users share the computers in the shipping department. These computers reside in the Shipping Computers organizational unit (OU). The network design is shown



in the following diagram.



You are planning to deploy an application. The application is packaged as a Microsoft Windows Installer package (MSI).

You need to deploy the application only to computers in the shipping department.

Which two actions should you perform? (Each correct answer presents part of the solution.

Choose two.)

- A. Link the software installation policy to the Workstations OU.
- B. Link the software installation policy to the Shipping Computers OU.
- C. Create a new Group Policy object (GPO) and add a software installation policy under the User Configuration container.
- D. Create a new Group Policy object (GPO) and add a software installation policy under the Computer Configuration container.

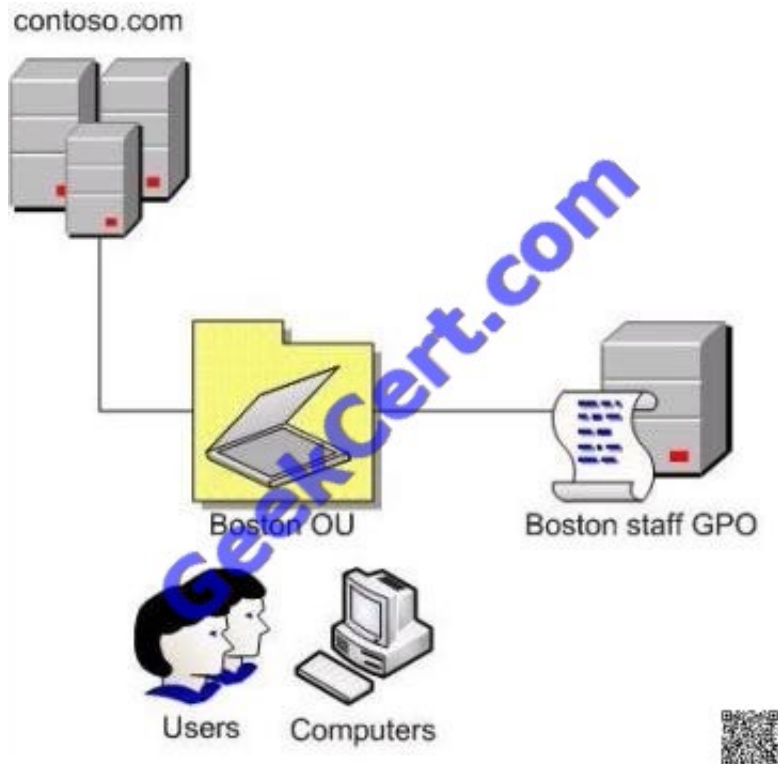
Correct Answer: BD

To specify how and when computers are updated through Group Policy In Group Policy Object Editor, expand Computer Configuration, expand Administrative Templates, expand Windows Components, and then click Windows Update. In the details pane of Group Policy Object Editor, configure the appropriate policies. See the following table for examples of the policies you might want to set.. refer to [http://technet.microsoft.com/en-us/library/cc708536\(v=WS.10\).aspx](http://technet.microsoft.com/en-us/library/cc708536(v=WS.10).aspx) Hints: Workstations OU = engineering computer OU + finance computer OU + shipping computer OU

#### QUESTION 4



Your company has an Active Directory Domain Services (AD DS) forest with a single domain named contoso.com. The design of the domain and Group Policy object (GPO) is shown in the following diagram.



You configure Group Policy preferences to define mapped drives in the Boston staff GPO.

Users in the Boston organizational unit (OU) then report that the mapped drives are not available.

You need to identify and resolve Group Policy issues to ensure that the mapped drives are available.

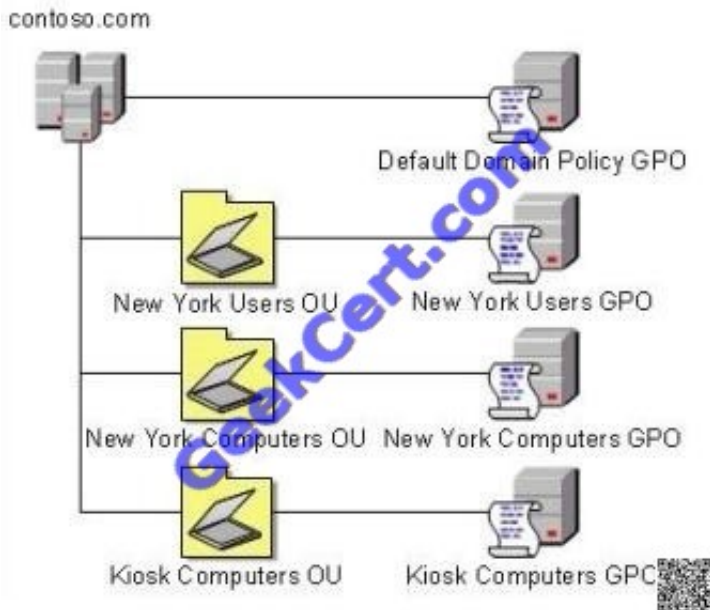
What should you do?

- A. Enable loopback processing in Replace mode.
- B. Enable loopback processing in Merge mode.
- C. Enable the computer configuration settings.
- D. Enable the user configuration settings.

Correct Answer: D

## QUESTION 5

Your company has an Active Directory Domain Services (AD DS) forest with a single domain named contoso.com. The design of the organizational units (OUs) and Group Policy objects (GPOs) is shown in the following diagram.



Multiple computer configuration settings and user configuration settings are defined in the Kiosk Computers GPO.

A security audit indicates that user configuration settings that are defined in the Kiosk Computers GPO are not applied when users log on to client computers that are in the Kiosk Computers OU.

You need to ensure that the user configuration settings are correctly applied.

What should you do?

- A. Enable loopback processing in Merge mode on the Default Domain Policy GPO.
- B. Disable the user configuration settings on the Default Domain Policy GPO.
- C. Enable loopback processing in Replace mode on the Kiosk Computers GPO.
- D. Disable the user configuration settings on the New York Users GPO.

Correct Answer: C

Refer to Planning and managing windows 7 desktop deployments and environment Pg 10-92

[70-686 PDF Dumps](#)

[70-686 VCE Dumps](#)

[70-686 Study Guide](#)



To Read the [Whole Q&As](#), please purchase the [Complete Version](#) from [Our website](#).

## Try our product !

- 100% Guaranteed Success
- 100% Money Back Guarantee
- 365 Days Free Update
- Instant Download After Purchase
- 24x7 Customer Support
- Average 99.9% Success Rate
- More than 800,000 Satisfied Customers Worldwide
- Multi-Platform capabilities - [Windows](#), [Mac](#), [Android](#), [iPhone](#), [iPod](#), [iPad](#), [Kindle](#)

We provide exam PDF and VCE of Cisco, Microsoft, IBM, CompTIA, Oracle and other IT Certifications. You can view Vendor list of All Certification Exams offered:

<https://www.geekcert.com/allproducts>

## Need Help

Please provide as much detail as possible so we can best assist you.  
To update a previously submitted ticket:



 <p><b>One Year Free Update</b> Free update is available within One Year after your purchase. After One Year, you will get 50% discounts for updating. And we are proud to boast a 24/7 efficient Customer Support system via Email.</p>	 <p><b>Money Back Guarantee</b> To ensure that you are spending on quality products, we provide 100% money back guarantee for 30 days from the date of purchase.</p>	 <p><b>Security &amp; Privacy</b> We respect customer privacy. We use McAfee's security service to provide you with utmost security for your personal information &amp; peace of mind.</p>
---	---	--

Any charges made through this site will appear as Global Simulators Limited.  
All trademarks are the property of their respective owners.  
Copyright © geekcert, All Rights Reserved.