



# ACMP\_6.3<sup>Q&As</sup>

Aruba Certified Mobility Professional 6.3

**Pass Aruba ACMP\_6.3 Exam with 100% Guarantee**

Free Download Real Questions & Answers **PDF** and **VCE** file from:

<https://www.geekcert.com/acmp-6-3.html>

100% Passing Guarantee  
100% Money Back Assurance

Following Questions and Answers are all new published by Aruba  
Official Exam Center

-  **Instant Download** After Purchase
-  **100% Money Back** Guarantee
-  **365 Days** Free Update
-  **800,000+** Satisfied Customers





### QUESTION 1

Which command will show all client association history?

- A. Aruba-6000# show mobile trail current (ip address)
- B. Aruba-6000# show ip mobile trail (ip address)
- C. Aruba-6000# show ap client status (mac address)
- D. Aruba-6000# show current client ip (ip address)
- E. Aruba-6000# show client ip (ip address) mobility

Correct Answer: B

---

### QUESTION 2

With Fast-Failover disabled, to which IP address should the Aruba AP terminate its GRE tunnel for layer 2 controller redundancy to work and to support failover of access points?

- A. VRRP IP address
- B. management IP of an Aruba controller
- C. management IP of the backup Aruba controller
- D. HSRP IP address
- E. Loopback IP address of backup Aruba controller

Correct Answer: A

---

### QUESTION 3

With CPsec enabled, which tunnel protocol is used between APs and Controllers in an Aruba environment?

- A. EAP
- B. SSH
- C. IPinIP
- D. Mobile IP
- E. IPSec

Correct Answer: E

---



#### QUESTION 4

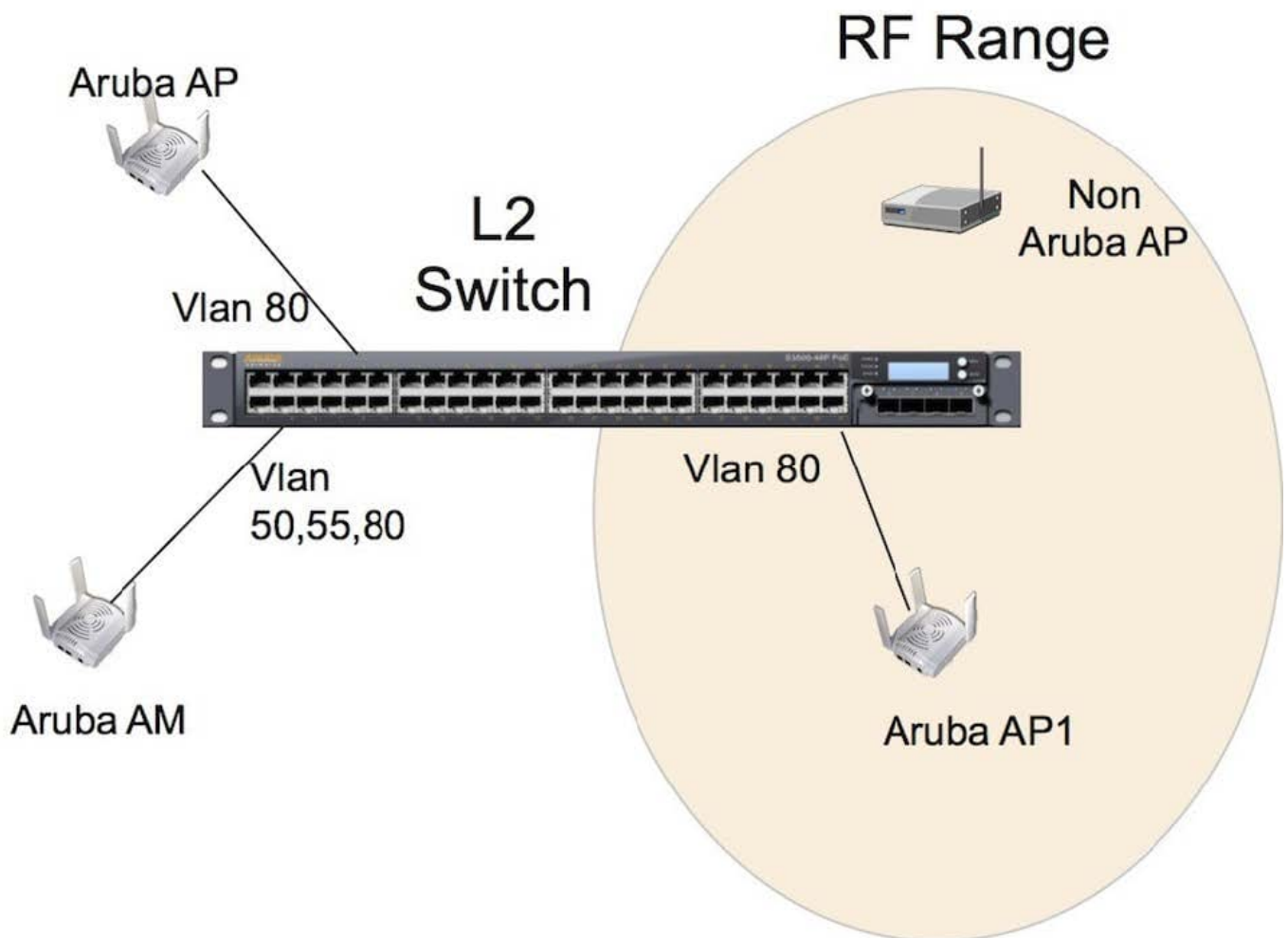
What are two different methods of configuring AP redundancy between 2 local controllers? (Choose two)

- A. Fast-Failover
- B. Configure the locals as remote nodes
- C. Use named VLANS
- D. LMS and Backup LMS IP
- E. AP Redundancy can only be configured between a Master and Local

Correct Answer: AD

#### QUESTION 5

Referring to the diagram provided for this question, an employee brought an unauthorized AP from home, but did not attach it to the LAN infrastructure. The APs are in the VLANs as shown in the diagram. Only AP1 is within RF range of the employee AP.





By default, how will the Aruba system classify the employee's AP?

- A. an AP
- B. an AM
- C. a Rogue AP
- D. an Interfering AP
- E. a valid workstation

Correct Answer: D

[Latest ACMP 6.3 Dumps](#)

[ACMP 6.3 PDF Dumps](#)

[ACMP 6.3 Practice Test](#)