



C2180-188^{Q&As}

IBM WebSphere Lombardi Edition V7.2 BPM Program Management

Pass IBM C2180-188 Exam with 100% Guarantee

Free Download Real Questions & Answers **PDF** and **VCE** file from:

<https://www.geekcert.com/C2180-188.html>

100% Passing Guarantee
100% Money Back Assurance

Following Questions and Answers are all new published by IBM Official Exam Center

-  **Instant Download** After Purchase
-  **100% Money Back** Guarantee
-  **365 Days** Free Update
-  **800,000+** Satisfied Customers





QUESTION 1

The business requirements for the BPM platform dictate that the runtime environment supports up to 10,000 unique users with up to 2,000 concurrent users during an 18 hour daily usage window with response times for user actions of less than 6 seconds in 95% of cases and no more than 10 seconds in any case. Who is responsible for ensuring that this expectation is met?

- A. BPM Analyst
- B. BPM Developer
- C. BPM Administrator
- D. BPM Program Manager

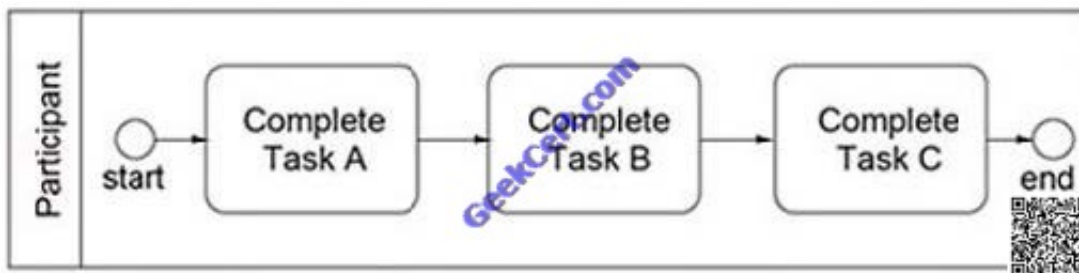
Correct Answer: C

QUESTION 2

Early in process modeling, the process owner explains how a particular part of the process model diagram below should function. Both Task A and B should be accomplished prior to Task C. Task A and B do not have any specific order in

which they must be accomplished.

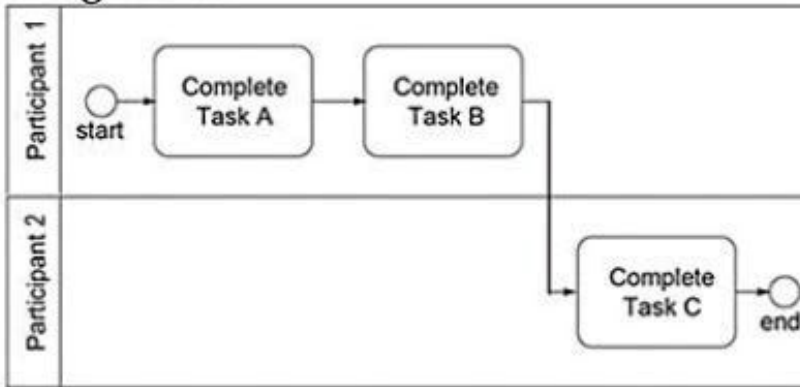
Task C is also completed by a different group than the participant assigned to Task A and B.



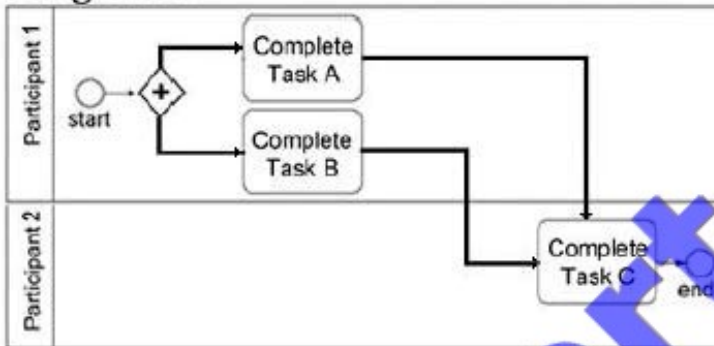
Which of the following diagrams implement the scenario according to best practice?



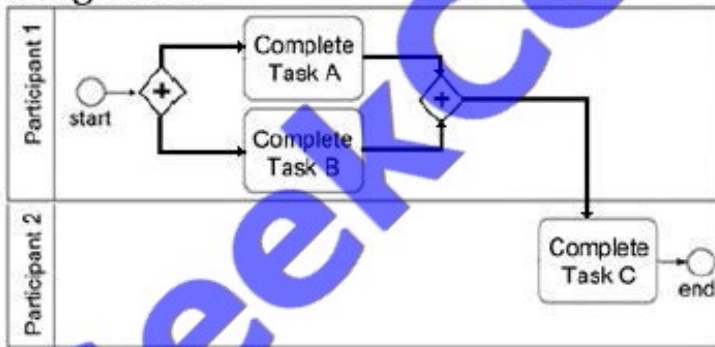
A. *Diagram 1*



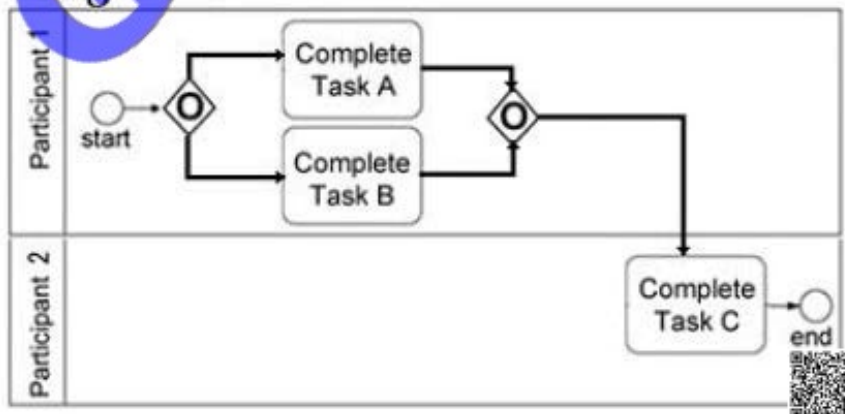
B. *Diagram 2*



C. *Diagram 3*



D. *Diagram 4*





A. B. C. D.

Correct Answer: C

QUESTION 3

A program manager is planning a project after Playback 0 with a customer. The first proposed plan includes releasing the process with no integrations to external systems. In this plan the process participants will key in data into the process application manually for the first release. The customer replies that this is not a good solution because the integrations are required. The customer proposes a second plan where all the integrations are built for the first release and it will take nearly 3 times as long to deliver with a duration of 9 months. After discussing the pros and cons of the different approaches the customer states that the plan with integrations will be less work and cost overall because they know that they will eventually build all the integrations. How should the program manager respond?

- A. Accept the second plan because it will lock the customer into a much longer implementation during which the program manager can push for shorter releases.
- B. Accept the customer's proposed plan as the customer has confirmed that the integrations will eventually be implemented. The program manager will document the integration risks.
- C. Continue to support the first plan because it gives the process participants the ability to work with the data first hand and greatly reduce the user acceptance testing.
- D. Continue to support the first plan because partial solutions that bring about an earlier release will often demonstrate that the fullscope of initial planned integrations are not required.

Correct Answer: D

QUESTION 4

When documenting an activity in a business process, the BPM Analyst will record the business objects used by that activity. How will the BPM Analyst document the business objects used (or created) by that activity?

- A. process activity steps
- B. process variable types
- C. process participant requirements
- D. process activity inputs and outputs

Correct Answer: D

QUESTION 5

The BPM program manager and process owner for a new hire onboarding process project need to ensure that the solution developed by the team will be accepted and adopted by the target users. To facilitate this, they decide to:

- A. plan additional playbacks for user screens.



- B. agree with users to postpone the release until every feature is correct.
- C. involve champion SMEs in the discovery and implementation including playbacks.
- D. insist on documentation of all user requirements before having the development team begin work.

Correct Answer: C

[Latest C2180-188 Dumps](#)

[C2180-188 VCE Dumps](#)

[C2180-188 Braindumps](#)



To Read the [Whole Q&As](#), please purchase the [Complete Version](#) from [Our website](#).

Try our product !

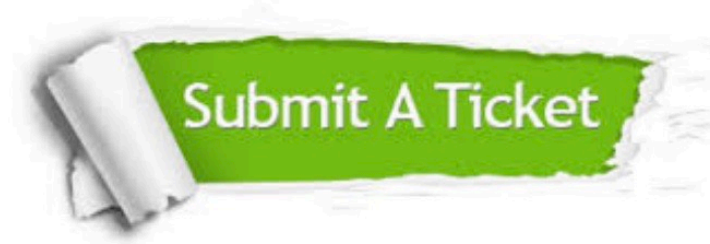
- 100% Guaranteed Success
- 100% Money Back Guarantee
- 365 Days Free Update
- Instant Download After Purchase
- 24x7 Customer Support
- Average 99.9% Success Rate
- More than 800,000 Satisfied Customers Worldwide
- Multi-Platform capabilities - [Windows](#), [Mac](#), [Android](#), [iPhone](#), [iPod](#), [iPad](#), [Kindle](#)

We provide exam PDF and VCE of Cisco, Microsoft, IBM, CompTIA, Oracle and other IT Certifications. You can view Vendor list of All Certification Exams offered:

<https://www.geekcert.com/allproducts>

Need Help

Please provide as much detail as possible so we can best assist you.
To update a previously submitted ticket:



 <p>One Year Free Update Free update is available within One Year after your purchase. After One Year, you will get 50% discounts for updating. And we are proud to boast a 24/7 efficient Customer Support system via Email.</p>	 <p>Money Back Guarantee To ensure that you are spending on quality products, we provide 100% money back guarantee for 30 days from the date of purchase.</p>	 <p>Security & Privacy We respect customer privacy. We use McAfee's security service to provide you with utmost security for your personal information & peace of mind.</p>
---	---	--

Any charges made through this site will appear as Global Simulators Limited.
All trademarks are the property of their respective owners.
Copyright © geekcert, All Rights Reserved.