



CTAL-TM_SYLL2012^{Q&As}

ISTQB Certified Tester Advanced Level - Test Manager [Syllabus 2012]

Pass ISQI CTAL-TM_SYLL2012 Exam with 100% Guarantee

Free Download Real Questions & Answers **PDF** and **VCE** file from:

https://www.geekcert.com/ctal-tm_syll2012.html

100% Passing Guarantee
100% Money Back Assurance

Following Questions and Answers are all new published by ISQI Official Exam Center

-  **Instant Download** After Purchase
-  **100% Money Back** Guarantee
-  **365 Days** Free Update
-  **800,000+** Satisfied Customers





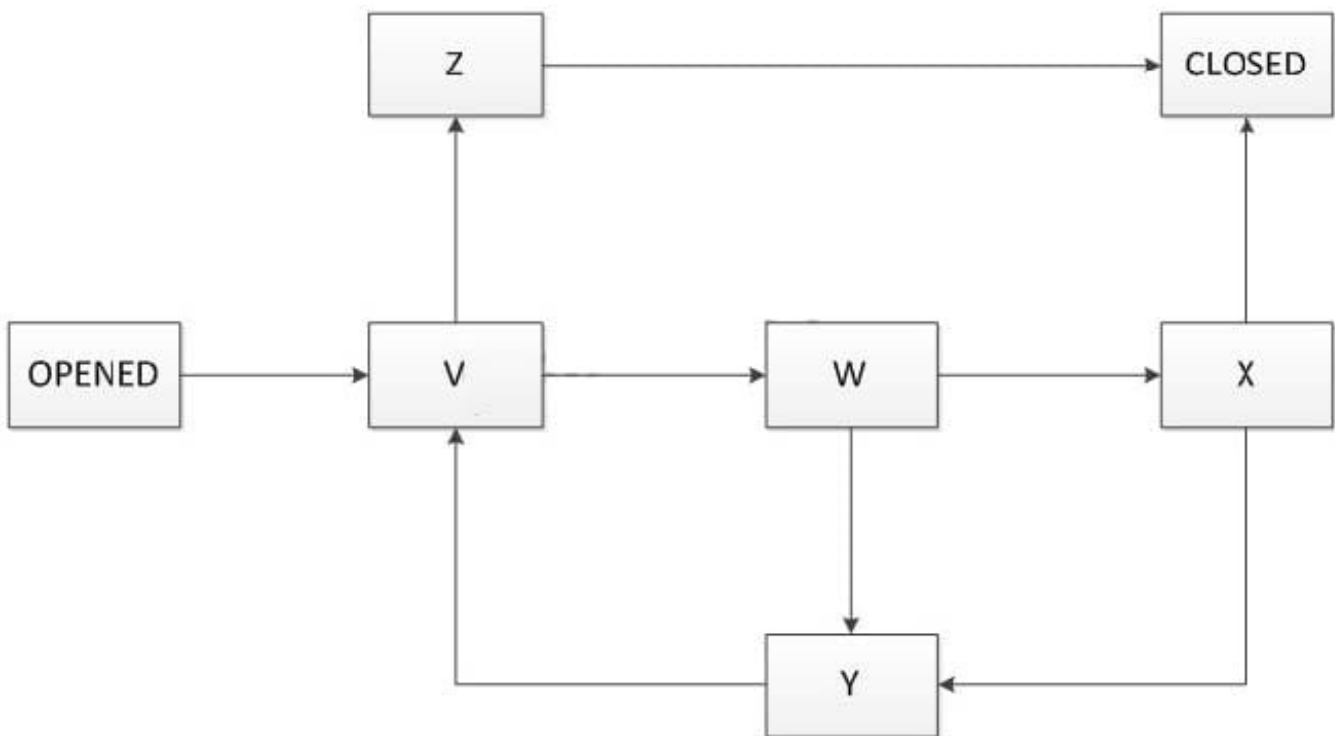
QUESTION 1

Assume you are working on a defect management process to be used by a software organization to track the current status of the defects reports for several projects.

When a defect is found for investigation a defect report is created in "Opened" state that is the unique initial state. The defect report status has also a unique finale state that is the "Closed" state.

The following state transition diagram describes the states of this defect management process:

Where only the initial ("Opened") and final ("Closed") states are indicated while the remaining states (V, W, X, Y, Z) have yet to be named.



Which of the following assignments would you expect to best complete the defect management process?

- A. V=Rejected , W=Corrected , X=Validated, Y=Re-Opened, Z=Assigned
- B. V=Assigned, W=Validated , X=Corrected, Y=Re-Opened, Z=Rejected
- C. V=Assigned, W=Corrected , X=Validated, Y=Re-Opened, Z=Rejected
- D. V= Corrected, W=Assigned, X=Validated, Y=Corrected, Z=Rejected

Correct Answer: C

QUESTION 2



You are working on a project to develop an authentication system for an e-commerce website. This system provides two features: Registration and authentication. Two different development teams develop these two features.

There is a high likelihood that the delivery of the authentication feature to the test team will be three weeks later. To complete the registration the user must provide the following registration inputs: Name, surname, birth date, fiscal code and

he/she can select a username and a password.

A registered user can be a special user or a normal user. To be identified as a special user, he/she must also provide, during the registration process, a voucher possibly received from the IT department.

Access is granted only if a user is registered and the password is correct: In all other cases access is denied. If the registered user is a special user and the password is wrong, a special warning is shown on the system console.

You are currently performing a quality risk analysis using FMEA.

Based only on the given information, which of the following is NOT a product risk that could be identified during the quality risk analysis?

- A. The late delivery of the authentication feature to the test team causes delays in the start of test execution and this could result in a shorter test period
- B. The authentication system denies access for a special user with a wrong password, but doesn't display a special warning on the system console
- C. The authentication system grants access to a normal user with a wrong password
- D. The authentication system grants access to a special user with a wrong password

Correct Answer: A

QUESTION 3

Assume that you are the Test Manager for a small banking application development project.

You have decided to adopt a risk-based testing strategy and 5 product risks (R1, R2, R3, R4, and R5) have been identified during the quality risk analysis.

The following table shows the risk level associated to these product risks (higher numbers mean higher risk):

Product risk	Risk level
R1	12
R2	25
R3	4
R4	20
R5	25



55 test cases have been designed and implemented to cover all these 5 product risks. The coverage is described in a traceability matrix.

This is the test execution status table, after the after the first week of test execution:

About 56% of the planned test cases have been successfully executed.

Assume that no additional product risks have been identified during the first week of test execution.

Product risk	Test cases				Defects	
	Planned	Run	Passed	Failed	Found	Fixed
R1	25	13	12	1	1	0
R2	12	7	6	1	1	0
R3	8	8	8	0	0	0
R4	5	2	2	0	0	0
R5	5	4	3	1	1	0

Which of the following answers would you expect to best describe the residual risks associated with the identified product risks, at the end of the first week of test execution?

- A. Since R3 is the only risk for which all test cases have passed, the risk has been reduced by 20%
- B. The test execution status table indicates that the risk has been reduced by 56%
- C. The residual risk level can't be determined, because it requires that all the test cases have been executed
- D. The test execution table doesn't give an indication of the risk level of the open defects and the test cases that failed or are not run yet

Correct Answer: D

QUESTION 4

Assume you have some data related to confirmation testing during system testing of a past project.

In that project 240 bug reports have been opened once, 80 were opened twice, 10 were opened three times and no bug reports have been opened more than three times.

You estimate that a bug report, which has failed its confirmation test, costs, on average, 3 person- hours.

Which of the following statements correctly describe the value of these confirmatory testing activities based on cost of quality?

- A. 300 person-hours have been spent on the project during the system testing phase, because of the failed confirmation tests and this cost belongs to the costs of internal failure
- B. 340 person-hours have been spent on the project during the system testing phase, because of the failed confirmation tests and this cost belongs to the costs of external failure
- C. 340 person-hours have been spent on the project during the system testing phase, because of the failed confirmation tests and this cost belongs to the costs of internal failure



D. 300 person-hours have been spent on the project during the system testing phase, because of the failed confirmation tests and this cost belongs to the costs of detection

Correct Answer: A

QUESTION 5

You are estimating the effort for the integration testing activities of a new project. Consider the following factors, which can affect that estimation:

- I. Availability of re-usable test systems and documentation from previous, similar projects
- II. Unexpected timing of components arrival
- III. Stability of the integration test team (no turnover)
- IV.

Many and geographically distributed sub-teams Which of the following statements is true?

- A.
 - I. and II. can negatively affect the estimation
 - III. and IV. usually favor the accuracy of the estimation effort
- B.
 - II. and III. can negatively affect the estimation and IV. usually favor the accuracy of the estimation effort
- C.
 - II. and IV. can negatively affect the estimation and III. usually favor the accuracy of the estimation effort
- D.
 - III. and IV. can negatively affect the estimation and II. usually favor the accuracy of the estimation effort

Correct Answer: C

[Latest CTAL-TM_SYLL2012 Dumps](#) | [CTAL-TM_SYLL2012 Study Guide](#) | [CTAL-TM_SYLL2012 Exam Questions](#)