



E20-690^{Q&As}

VNX Solutions Specialist Exam for Platform Engineers

Pass EMC E20-690 Exam with 100% Guarantee

Free Download Real Questions & Answers **PDF** and **VCE** file from:

<https://www.geekcert.com/e20-690.html>

100% Passing Guarantee
100% Money Back Assurance

Following Questions and Answers are all new published by EMC
Official Exam Center

-  **Instant Download** After Purchase
-  **100% Money Back** Guarantee
-  **365 Days** Free Update
-  **800,000+** Satisfied Customers





QUESTION 1

What file is created on the storage processor by the TRT process during analysis of an event?

- A. results.xml
- B. events.xml
- C. connect_home.xml
- D. triiage.xml

Correct Answer: A

QUESTION 2

You have been tasked to perform an installation of a VNX system configured as block-only. Where will you find the installation procedure for the system?

- A. VNX Installation Toolkit
- B. Unisphere Service Manager
- C. VNX Procedure Generator
- D. Powerlink Knowledgebase

Correct Answer: C

QUESTION 3

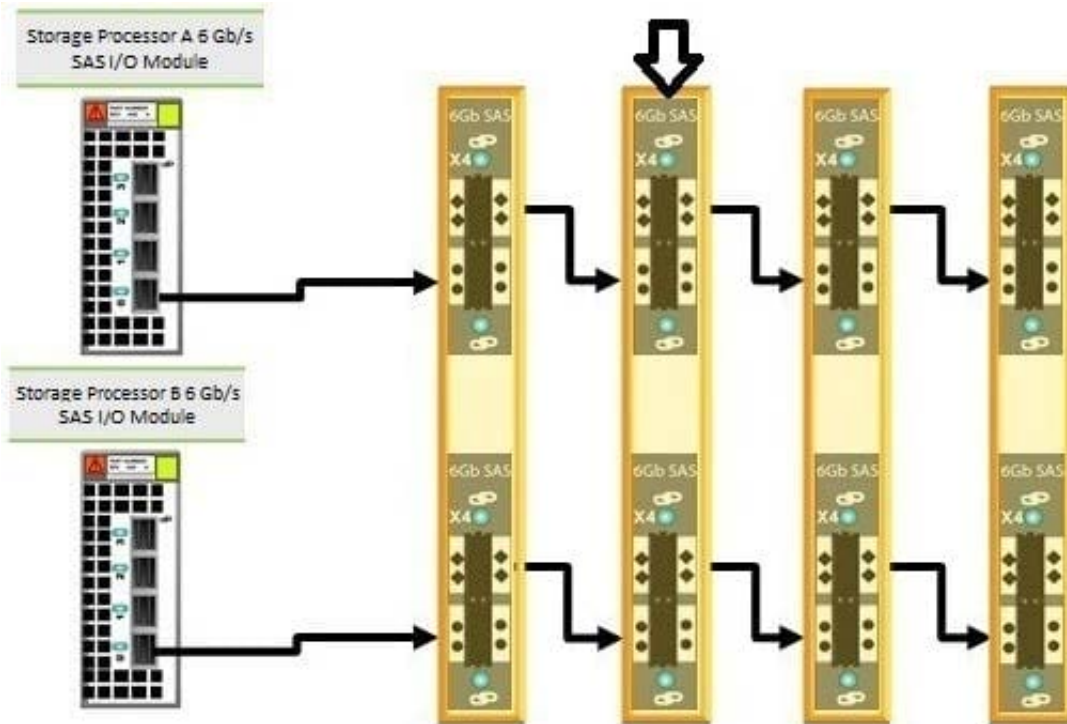
What tool must run and complete successfully before a VNX file upgrade can be done?

- A. upgrd-ck script
- B. VNX Procedure Generator
- C. SPcollect
- D. VNX Installation Toolbox

Correct Answer: A

QUESTION 4

Refer to the exhibit.



In an original balanced cabling configuration of a VNX5400, what is the enclosure number to which the large arrow at the top of the diagram is pointing?

- A. 1
- B. 0
- C. 2
- D. 3

Correct Answer: A

QUESTION 5

What IP address is assigned to the eth3 interface on a Control Station?

- A. IP address for the A management network
- B. IP address for the B management network
- C. Public IP address for the customer's network
- D. IP address for the peer Control Station

Correct Answer: C



VCE & PDF

GeekCert.com

<https://www.geekcert.com/e20-690.html>

2024 Latest geekcert E20-690 PDF and VCE dumps Download

[Latest E20-690 Dumps](#)

[E20-690 VCE Dumps](#)

[E20-690 Exam Questions](#)