



HP0-J64^{Q&As}

Designing HP Enterprise Storage Solutions

Pass HP HP0-J64 Exam with 100% Guarantee

Free Download Real Questions & Answers **PDF** and **VCE** file from:

<https://www.geekcert.com/hp0-j64.html>

100% Passing Guarantee
100% Money Back Assurance

Following Questions and Answers are all new published by HP Official Exam Center

-  **Instant Download** After Purchase
-  **100% Money Back** Guarantee
-  **365 Days** Free Update
-  **800,000+** Satisfied Customers





QUESTION 1

Which IT factors support the customer in accelerating time to market? (Select two)

- A. optimized response times
- B. integrated systems that reduce redundancy
- C. 24x7 availability of applications
- D. centralized IT
- E. more efficient cost structures

Correct Answer: AC

Objective: Sought a reliable, secure and scalable high-performance platform to deliver managed cloud services, accelerate time-to-market and support rapid growth. Reduces hardware provisioning times three- fold, accelerating time-to-market. <http://h20195.www2.hp.com/v2/GetPDF.aspx%2F4AA4-6104EEW.pdf>

In commerce, time to market (TTM) is the length of time it takes from a product being conceived until its being available for sale. TTM is important in industries where products are outmoded quickly. A common assumption is that TTM matters most for first-of-a-kind products, but actually the leader often has the luxury of time, while the clock is clearly running for the followers.

QUESTION 2

Which feature in HP StoreVirtual Lefthand OS is ideal in VMware based VDI environment it stores all the virtual machines on a single volume once, without replicating data?

- A. Thin Provisioning snapshots
- B. Adaptive Optimization
- C. SmartClone volume
- D. Network RAID

Correct Answer: D

Network RAID is a per volume setting which can be adjusted to meet data protection and replication requirements on the fly.

There are a variety of Network RAID levels to choose from, but for most production environments it is recommended to use Network RAID 10, which stores two copies of the data on the cluster. With this setting, the volumes remain online if

you lose any single node in the cluster. From a capacity standpoint, you would need to take your capacity estimate based on your assessment of applications and workloads above and multiply it by the numbers of copies you want. For

Network RAID 10, this is a factor of 2, as you store two copies of the data on this volume. More information on the other Network RAID levels and their respective use cases can be found in the HP StoreVirtual User Guide.



QUESTION 3

Which rule applies when designing a routed HP StoreVirtual 4000 Remote Copy environment to replicate data from a branch office to the main data center?

- A. The two IP subnets must have IP routes to each target network with forwarding.
- B. The two IP subnets must have IP routes to each target network with direct access mode configured.
- C. The two IP subnets must have IP routes to each target network without network address translation.
- D. The two IP subnets must have IP routes to each target network without a private VPN tunnel used.

Correct Answer: C

IP networking requirements You can use HP P4000 remote copy from one cluster to another cluster on a single IP subnet as well as across routed environments. In a routed environment, the two IP subnets must have IP routes to each target network without network address translation (NAT) or port forwarding. You can employ private WAN connections using point-to-point protocols, or you can set up a VPN tunnel between two networks that are separated by the public Internet. The VPN tunnel effectively acts as one hop on a router and will allow the use of private IP space on each end. <http://h17007.www1.hp.com/docs/justrightit/HP%20StoreVirtual%20P4000%20Networking%20Recommendations.pdf>

QUESTION 4

A customer wants to implement a new backup solution. The environment is predominantly Fibre Channel with Windows 2008, Linux hosts, and a number of HP-UX hosts attached to a 10 GbE network. They have expressed an interest in the HP StoreOnce technology and its integration with HP Data Protector.

When designing an HP StoreOnce solution for this environment, what needs to be considered?

- A. Catalyst integration is only supported on Windows and HP-UX hosts.
- B. Catalyst gateway are used on the HP-UX hosts.
- C. Linux hosts requires Catalyst gateway
- D. Fibre Channel hosts may only use VTL emulation.

Correct Answer: D

http://h20628.www2.hp.com/km-ext/kmcsdirect/emr_na-c03478346-1.pdf <http://h20195.www2.hp.com/V2/GetPDF.aspx%2F4AA4-1776ENW.pdf> http://www.hp.com/hpinfo/newsroom/press_kits/2012/HPDiscover2012/HPSD_Discover_StoreOnce_Fact_Sheet.pdf

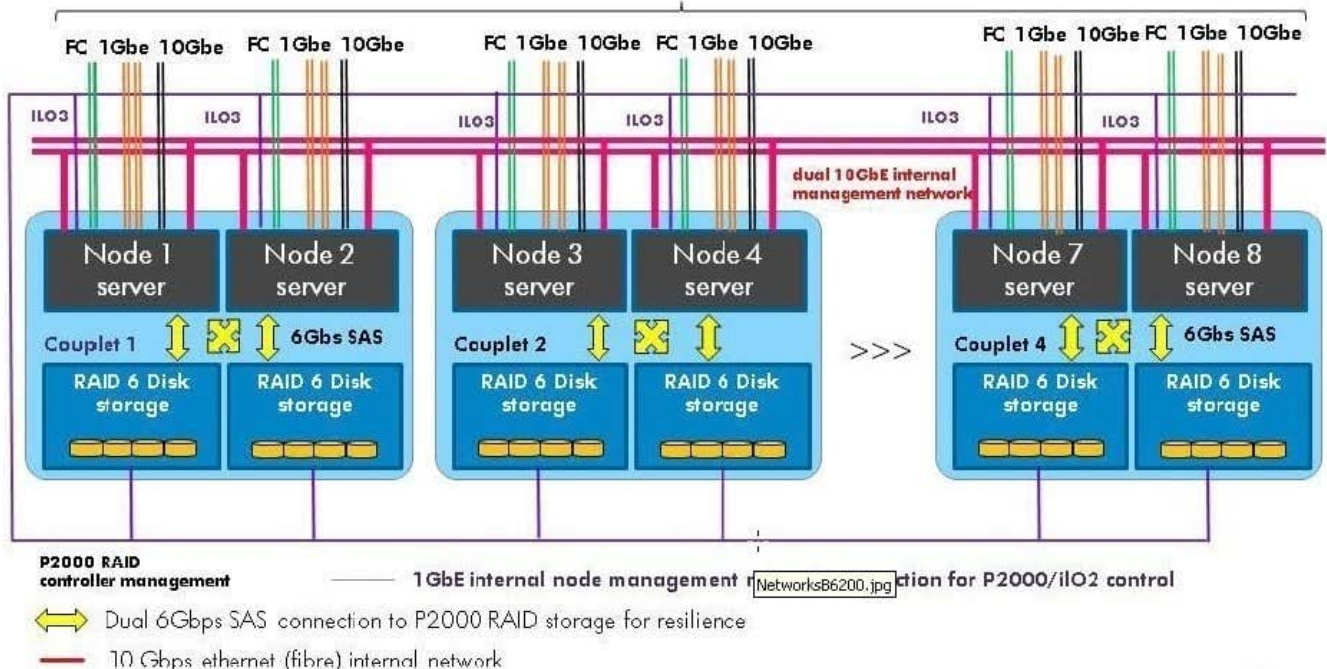


Comparison table of emulations; showing key features and when to use

Emulation	Key Features	Best used in	Comments
Virtual Tape	Uses virtual tape drives and virtual slots to emulate physical tape libraries	Enterprise FC SAN environment (B6200 and 4xxx series). HP StoreOnce also supports iSCSI VTL (4xxx and 2xxx series)	Tried and tested, well understood but lacks sophistication. Uses NetBackup Robot and Drives device type
NAS (CIFS/NFS shares)	NAS shares can be easily configured and viewed by the operating system	Specific environments that do not support tape emulation backup or prefer to backup directly to disk. In some cases the licensing may be lower cost for NAS shares as a backup target.	This is a NAS target for backup - not recommended for random NAS file type access. Uses NetBackup Basic Disk device type
OST with StoreOnce Catalyst	NetBackup has total control over the HP StoreOnce appliance, providing source based deduplication, replication control, improved DR etc.	Environments that require a single management console for all backup and replication activities and the ability to implement federated deduplication*	Requires HP OST 2.0 plugins to be installed on NetBackup Media servers Uses NetBackup OpenStorage device type

Each node has two 8Gb FC connections (used for VTL only), two 10GbE and four 1GbE Ethernet connections (used for NAS shares or Catalyst stores). Figure 4 illustrates these physical connections.

Resilient user connections for management/data



QUESTION 5

What does the 4-port Converged SAN Controller provide in the HP MSA 2040?



- A. IP ports for Asynchronous and Synchronous replication
- B. SFP modules support for FC and iSCSI
- C. Support for FCoE direct connect
- D. 6GB SAS and 16GB FC Combo support

Correct Answer: B

The HP MSA 2040 can also replicate data between arrays (P2000 G3 and/or MSA 2040 SAN Model only using FC or iSCSI protocol) with the optional Remote Snap feature.

[HP0-J64 PDF Dumps](#)

[HP0-J64 VCE Dumps](#)

[HP0-J64 Practice Test](#)