



HP2-T25^{Q&As}

Servicing HP Rack-Tower Server Solutions

Pass HP HP2-T25 Exam with 100% Guarantee

Free Download Real Questions & Answers **PDF** and **VCE** file from:

<https://www.geekcert.com/HP2-T25.html>

100% Passing Guarantee
100% Money Back Assurance

Following Questions and Answers are all new published by HP Official Exam Center

-  **Instant Download** After Purchase
-  **100% Money Back** Guarantee
-  **365 Days** Free Update
-  **800,000+** Satisfied Customers





QUESTION 1

What is the term that describes the full backup typically performed by a system administrator every week?

- A. grandfather, father, son
- B. fathers
- C. grandmothers
- D. sons

Correct Answer: A

GRANDFATHER-FATHER-SON BACKUP STRATEGY

GFS (grandfather, father, son) is a tape rotation strategy. GFS simplifies tape handling by organizing rotation into daily, weekly, and monthly backup tapes. You can also create Custom backup jobs that use the GFS strategy.

QUESTION 2

What does differential backup do?

- A. backs up files since the last full backup, but does not reset the archive bit
- B. backs up all files
- C. copies all files that were changed since the last incremental backup
- D. copies all files changed after the last backup and resets the archive bit

Correct Answer: A

A differential backup is a cumulative backup of all changes made since the last full backup, i.e., the differences since the last full backup. The advantage to this is the quicker recovery time, requiring only a full backup and the last differential backup to restore the entire data repository. The disadvantage is that for each day elapsed since the last full backup, more data needs to be backed up, especially if a significant proportion of the data has changed, thus increasing backup time as compared to the incremental backup method.

QUESTION 3

A customer has a DL380p Gen8 base unit with 1 CPU, 4 x 16 GB RDIMM with 24 total DIMM slots. Which memory option is valid?

- A. Remove the existing memory and populate all memory slots with UDIMMS memory.
- B. Populate the remaining 20 memory slots with additional RDIMM memory.
- C. Populate another 8 memory slots with additional RDIMM memory.
- D. Populate the remaining 20 memory slots with additional UDIMM memory.



Correct Answer: C

/ Rules for populating processors and DIMM slots

*

Install DIMMs only if the corresponding processor is installed.

*

If only one processor is installed in a two-processor system, only half of the DIMM slots are available.

/ DL380p can use one or two processors.

Note:

*

ProLiant Gen8 servers support four different DIMM types Unbuffered with ECC Memory (UDIMMs), Registered Memory (RDIMMs), Load Reduced Memory (LRDIMMs), and HyperCloudMemory (HDIMMs).

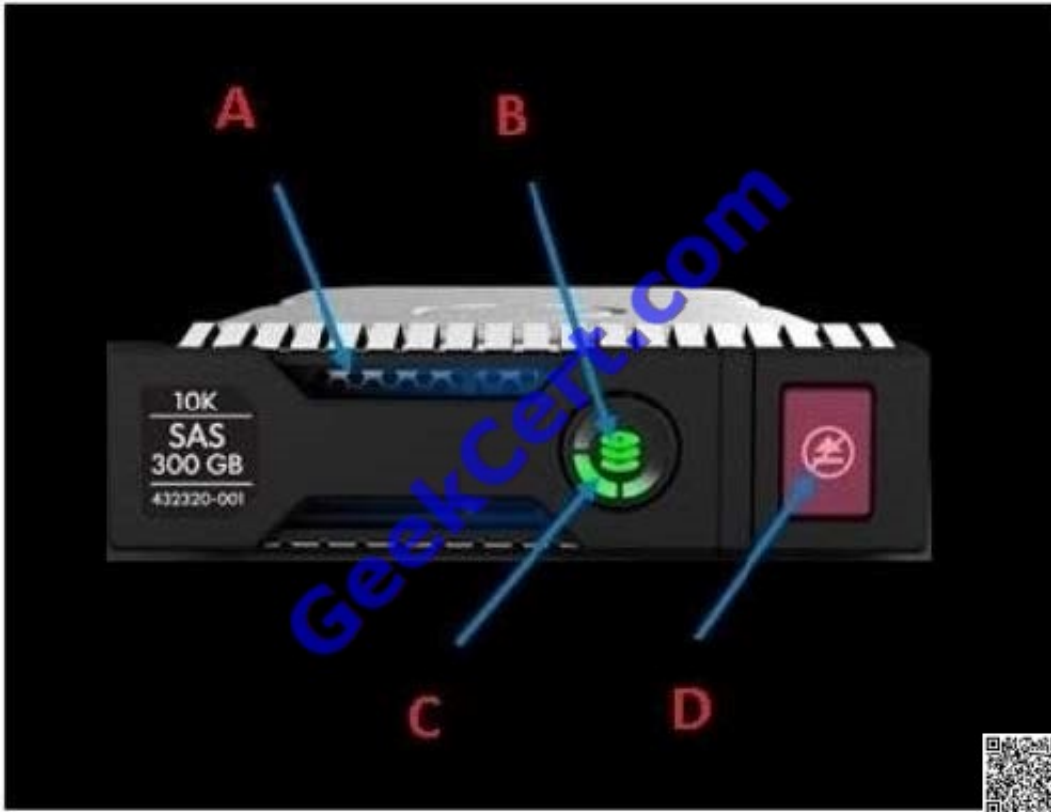
*

ProLiant Gen8 servers, we recommend populating all memory channels whenever possible. This ensures the best memory performance.

QUESTION 4

A support engineer is attending a call out for a DL360P Gen8 Server, where a hard disk within a four disk RAID 5 set has failed. The engineer notices that on three of the drives, the LED labeled D on the exhibit is on.

What does the condition indicate?



A. Hot swapping of the failed drive is not supported in this condition.

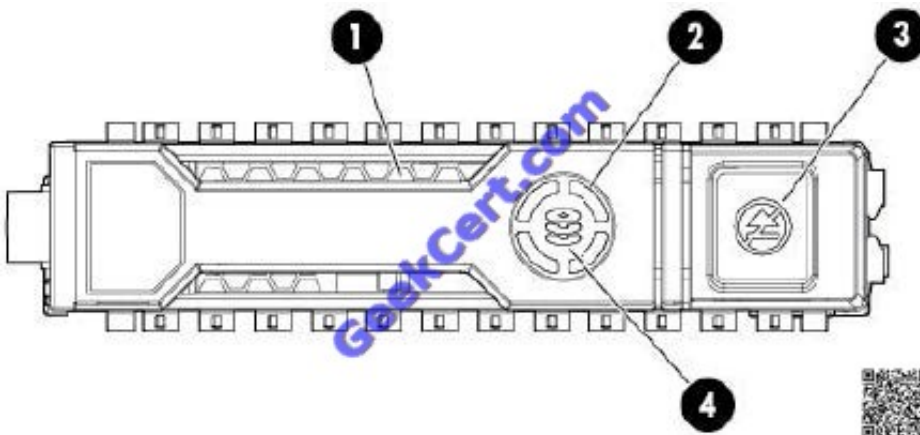
B. The LED indicates both failure and predictive failure alerts; therefore, two additional drives in the RAID set are at risk of failing and need to be replaced.

C. The drive failure has corrupted three drives in the RAID set. The array will need to be rebuilt and data restored from backup.

D. Do not remove the drives with this LED on.

Correct Answer: D

Drive LED definitions



* Do not remove / Solid white Do not remove the drive. Removing the drive causes one or more of the logical drives to



fail. / Off Removing the drive does not cause a logical drive to fail.

QUESTION 5

The mother board of an HP Integrity rx2800 i2 server needs to be replaced. Which statements are correct? (Select two.)

- A. If a Trusted Platform Module (TPM) is installed on the original system board, order and install a new TPM for the new system board.
- B. Use the UEFI shell SYSSET command to check and correct system settings, such as serial number, after the replacement.
- C. If no Trusted Platform Module (TPM) is installed on the original system board, make sure you remove it from the new system board, as it comes with a TPM installed.
- D. If a Trusted Platform Module (TPM) is installed on the original system board, take over the the original TPM to the new system board.
- E. Use the iLO/MP SYSSET command to check and correct system settings, such as serial number, after the replacement.

Correct Answer: AB

A (not D): Removing and replacing the system board IMPORTANT: If your system board has a TPM installed, you must order a new TPM when you order a replacement system board. Before replacing the system board, you must first back up the current TPM settings. See the HP-UX operating system documentation for more information. The TPM is not a customer-installable component. If you need to replace a TPM on a replacement system board, contact an HP authorized service provider.

WARNING! Once the TPM is installed on your system board, it cannot be removed. If the TPM fails, the system board needs to be replaced. Attempting to remove the TPM from the system board will void any existing HP service contract and cause the server to fail.

B: After you replace the system board, you must to set the SAS mode to RAID if that was your previous configuration.

1.

During the server startup, wait for UEFI Front Page, press S to launch the UEFI Shell.

2.

Get the saupdate.efi utility tool.

3.

Enter saupdate.efi set_mode 0:1:0:0 raid to change the SAS mode to RAID. etc

[HP2-T25 PDF Dumps](#)

[HP2-T25 Practice Test](#)

[HP2-T25 Brainsdumps](#)



To Read the [Whole Q&As](#), please purchase the [Complete Version](#) from [Our website](#).

Try our product !

- 100% Guaranteed Success
- 100% Money Back Guarantee
- 365 Days Free Update
- Instant Download After Purchase
- 24x7 Customer Support
- Average 99.9% Success Rate
- More than 800,000 Satisfied Customers Worldwide
- Multi-Platform capabilities - [Windows](#), [Mac](#), [Android](#), [iPhone](#), [iPod](#), [iPad](#), [Kindle](#)

We provide exam PDF and VCE of Cisco, Microsoft, IBM, CompTIA, Oracle and other IT Certifications. You can view Vendor list of All Certification Exams offered:

<https://www.geekcert.com/allproducts>

Need Help

Please provide as much detail as possible so we can best assist you.
To update a previously submitted ticket:



 <p>One Year Free Update Free update is available within One Year after your purchase. After One Year, you will get 50% discounts for updating. And we are proud to boast a 24/7 efficient Customer Support system via Email.</p>	 <p>Money Back Guarantee To ensure that you are spending on quality products, we provide 100% money back guarantee for 30 days from the date of purchase.</p>	 <p>Security & Privacy We respect customer privacy. We use McAfee's security service to provide you with utmost security for your personal information & peace of mind.</p>
---	---	--

Any charges made through this site will appear as Global Simulators Limited.
All trademarks are the property of their respective owners.
Copyright © geekcert, All Rights Reserved.