



# HP2-Z30<sup>Q&As</sup>

Fast Track - Applying HP FlexNetwork Fundamentals

**Pass HP HP2-Z30 Exam with 100% Guarantee**

Free Download Real Questions & Answers **PDF** and **VCE** file from:

<https://www.geekcert.com/hp2-z30.html>

100% Passing Guarantee  
100% Money Back Assurance

Following Questions and Answers are all new published by HP Official Exam Center

-  **Instant Download** After Purchase
-  **100% Money Back** Guarantee
-  **365 Days** Free Update
-  **800,000+** Satisfied Customers



**QUESTION 1**

A network administrator has an HP Comware switch that is configured with OSPF. The network administrator views the routing table and sees that a default route was learned from an OSPF neighbor (10.1.1.1). However, the network administrator wants to override this action and use a different neighbor (10.1.1.2) for the default route.

The network administrator configures this command:

```
[Comware] ip route-static 0.0.0.0 0 10.1.1.2
```

After configuring the command, the network administrator examines the routing table and notices that the original neighbor's default route is still in the routing table, but the static route is missing.

What is the cause of this problem?

- A. OSPF routes have a lower precedence value
- B. The ip default-gateway command must be used when creating a default route
- C. Only one routing protocol can be operational on a Comware device
- D. The static route has a syntax mistake

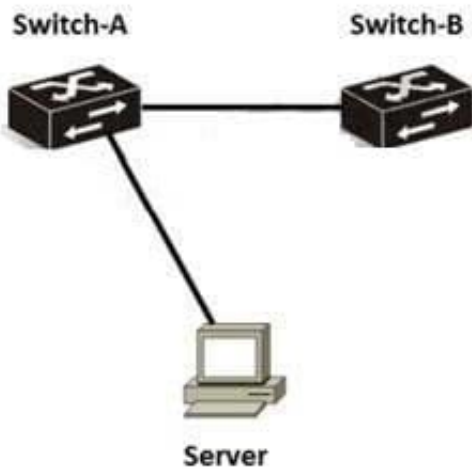
Correct Answer: A

---

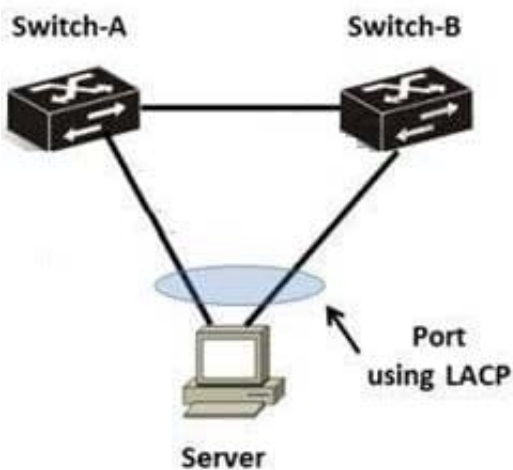
**QUESTION 2**



Present



Future



A network administrator has a server with a single link to the network. The company is concerned about redundancy and wants to implement a solution like that shown in the right-hand side of the diagram.

Which solution meets the company's needs?

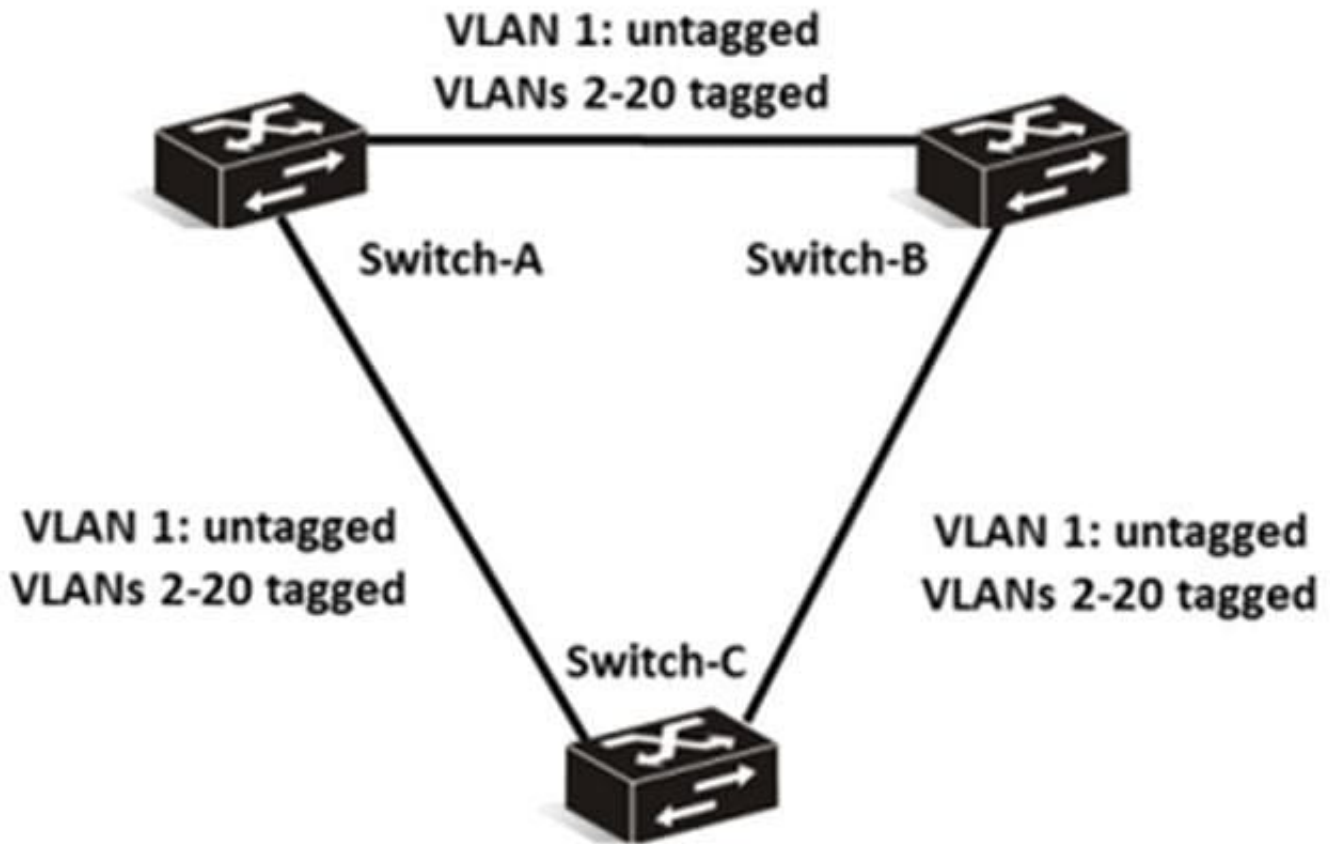
- A. HP Comware or HP ProVision switches using IRF
- B. HP Comware switches using IRF only
- C. HP Comware switches using meshed IRF or meshed stacking
- D. HP Comware switches using distributed trunking only
- E. HP Comware switches using distributed trunking or IRF

Correct Answer: B



### QUESTION 3

Refer to the network exhibit.



A network administrator has created a Layer 2 network based on the design shown in the exhibit. Switch-A and Switch-B are distribution layer switches. Switch-C is an access layer switch. All switches are HP Comware switches.

What is the best spanning tree solution for load sharing on uplinks in this environment?

- A. STP
- B. MSTP
- C. RSTP
- D. distributed trunking

Correct Answer: B

### QUESTION 4

Which HP ProVision and HP Comware commands restore a configuration file from a TFTP server to the switches' flash? (Select two.)?

- A. copy tftp://10.1.1.1/config.cfg flash:
- B. restore tftp://10.1.1.1/startup-configuration config.cfg



C. restore startup-configuration from 10.1.1.1 config.cfg

D. copy tftp config config.cfg 10.1.1.1 config.cfg pc

Correct Answer: CD

---

#### QUESTION 5

A network administrator has set up a link between two HP ProVision switches. Both switches have an IP address in VLAN 1 and can ping each other in VLAN 1. The network administrator then creates VLAN 2 and tags it to same link of both switches.

How can the network administrator verify that connectivity in VLAN2 is functional between the two switches?

A. Assign each switch an IP address in VLAN 2 and use LLDP to test connectivity.

B. Use either LLDP or ARP to test connectivity

C. Assign each switch an ip address in VLAN 2, and use ICMP or LLDP to test connectivity

D. Assign each switch an IP address in VLAN 2, and use ICMP to test connectivity

E. Use LLDP to test connectivity

Correct Answer: C

[HP2-Z30 VCE Dumps](#)

[HP2-Z30 Study Guide](#)

[HP2-Z30 Braindumps](#)