



JN0-102^{Q&As}

Juniper Networks Certified Internet Associate, Junos(JNCIA-Junos)

Pass Juniper JN0-102 Exam with 100% Guarantee

Free Download Real Questions & Answers **PDF** and **VCE** file from:

<https://www.geekcert.com/jn0-102.html>

100% Passing Guarantee
100% Money Back Assurance

Following Questions and Answers are all new published by Juniper
Official Exam Center

-  **Instant Download** After Purchase
-  **100% Money Back** Guarantee
-  **365 Days** Free Update
-  **800,000+** Satisfied Customers





QUESTION 1

Which two firewall filter actions will affect a packet's class-of-service settings? (Choose two.)

- A. Forwarding-class
- B. Scheduler
- C. Queue
- D. Loss-priority

Correct Answer: AD

QUESTION 2

-- Exhibit -[edit policy-options]

```
user@router# show
```

```
policy-statement policyABC {
```

```
term A {
```

```
from {
```

```
protocol rip;
```

```
route-filter 192.168.1.0/24 longer;
```

```
}
```

```
then accept;
```

```
}
```

```
}
```

```
[edit protocols ospf]
```

```
user@router# show
```

```
export policyABC;
```

```
area 0.0.0.0 {
```

```
interface ge-0/0/0.0;
```

```
interface lo0.0;
```

```
}
```

-- Exhibit -Referring to the exhibit, which two statements are true? (Choose two.)



- A. The route 192.168.1.0/25 is accepted.
- B. The route 192.168.2.0/24 is accepted.
- C. OSPF routes will be exported into RIP.
- D. RIP routes will be exported into OSPF.

Correct Answer: AD

QUESTION 3

Which two commands may be used when configuring an IP address for a Gigabit Ethernet interface? (Choose two.)

- A. set interfaces ge-0/0/0.0 address 10.1.1.1/24
- B. set interfaces ge-0/0/0.0 family inet address 10.1.1.1/24
- C. set interfaces ge-0/0/0 unit 0 family inet address 10.1.1.1/24
- D. set interfaces ge-0/0/0 address 10.1.1.1/24

Correct Answer: BC

QUESTION 4

```
-- Exhibit -[edit firewall family inet filter COS-CLASSIFIER]
```

```
user@router# show
```

```
term MANAGER {
```

```
from {
```

```
source-address {
```

```
192.168.200.0/25;
```

```
}
```

```
destination-address {
```

```
100.100.100.1/32;
```

```
}
```

```
}
```

```
then {
```

```
forwarding-class expedited-forwarding;
```

```
accept;
```



```
}  
}  
term ALL-OTHER-TRAFFIC {  
then accept;  
}  
[edit interfaces ge-0/0/1]  
user@router# show  
unit 0 {  
familyinet {  
filter {  
input COS-CLASSIFIER;  
}  
address 192.168.200.1/24;  
}  
}
```

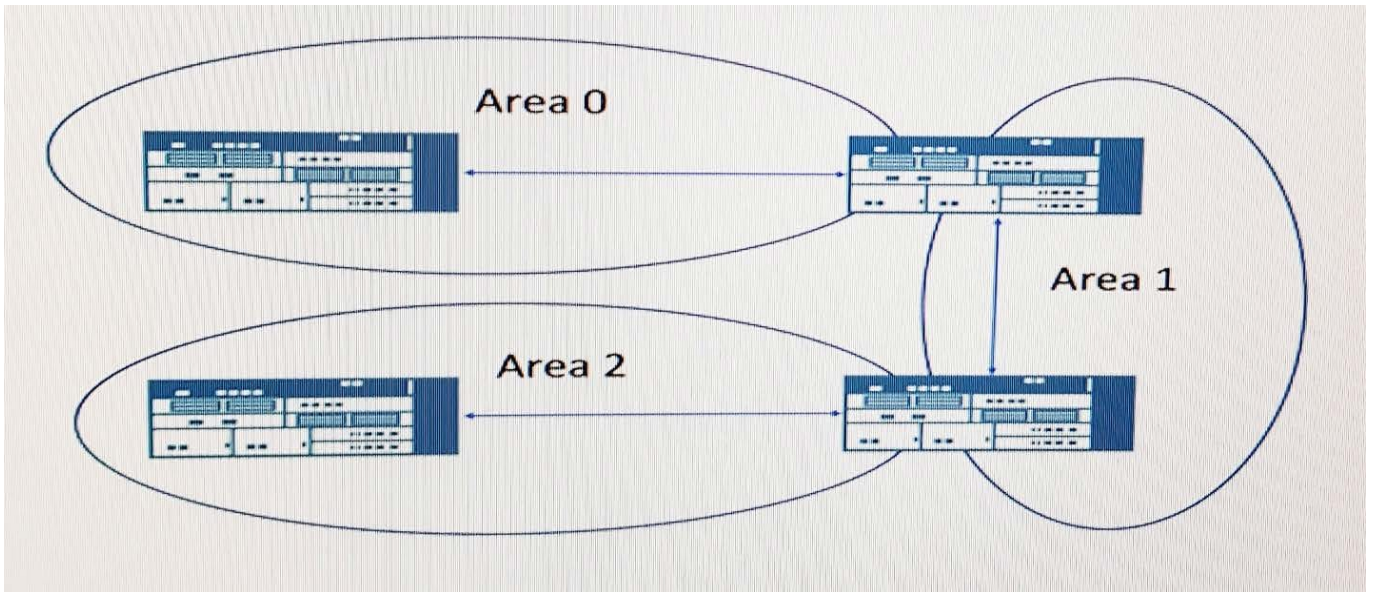
-- Exhibit -Referring to the exhibit, which type of classifier is being used in this CoS configuration?

- A. behavior aggregate
- B. policer
- C. multifield
- D. forwarding policy

Correct Answer: C

QUESTION 5

Click the Exhibit button.



Referring to the exhibit, which OSPF feature would connect Area 0 to Area 2?

- A. Route summarization
- B. Database synchronization
- C. Equal-cost multipath
- D. Virtual link

Correct Answer: D

[Latest JN0-102 Dumps](#)

[JN0-102 Exam Questions](#)

[JN0-102 Braindumps](#)