



JN0-343^{Q&As}

Juniper Networks Certified Internet Specialist (JNCIS-ENT)

Pass Juniper JN0-343 Exam with 100% Guarantee

Free Download Real Questions & Answers **PDF** and **VCE** file from:

<https://www.geekcert.com/jn0-343.html>

100% Passing Guarantee
100% Money Back Assurance

Following Questions and Answers are all new published by Juniper
Official Exam Center

-  **Instant Download** After Purchase
-  **100% Money Back** Guarantee
-  **365 Days** Free Update
-  **800,000+** Satisfied Customers





QUESTION 1

-- Exhibit -

```
{master:0}[edit interfaces]
```

```
user@switch# show
```

```
ge-0/0/6 {
```

```
unit 0 {
```

```
family ethernet-switching {
```

```
port-mode access; vlan {
```

```
members vlan100;
```

```
}
```

```
}
```

```
}
```

```
}
```

```
ge-0/0/7 {
```

```
unit 0 {
```

```
family ethernet-switching {
```

```
port-mode access;
```

```
vlan {
```

```
members vlan100;
```

```
}
```

```
}
```

```
}
```

```
}
```

```
{master:0}[edit ethernet-switcing-options]
```

```
user@switch#show
```

```
secure-access-port {
```

```
interface ge-0/0/6.0 {
```

```
mac-limit 1 action drop;
```



```
}  
  
vlan 100 {  
  
mac-move-limit 1 action drop;  
  
}  
  
}
```

-- Exhibit -Referring to the exhibit, what will the mac-move-limit command on ge-0/0/6 do?

- A. Packets will be dropped if the switch detects the same source MAC address on interface ge-0/0/6 and ge-0/0/7.
- B. Packets will be dropped if the switch detects the same source MAC address on two separate interfaces in VLAN 100.
- C. Packets will be dropped and the event will be logged if the switch detects the same source MAC address on two separate interfaces in VLAN 100.
- D. Packets will be dropped and the event will be logged if the switch detects the same source MAC address on ge-0/0/6 and ge-0/0/7.

Correct Answer: A

QUESTION 2

You are using redundant trunk groups (RTG) on your network.

Which two statements accurately describe RTG? (Choose two.)

- A. RTG interfaces pass BPDU packets.
- B. Aggregate Ethernet (AE) interfaces cannot be part of an RTG.
- C. RTG is used as an alternative to STP/RSTP.
- D. RTG connects an access switch to two aggregation switches.

Correct Answer: CD

QUESTION 3

You are implementing a Layer 3 VPN on a Junos device.

Which routing instance type would you use?

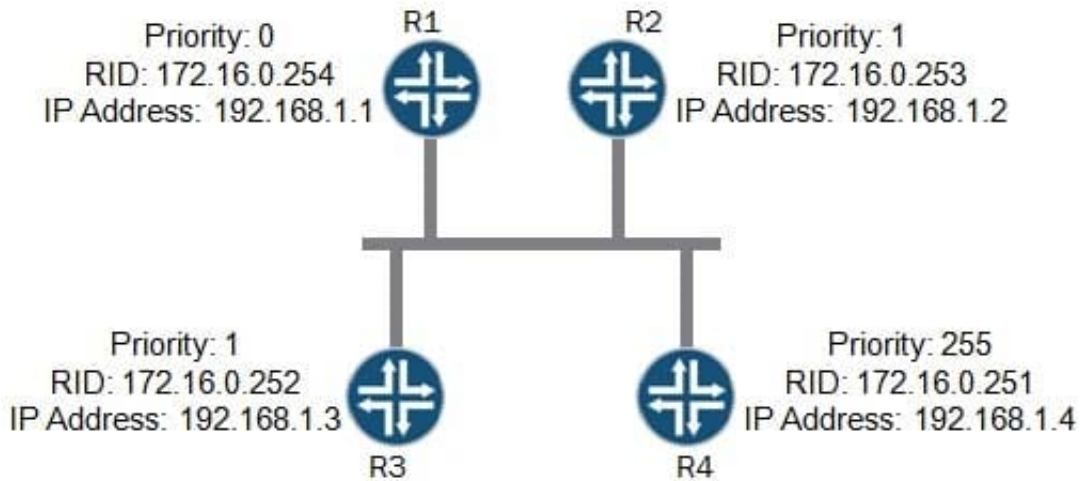
- A. virtual router
- B. VRF
- C. VPLS



D. forwarding

Correct Answer: B

QUESTION 4



If all OSPF routers shown in the exhibit boot at the same time, which router will be elected as the designated router?

A. R1

B. R2

C. R3

D. R4

Correct Answer: D

QUESTION 5

How much overhead does the GRE header add to an IPv4 packet?

A. 24 bytes

B. 32 bytes

C. 48 bytes

D. 64 bytes

Correct Answer: A