



JN0-360^{Q&As}

Service Provider Routing and Switching, Specialist (JNCIS-SP)

Pass Juniper JN0-360 Exam with 100% Guarantee

Free Download Real Questions & Answers **PDF** and **VCE** file from:

<https://www.geekcert.com/JN0-360.html>

100% Passing Guarantee
100% Money Back Assurance

Following Questions and Answers are all new published by Juniper
Official Exam Center

-  **Instant Download** After Purchase
-  **100% Money Back** Guarantee
-  **365 Days** Free Update
-  **800,000+** Satisfied Customers





QUESTION 1

You have configured MPLS and RSVP in your network using all of the Junos defaults. You have established an LSP in your network, which is reporting a status of "Up", but no traffic is using it. Which two statements reflect potential causes for this issue? (Choose two)

- A. The LSP egress address is a physical interface address
- B. family MPLS was omitted from the router configurations
- C. No BGP routes are being advertised from the remote neighbor
- D. The LSP egress address does not match the BGP next-hop address

Correct Answer: CD

QUESTION 2

Which three statements are correct about VRRP? (Choose three.)

- A. It requires speakers to be configured with BFD.
- B. It uses a virtual router MAC address for LAN communications.
- C. It uses multicast address 224.0.0.18.
- D. It is confined to the local network with a TTL of 255.
- E. It uses the virtual router's lo0 address for LAN communications.

Correct Answer: BCD

QUESTION 3

Click the Exhibit.



```
[edit]
user@router# show interfaces
ge-1/0/0 {
  unit 0 {
    family inet {
      address 172.18.2.1/24;
    }
  }
}
ge-1/0/1 {
  unit 0 {
    family inet {
      address 172.18.1.1/24;
    }
  }
}
lo0 {
  unit 0 {
    family inet {
      address 1.1.1.1/32;
    }
  }
}

[edit]
user@router# show protocols ospf
export policy1;
area 0.0.0.0 {
  interface ge-1/0/0.0;
  interface lo0.0;
}

[edit]
user@router# show policy-options
policy-statement policy {
  term match-direct-route {
    from {
      protocol direct;
      route-filter 172.18.1.0/24 exact;
    }
    then accept;
  }
}

[edit]
user@router# run show route

inet.0: 7 destinations, 7 routes (7 active, 0 holddown, 0 hidden)
+= Active Route,- = Last Active, *= Both

1.1.1.1/32          *[Direct/0] 2w0d 23:45:55
> via lo0.0
2.2.2.2/32          *[OSPF/10] 00:06:19, metric 1
> to 172.18.2.2 via ge-1/0/0.0
172.18.1.0/24       *[Direct/0] 00:11:19
>via ge-1/0/1.0
172.18.1.1/32       *[Local/0] 00:11:19
Local via ge-1/0/1.0
172.18.2.0/24       [Direct/0] 00:11:19
>via ge-1/0/0.0
172.18.2.1/32       *[Local/0] 00:11:19
Local via ge-1/0/0.0
224.0.0.5/32        *[OSPF/10] 00:11:21, metric 1
MultiRecv

inet6.0: 1 destinations, 1 routes (1 active, 0 holddown, 0 hidden)
+ = Active Route,- = last Active, * =Both

ff02::2/128         *[INET6/0] 13w2d 18:49:23
MultiRecv
```



Referring to the exhibit, what is the result of applying this policy?

- A. The 172.18.1.0/24 prefix will be redistributed into OSPF as an internal route.
- B. The 172.18.1.1/32 prefix will be redistributed into OSPF as an external route.
- C. The 172.18.1.0/24 prefix will be redistributed into OSPF as an external route.
- D. The 172.18.1.1/32 prefix will be redistributed into OSPF as an internal route.

Correct Answer: C

QUESTION 4

What are two valid actions that can be applied to a frame by a Layer 2 firewall filter? (Choose two)

- A. Log
- B. loss-priority
- C. sample
- D. count

Correct Answer: BD

You can specify the following filter actions:

*

accept

*

count counter-name

*

discard

*

dscp code-point (family inet only)

*

forwarding-class class-name

*

ipsec-sa ipsec-sa (family inet only)

*

load-balance group-name (family inet only)



*

log (family inet and inet6 only)

*

logical-system logical-system-name (family inet and inet6 only)

*

loss-priority (high | medium-high | medium-low | low)

*

next term

*

next-hop-group group-name (family inet only)

*

policer policer-name

*

port-mirror (family bridge, ccc, inet, inet6, and vpls only)

*

prefix-action action-name (family inet only)

*

reject (family inet and inet6 only)

*

routing-instance routing-instance-name (family inet and inet6 only)

*

sample (family inet, inet6, and mpls only)

*

service-accounting (service filters and family inet or inet6 only)

*

service-filter-hit (service filters and family inet or inet6 only)

*

syslog (family inet and inet6 only)

*



three-color-policer policer-name

*

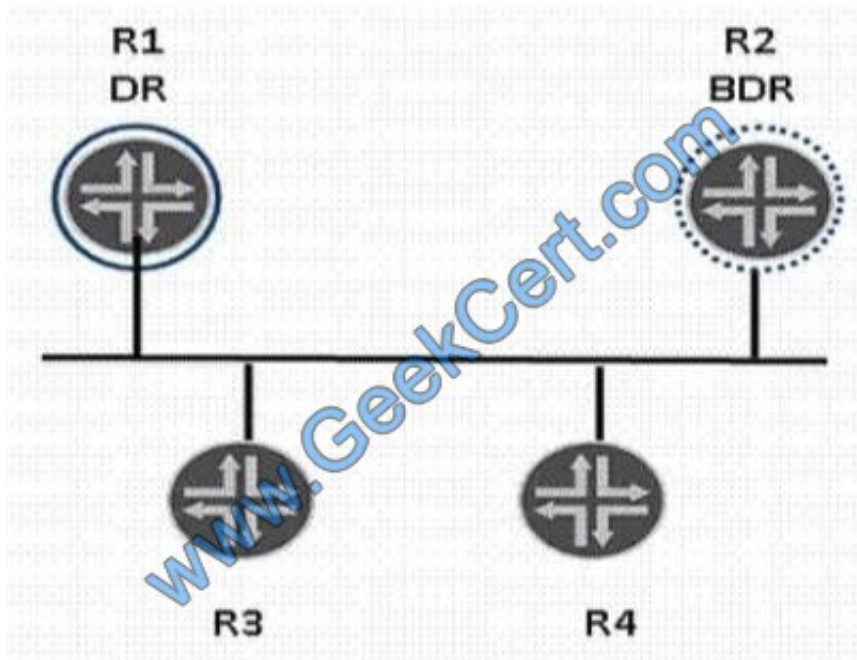
topology topology-name (family inet and inet6 only)

*

traffic-class code-point (family inet6) only

QUESTION 5

Click the Exhibit button In the exhibit, how many full OSPF adjacencies will R3 have?



A. 0

B. 1

C. 2

D. 3

Correct Answer: C

[JN0-360 PDF Dumps](#)

[JN0-360 VCE Dumps](#)

[JN0-360 Exam Questions](#)



To Read the [Whole Q&As](#), please purchase the [Complete Version](#) from [Our website](#).

Try our product !

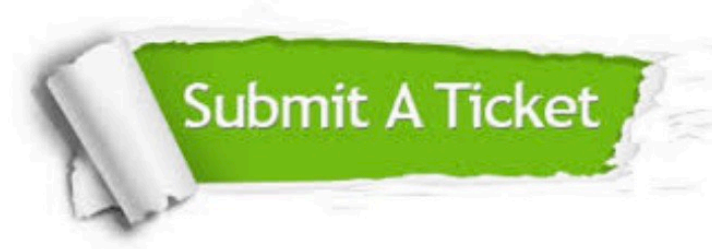
100% Guaranteed Success
100% Money Back Guarantee
365 Days Free Update
Instant Download After Purchase
24x7 Customer Support
Average 99.9% Success Rate
More than 800,000 Satisfied Customers Worldwide
Multi-Platform capabilities - [Windows](#), [Mac](#), [Android](#), [iPhone](#), [iPod](#), [iPad](#), [Kindle](#)

We provide exam PDF and VCE of Cisco, Microsoft, IBM, CompTIA, Oracle and other IT Certifications.
You can view Vendor list of All Certification Exams offered:

<https://www.geekcert.com/allproducts>

Need Help

Please provide as much detail as possible so we can best assist you.
To update a previously submitted ticket:



 <p>One Year Free Update Free update is available within One Year after your purchase. After One Year, you will get 50% discounts for updating. And we are proud to boast a 24/7 efficient Customer Support system via Email.</p>	 <p>Money Back Guarantee To ensure that you are spending on quality products, we provide 100% money back guarantee for 30 days from the date of purchase.</p>	 <p>Security & Privacy We respect customer privacy. We use McAfee's security service to provide you with utmost security for your personal information & peace of mind.</p>
---	---	--

Any charges made through this site will appear as Global Simulators Limited.
All trademarks are the property of their respective owners.
Copyright © geekcert, All Rights Reserved.