



JN0-692^{Q&As}

Service Provider Routing and Switching Support, Professional

Pass Juniper JN0-692 Exam with 100% Guarantee

Free Download Real Questions & Answers **PDF** and **VCE** file from:

<https://www.geekcert.com/jn0-692.html>

100% Passing Guarantee
100% Money Back Assurance

Following Questions and Answers are all new published by Juniper
Official Exam Center

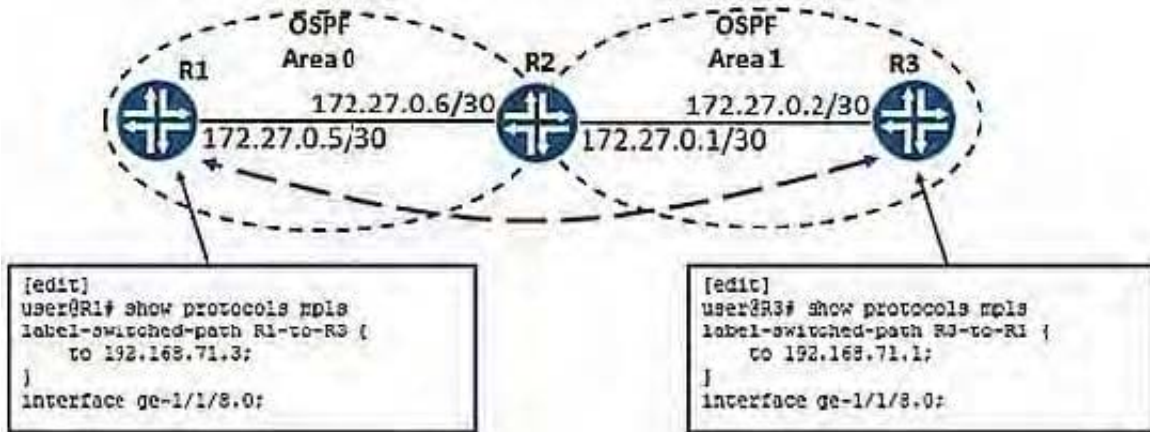
-  **Instant Download** After Purchase
-  **100% Money Back** Guarantee
-  **365 Days** Free Update
-  **800,000+** Satisfied Customers





QUESTION 1

You have configured bidirectional LSPs between R1 and R3. You notice that the LSPs are not coming up.



Referring to the exhibit, which statement is correct?

- A. You must disable CSPF for the LSPs.
- B. You must enable CSPF for the LSPs.
- C. You must ensure type 5 LSAs are allowed in area 1.
- D. You must ensure OSPF traffic engineering is configured.

Correct Answer: A

QUESTION 2

Your currently configured regular expression does not match the AS path shown below:

2135 55 55 55 55 3796

Which three regular expressions would match this path? (Choose three.)

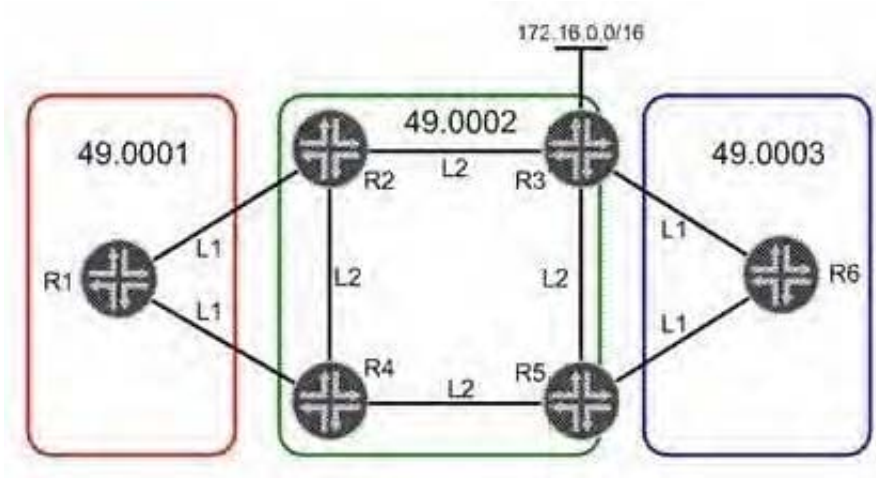
- A. ".2135"
- B. "2135.*"
- C. "* 55(1, 3) *"
- D. "2135 55(5) 3796"
- E. "2135 55(1, 2) 3796"

Correct Answer: BCE



QUESTION 3

Click the Exhibit button.



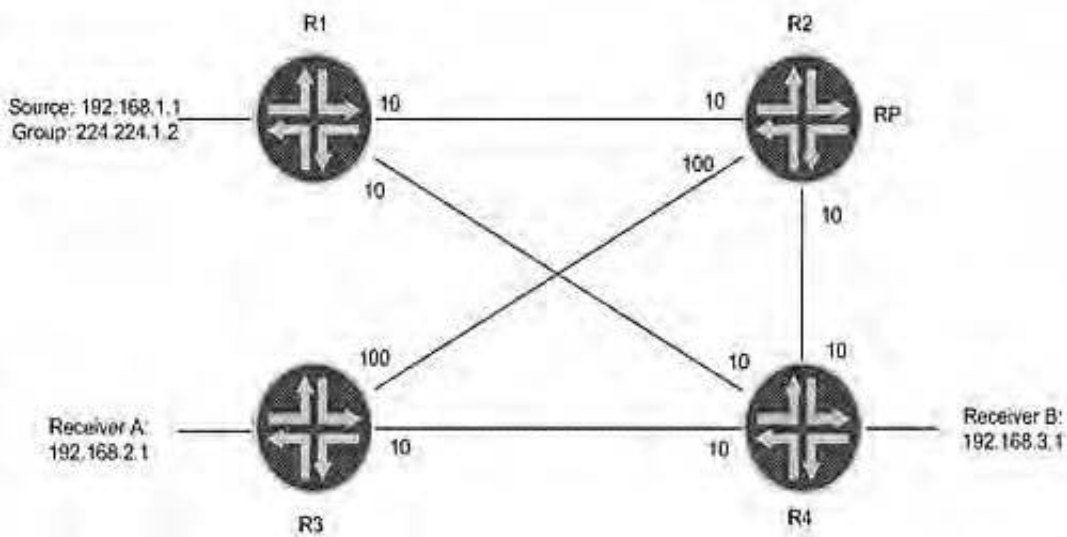
In the exhibit, network 172.16.0.0/16 is redistributed into IS-IS in Area 49.0002. R1 must use R2 to access 172.16.0.0/16. All other traffic leaving Area 49.0001 must use R4. Which three steps will accomplish this task? (Choose three.)

- A. Configure R1 to ignore the attached bit.
- B. Disable the attached bit on R4 in Area 49.0001.
- C. Enable an L2 adjacency on the link between R1 and R2.
- D. Leak network 172.16.0.0/16 into L1 on R2.
- E. Redistribute a static default route into L1 on R4.

Correct Answer: ACD

QUESTION 4

Click the Exhibit button.



In the exhibit, what happens if the source starts sending multicast traffic toward R1 and there are receivers registered at the RP?

- A. R1 encapsulates the multicast packets into a PIM register multicast packet.
- B. R1 encapsulates the multicast packets into PIM join unicast messages.
- C. R1 forwards the multicast packets on the S,G tree towards the RP.
- D. R1 tunnels the multicast packets in PIM register messages toward the RP.

Correct Answer: D

QUESTION 5

What are three Junos automation scripts? (Choose three.)

- A. op scripts
- B. pulse scripts
- C. commit scripts
- D. event scripts
- E. action scripts

Correct Answer: ACD

[Latest JN0-692 Dumps](#)

[JN0-692 VCE Dumps](#)

[JN0-692 Study Guide](#)