



JN0-692^{Q&As}

Service Provider Routing and Switching Support, Professional

Pass Juniper JN0-692 Exam with 100% Guarantee

Free Download Real Questions & Answers **PDF** and **VCE** file from:

<https://www.geekcert.com/jn0-692.html>

100% Passing Guarantee
100% Money Back Assurance

Following Questions and Answers are all new published by Juniper
Official Exam Center

-  **Instant Download** After Purchase
-  **100% Money Back** Guarantee
-  **365 Days** Free Update
-  **800,000+** Satisfied Customers





QUESTION 1

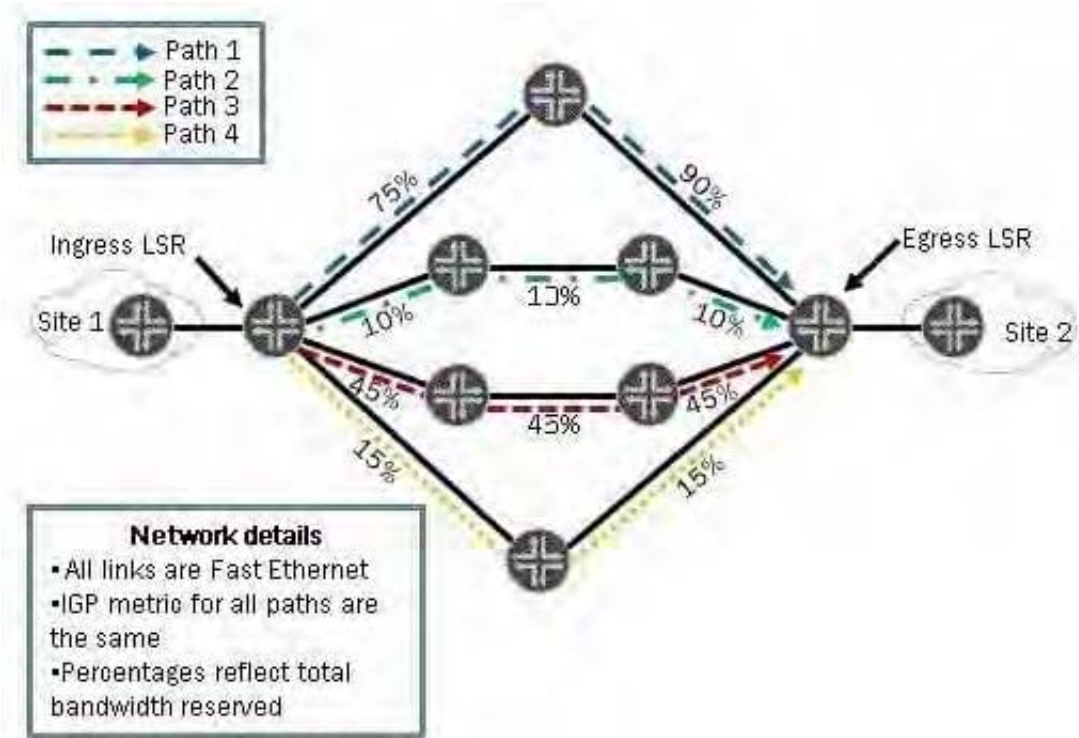
Which statement is true about IS-IS?

- A. IS-IS level 1 internal routes are announced to level 2 by default.
- B. All IS-IS level 1 routes are announced to level 2 by default.
- C. IS-IS level 2 internal routes are announced to level 1 by default.
- D. IS-IS does not share routes between level 1 and level 2 by default.

Correct Answer: A

QUESTION 2

Click the Exhibit button.



You have an MPLS network and you have configured least-fill as your CSPF tiebreaker.

Using the information in the exhibit, which path will be used to signal a new LSP requiring 12 Mbps?

- A. Path 1
- B. Path 2
- C. Path 3



D. Path 4

Correct Answer: D

QUESTION 3

Click the Exhibit button.

```
[edit]
root@R4# run show isis database
IS-IS level 1 link-state database:
LSP ID                Sequence  Checksum  Lifetime  Attributes
R4.00-00              0x2      0xcfbc    1072      L1 L2
R3.00-00              0x3      0xf316    1192      L1 L2 Overload
R3.02-00              0x2      0xc17e    1192      L1 L2
  3 LSPs

IS-IS level 2 link-state database:
LSP ID                Sequence  Checksum  Lifetime  Attributes
R4.00-00              0x2      0x4baa    1073      L1 L2
  1 LSPs
```

Based on the output in the exhibit, which statement is correct?

- A. R4 has been configured with an IS-IS export policy and is announcing external routing information.
- B. R3 and R4 have an adjacency at both level 1 and level 2.
- C. R3 has been configured so that it is not used for transit traffic.
- D. R3 and R4 are both attached to other IS-IS areas.

Correct Answer: C

QUESTION 4

You are evaluating a routing policy for an ISP and you find the `^42+ .* (23|9)$` regular expression. Which three AS paths match the regular expression? (Choose three.)

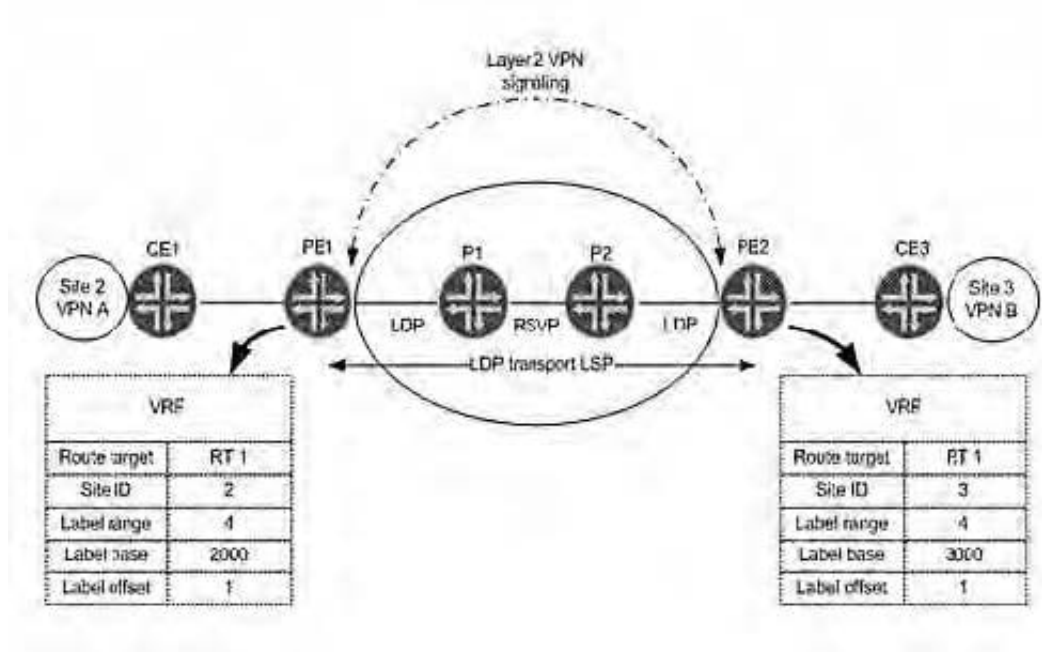
- A. 42 42 42 42 9
- B. 42 42 23 500
- C. 42 42 42 60 9
- D. 42 60 23 9 42
- E. 42 69 500 23

Correct Answer: ACE



QUESTION 5

Click the Exhibit button.



In the exhibit, on which label value does PE1 expect to receive traffic from CE3 for VPN A?

- A. 2002
- B. 3001
- C. 3002
- D. 2001

Correct Answer: A

[Latest JN0-692 Dumps](#)

[JN0-692 VCE Dumps](#)

[JN0-692 Brindumps](#)