



# NS0-502<sup>Q&As</sup>

NetApp Certified Implementation Engineer-SAN and Virtualization

## Pass NetApp NS0-502 Exam with 100% Guarantee

Free Download Real Questions & Answers **PDF** and **VCE** file from:

<https://www.geekcert.com/ns0-502.html>

100% Passing Guarantee  
100% Money Back Assurance

Following Questions and Answers are all new published by NetApp  
Official Exam Center

-  **Instant Download** After Purchase
-  **100% Money Back** Guarantee
-  **365 Days** Free Update
-  **800,000+** Satisfied Customers





### QUESTION 1

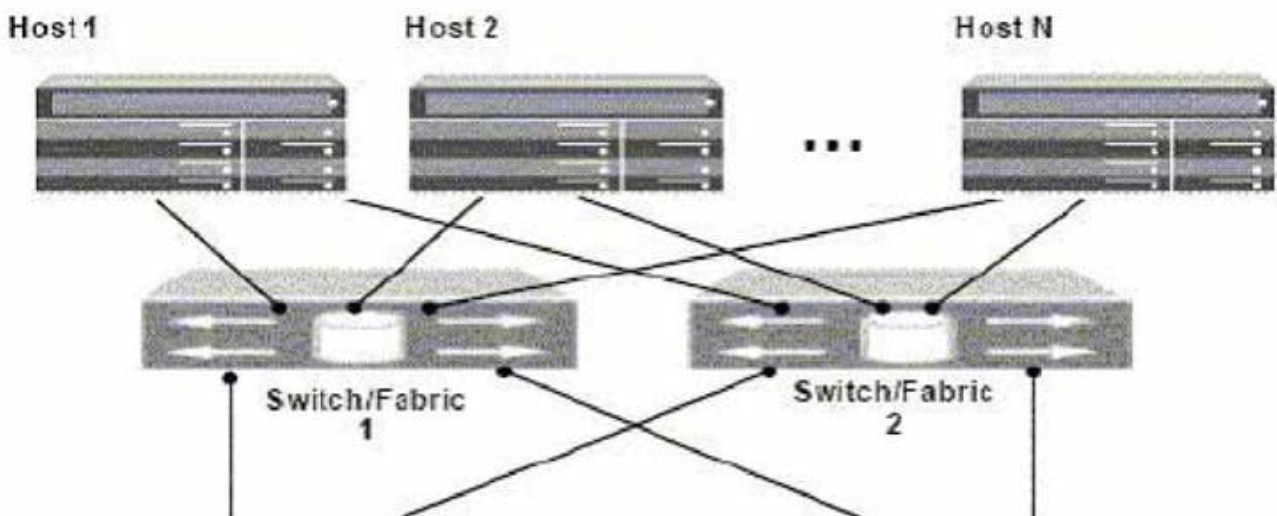
What is the default Ethernet packet size (or MTU - Maximum Transmission Unit) for Ethernet ports on Ethernet switches?

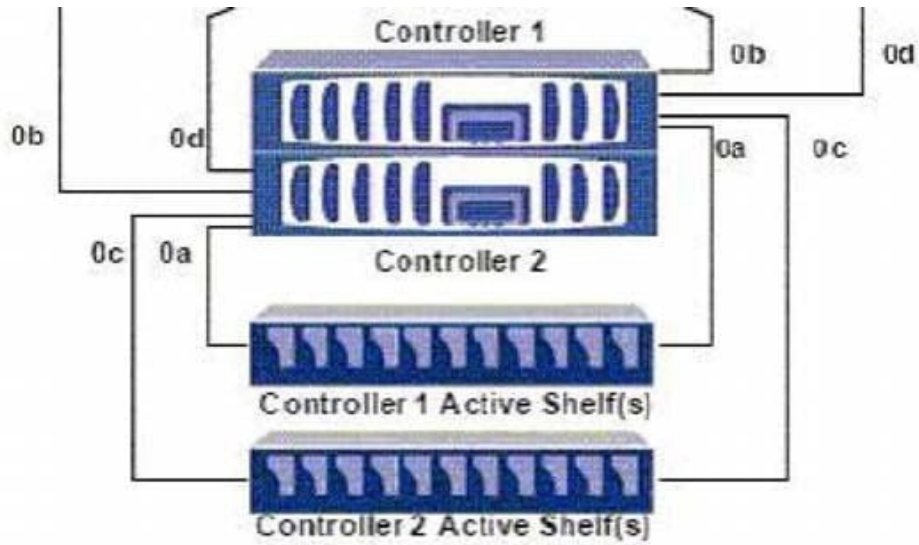
- A. 2112 bytes
- B. 9000 bytes
- C. 1500 bytes
- D. 12000 bytes

Correct Answer: C

### QUESTION 2

Click the Exhibit button.





In the diagram shown, a portset is created on controller 1 with the command:

`controller1>portset create -f ntapportset 0b`. This portset is bound to the igroup with all the initiators in it. How many paths can host 1 see to a LUN on controller 1?

- A. six paths
- B. four paths
- C. eight paths
- D. two paths

Correct Answer: D

### QUESTION 3

Which three steps are required to make a LUN visible to a NPIV-supported VM? (Choose three.)

- A. Map a LUN to the igroup containing the NPIV WWPNS.
- B. Configure a matching NPIV port on the NetApp controller.
- C. Set `options.npiv.enable` to TRUE on the NetApp controller.
- D. Create a zone containing NetApp target ports and NPIV WWPNS.
- E. Create an igroup on the NetApp controller containing the NPIV WWPNS.

Correct Answer: ADE

**QUESTION 4**

NetApp supports multiple FC paths from the host to the NetApp storage controllers. In addition to using multiple FC switches, which other NetApp supported components should you use for this type of configuration?

- A. multipathing host software, multiple storage controllers with multiple target ports each
- B. HBA with driver and firmware, multiple storage controllers with multiple target ports each
- C. HBA with driver and firmware, multipathing host software, multiple storage controllers with multiple initiator ports each
- D. HBA with driver and firmware, multipathing host software, multiple storage controllers with multiple target ports each

Correct Answer: D

---

**QUESTION 5**

Which utility on Solaris 10 can be used to collect information about firmware and driver versions for a Qlogic QLxxxx/QLExxxx HBA?

- A. EMutil
- B. SANutil
- C. cfgadmin
- D. SANsurfer
- E. HBAnywhere

Correct Answer: D

[Latest NS0-502 Dumps](#)

[NS0-502 PDF Dumps](#)

[NS0-502 VCE Dumps](#)