



NS0-502^{Q&As}

NetApp Certified Implementation Engineer-SAN and Virtualization

Pass NetApp NS0-502 Exam with 100% Guarantee

Free Download Real Questions & Answers **PDF** and **VCE** file from:

<https://www.geekcert.com/ns0-502.html>

100% Passing Guarantee
100% Money Back Assurance

Following Questions and Answers are all new published by NetApp
Official Exam Center

-  **Instant Download** After Purchase
-  **100% Money Back** Guarantee
-  **365 Days** Free Update
-  **800,000+** Satisfied Customers





QUESTION 1

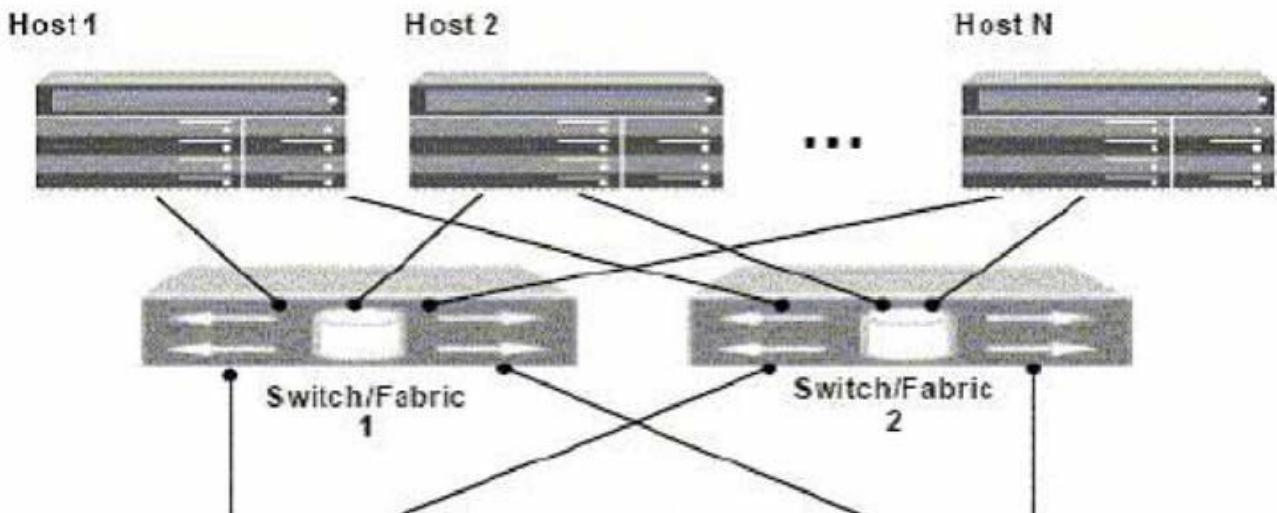
Which type of multipathing does Linux support?

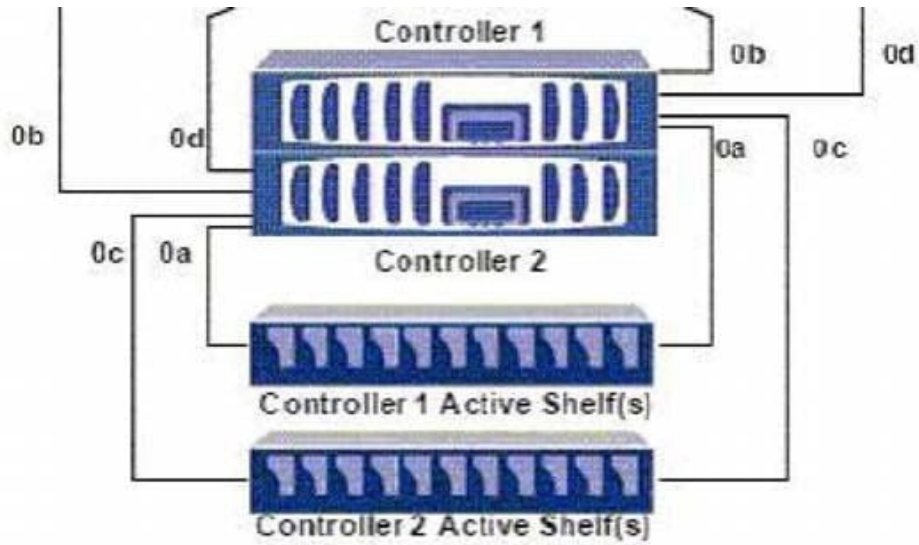
- A. dm_mp
- B. dsm
- C. mpio
- D. mcs

Correct Answer: A

QUESTION 2

Click the Exhibit button.





In the diagram shown, a portset is created on controller 1 with the command:

`controller1>portset create -f ntapportset 0b`. This portset is bound to the igroup with all the initiators in it. How many paths can host 1 see to a LUN on controller 1?

- A. six paths
- B. four paths
- C. eight paths
- D. two paths

Correct Answer: D

QUESTION 3

A company has an assortment of operating systems in their environment.

Which operating system is NOT currently supported by NetApp for their FC solutions?

- A. Windows 2008 Server
- B. Solaris 10
- C. Windows NT
- D. IBM AIX

Correct Answer: C



QUESTION 4

When planning for fault tolerant power connections, how should each device to be connected?

- A. with a single power feed
- B. with dual power feeds
- C. with dual power feeds connected to separate outlets
- D. with dual power feeds connected to separate circuits

Correct Answer: D

QUESTION 5

You are creating an acceptance test plan and the subject of performance is raised.

How should you define what the minimum performance should be?

- A. You should look up the test results for a similar system in previous performance testing and use those numbers.
- B. You should work with the customer to understand their performance expectations and determine the minimum performance they require for the application this system will support.
- C. You should use the published maximum performance specifications for this system.
- D. You should use the published minimum performance specifications for this system.

Correct Answer: B

[NS0-502 PDF Dumps](#)

[NS0-502 Study Guide](#)

[NS0-502 Exam Questions](#)