



ASVAB-SECTION-3^{Q&As}

ASVAB Section Three : Mechanical Comprehension

Pass ASVAB ASVAB-SECTION-3 Exam with 100% Guarantee

Free Download Real Questions & Answers **PDF** and **VCE** file from:

<https://www.geekcert.com/asvab-section-3.html>

100% Passing Guarantee
100% Money Back Assurance

Following Questions and Answers are all new published by ASVAB
Official Exam Center

-  **Instant Download** After Purchase
-  **100% Money Back** Guarantee
-  **365 Days** Free Update
-  **800,000+** Satisfied Customers





QUESTION 1

If a house key, a wooden spoon, a plastic hanger, and a wool jacket are all the same temperature, which one feels the coldest?

- A. key
- B. spoon
- C. hanger
- D. jacket

Correct Answer: B

The key will feel coldest because metal is a better conductor than the other materials.

QUESTION 2

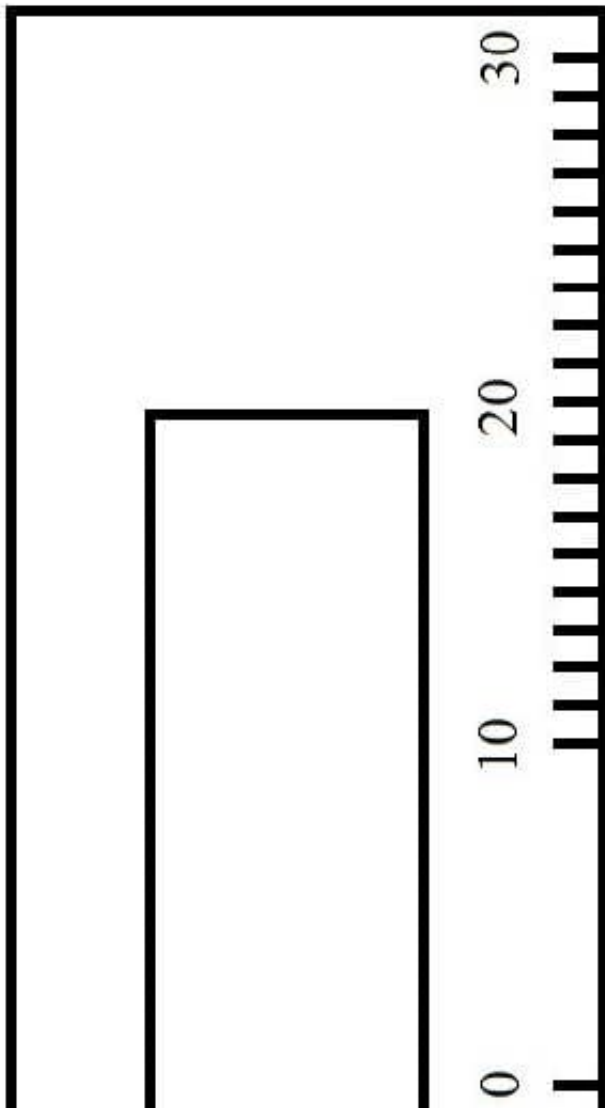
When a football is thrown upwards in the air, what causes it to arc back towards the ground?

- A. Centrifugal force
- B. Gravity
- C. Friction
- D. Wind resistance

Correct Answer: B

Gravity is the force that causes objects to be pulled back towards the earth.

QUESTION 3



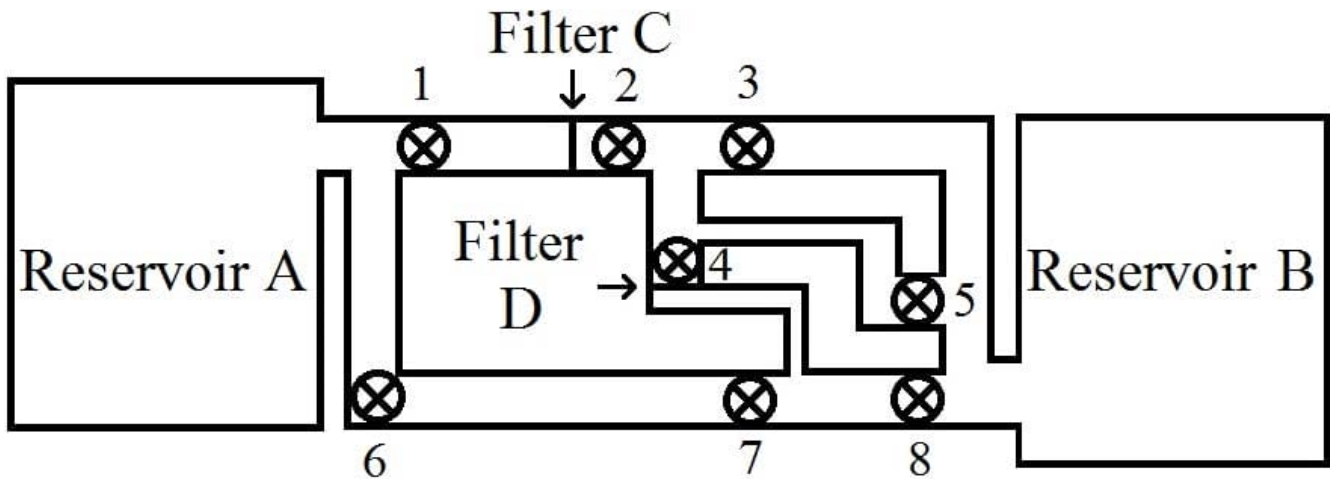
The pressure gauge in the figure above shows a reading of _____.

- A. 15.0
- B. 19.5
- C. 21.0
- D. 23.0

Correct Answer: C

The gauge shows a reading of 21.

QUESTION 4



For the fuel to travel from Reservoir A to Reservoir B, passing through Filters C and D on the way, which valves must be open?

- A. 1, 2, 4, and 8
- B. 1, 2, and 3
- C. 6, 7, and 8
- D. 4, 6, and 7

Correct Answer: A

Opening Valves 1, 2, 4, and 8 allows the fuel to travel through the filters.

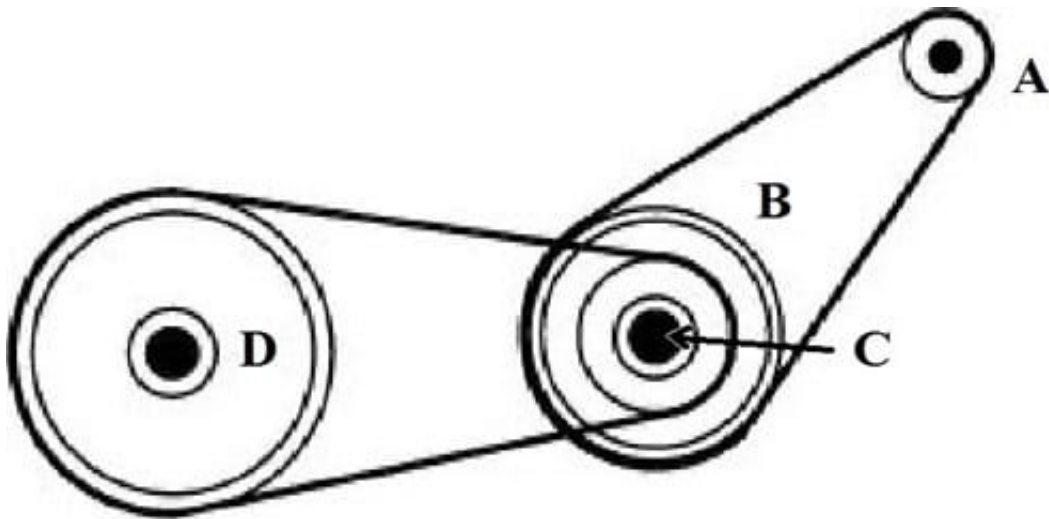
Opening Valves 1, 2, and 3 doesn't allow the fuel to travel through the filters.

Opening Valves 6, 7, and 9 doesn't allow the fuel to travel through the filters.

Opening Valves 4, 6, and 7 will allow fuel to travel through the filters but not to Reservoir B.

QUESTION 5

If Pulley A is the driver and turns counterclockwise, which pulley will turn the slowest?



A. Pulley A

B. Pulley B

C. Pulley C

D. Pulley D

Correct Answer: D

The pulley that is the largest will turn most slowly.

[ASVAB-SECTION-3
Practice Test](#)

[ASVAB-SECTION-3 Study
Guide](#)

[ASVAB-SECTION-3 Exam
Questions](#)