



# ASVAB-SECTION-4<sup>Q&As</sup>

ASVAB Section Four : Automotive & Shop Information

**Pass ASVAB ASVAB-SECTION-4 Exam with 100% Guarantee**

Free Download Real Questions & Answers **PDF** and **VCE** file from:

<https://www.geekcert.com/asvab-section-4.html>

100% Passing Guarantee  
100% Money Back Assurance

Following Questions and Answers are all new published by ASVAB  
Official Exam Center

-  **Instant Download** After Purchase
-  **100% Money Back** Guarantee
-  **365 Days** Free Update
-  **800,000+** Satisfied Customers





### QUESTION 1

The best way to sand the end grain of wood is \_\_\_\_\_.

- A. with the grain
- B. with a circular motion
- C. crosswise
- D. up and down

Correct Answer: C

The best way to sand end grain is crosswise.

---

### QUESTION 2

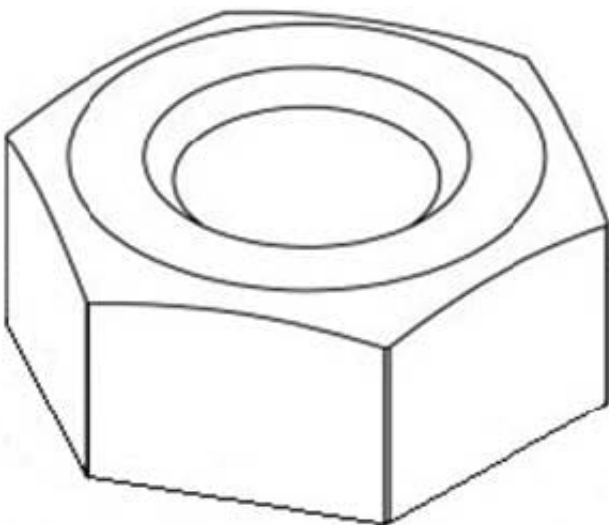
A car equipped with limited-slip differential \_\_\_\_\_.

- A. can be readily put into all-wheel (four-wheel) drive.
- B. won't lock up when the brakes are applied steadily.
- C. transfers the most driving force to the wheel with the greatest amount of traction.
- D. is rated for off-road driving.

Correct Answer: C

---

### QUESTION 3



The object above is a type of:



- A. nut
- B. washer
- C. screw
- D. bolt

Correct Answer: A

---

#### QUESTION 4

Connecting rods connect the piston to the \_\_\_\_\_.

- A. flywheel
- B. fuel pump
- C. crankshaft
- D. battery

Correct Answer: C

---

#### QUESTION 5

Which of these is not a cutting tool?

- A. allen wrench
- B. circle snips
- C. hacksaw
- D. shears

Correct Answer: A

[ASVAB-SECTION-4 VCE Dumps](#)

[ASVAB-SECTION-4 Study Guide](#)

[ASVAB-SECTION-4 Braindumps](#)