



DES-1721^{Q&As}

Specialist - Implementation Engineer-SC Series Exam

Pass EMC DES-1721 Exam with 100% Guarantee

Free Download Real Questions & Answers **PDF** and **VCE** file from:

<https://www.geekcert.com/des-1721.html>

100% Passing Guarantee
100% Money Back Assurance

Following Questions and Answers are all new published by EMC
Official Exam Center

-  **Instant Download** After Purchase
-  **100% Money Back** Guarantee
-  **365 Days** Free Update
-  **800,000+** Satisfied Customers





QUESTION 1

A customer wants to add an iSCSI path to a Microsoft Windows Server 2012 R1. The server has an existing Fibre Channel path to an SC7020 array for load balancing and high availability. Which Windows MPIO policy should be configured to achieve the customer's requirement?

- A. Fail Over Only
- B. Weighted Paths
- C. Round Robin with Subset
- D. Round Robin

Correct Answer: D

Reference: https://www.google.com/url?sa=t&drct=jandq=andesrc=sandsource=webandcd=1andcad=rjaanduaact=8andved=2ahUKEwig4LmO8KHcAhWDORQKHWPCCRQQFjAAegQIAxACandurl=http%3A%2F%2Fen.community.dell.com%2Fdfs-file%2F__key%2Ftelligent-evolution-components-attachments%2F13-4491-00-00-20-43-93-10%2FSC_2D00_Series_2D00_Synchronous_2D00_Replication_2D00_and_2D00_Live_2D00_Volume_2D00_Dell_2D00_EM_2D00_2017_2D002800_CML1064_2900_.pdf%3Fforcedownload%3Dtrue&usq=AOvVaw2U039ZfRgHPhpM3KkHmN4z

QUESTION 2

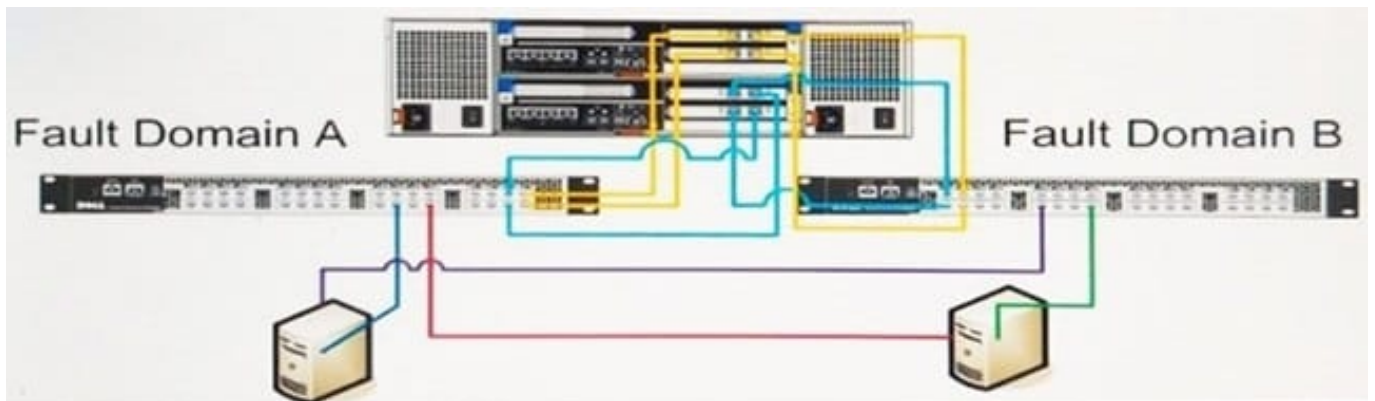
You recently deployed two SC9000 storage arrays at a customer site one week ago and verified that everything was working correctly with replication. However, the customer notifies you that every time they tested disaster recovery (DR), they lost access to the volumes when the DR array shut down.

Why did the volumes become inaccessible during testing?

- A. Asynchronous Replication with Deduplication
- B. High Consistency Synchronous Replication
- C. Asynchronous Replication with Active Replay
- D. High Availability Synchronous Replication

Correct Answer: A

QUESTION 3



Server 1
HBA 1: c0:50:76:09:cd:f6:00:04
HBA 2: c0:50:76:09:cd:f6:00:08

Server 2
HBA 1: c0:50:76:09:cd:f6:00:06
HBA 2: c0:50:76:09:cd:f6:00:0a

Refer to the exhibit.

The servers are zoned to best practices. The output of the switch is shown below:

```
switch:admin> zoneshow
zoneset Cool_vsan_20
Zone_A
c0:50:76:09:cd:f6:00:06
50:00:d3:10:00:ea:60:95
50:00:d3:10:00:ea:60:96
50:00:d3:10:00:ea:60:97
50:00:d3:10:00:ea:60:98

Zone_B
50:00:d3:10:00:ea:60:95
50:00:d3:10:00:ea:60:96
50:00:d3:10:00:ea:60:97
50:00:d3:10:00:ea:60:98
c0:50:76:09:cd:f6:00:0a

Zone_C
50:00:d3:10:00:ea:60:95
50:00:d3:10:00:ea:60:96
50:00:d3:10:00:ea:60:97
50:00:d3:10:00:ea:60:98

Zone_D
50:00:d3:10:00:ea:60:94
50:00:d3:10:00:ea:60:92
50:00:d3:10:00:ea:60:93
50:00:d3:10:00:ea:60:91
```

Which is the Physical Zone of Fault Domain B?

A. Zone_A



B. Zone_C

C. Zone_D

D. Zone_B

Correct Answer: D

QUESTION 4

What is the maximum number of disks that can be supported by an SC4020 running SCOS 6.6.4 or later?

A. 120

B. 128

C. 192

D. 196

Correct Answer: D

QUESTION 5

What are the possible methods to upgrade the firmware on a Brocade switch?

A. FTP, SFTP, and Web Tools

B. USB, FTP, and SFTP

C. USB, FTP, and Web Tools

D. USB, SFTP, and Web Tools

Correct Answer: C

[DES-1721 PDF Dumps](#)

[DES-1721 Exam Questions](#)

[DES-1721 Braindumps](#)