



E20-526^{Q&As}

XtremIO Solutions and Design Specialist Exam for Technology Architects

Pass EMC E20-526 Exam with 100% Guarantee

Free Download Real Questions & Answers **PDF** and **VCE** file from:

<https://www.geekcert.com/e20-526.html>

100% Passing Guarantee
100% Money Back Assurance

Following Questions and Answers are all new published by EMC
Official Exam Center

-  **Instant Download** After Purchase
-  **100% Money Back** Guarantee
-  **365 Days** Free Update
-  **800,000+** Satisfied Customers





QUESTION 1

A Linux administrator is attaching a new RHEL server to their XtremIO storage array. Which configuration setting should be changed?

- A. Enable Logical Volume Manager
- B. Modify the file system block size
- C. Disable HBA Queue Depth
- D. Disable I/O elevators

Correct Answer: B

The block size for both Oracle Cluster Registry (OCR) and Cluster Synchronization Services (CSS) voting files are 512 bytes. I/O operations to these file objects are therefore sized as a multiple of 512 bytes. This is of no consequence since the best practice with XtremIO is to create volumes with 512e formatting.

References: <https://www.emc.com/collateral/white-papers/h13497-oracle-best-practices-xtremio-wp.pdf> , page 22

QUESTION 2

A storage administrator wants to add a volume to their XtremIO storage array using the RESTful API. Which RESTful method should be used to complete this task?

- A. HTTP POST
- B. HTTP PATCH
- C. HTTP LINK D. HTTP PUT

Correct Answer: A

An example of a generic wrapper function that queries XtremIO REST API using HTTP/POST to create a new object with specified properties.

```
function ExecutePostRestQuery ($xmsip,$cfgOption,$data,$headers)
{
    $baseUrl = "https://" + $xmsip
    $resUrl = '/api/json/v2/types/'
    $url = $baseUrl + $resUrl + $cfgOption
    Write-Host $url
    Write-Host $data
    $jsonserialInput = New-Object -TypeName System.Web.Script.Serialization.JavaScriptSerializer
    $jsonserialOutput = New-Object -TypeName System.Web.Script.Serialization.JavaScriptSerializer
    $jsonserialInput.MaxJsonLength = [int]::MaxValue
    $jsonserialOutput.MaxJsonLength = [int]::MaxValue
    $result = (Invoke-RestMethod -Method POST -Uri $url -Body $data -Headers $headers)
    return $result
}
```

References: <https://www.emc.com/collateral/white-papers/h14980-wp-accelerate-sql-lifecyclemanagement.pdf>



QUESTION 3

A storage administrator is configuring SAN switches and zoning to connect an eight X-Brick XtremIO array. A VMware ESXi server is hosted on a blade chassis with 16 HBA ports. In addition, the SAN is composed of two separate SAN switches.

What is the recommended XtremIO best practice for zoning?

- A. Two HBA connections per host connected to a single switch Multiple initiators/multiple targets per zone Maximum of 4 paths for each LUN per zone
- B. Connect a single storage controller to the first switch Connect a second storage controller to the second switch Single initiator/multiple targets per zone Maximum of 6 paths for each LUN per zone
- C. Connect all N1 storage controllers to the first switch Connect N2 storage controllers to the second switch Multipath all host ports to single LUNs per zone Maximum of 4 paths for each LUN per zone
- D. Multiple HBA connections per host Single initiator/single target per zone Maximum of 2 paths to each X-Brick for each initiator Each host connected to each SAN switch

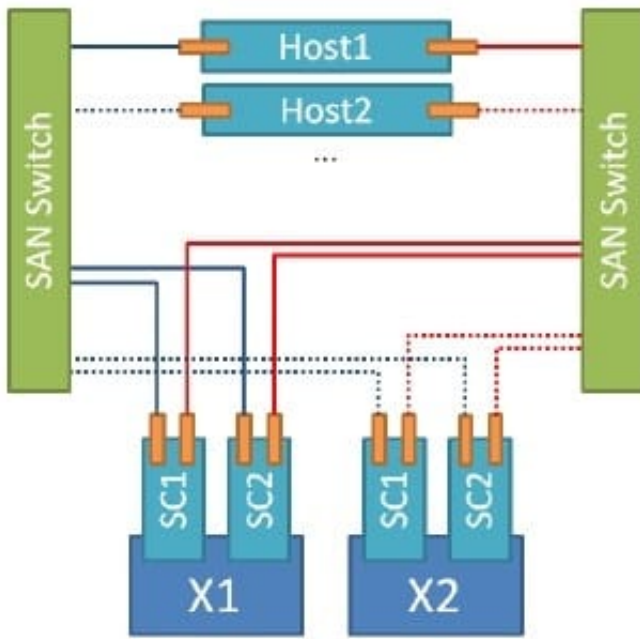
Correct Answer: B

In an environment where a host with two HBAs (VMware Best Practice) is connected to two fabrics and storage array with two Storage Controllers (EMC VNX, for example) the host will have four paths to a LUN: 2 Controllers x 2 HBAs = 4 paths

If you go to the extreme and configure your XtremIO with eight X-Brick, you have 16 controllers. Again, two HBAs per host and the max number of LUNs you can attach to an ESXi host will be 32... I understand, different OS'es may have different limits than VMware and this logic will not be applicable.

If you have hit the limit of 1024 paths per host ($1024 / 4 \text{ controllers} / 2 \text{ HBAs} = 128 \text{ LUNs}$) and need to provision more LUNs, the best way will be to re-zone the host to limit the number of X-Bricks / Controllers the host HBA can connect to.

The following diagram displays the logical connection topology for 4 paths.



Incorrect Answers:

D: Eliminate single-initiator to single-target zones.

References: <http://vstrong.info/2015/11/18/vmware-host-zoning-for-multi-x-brick-emc-xtremio-storagearray/>

QUESTION 4

A customer wants to use the Cinder driver to manage XtremIO storage in an OpenStack environment. What is a potential concern?

- A. Compression is not supported
- B. Deduplication is not supported
- C. Snapshots of snapshots are not supported
- D. Volume expansion cannot be reversed

Correct Answer: D

Incorrect Answers:

B: OpenStack Cinder features include:

Clone a volume: With inline deduplication, compression and thin provisioning.

C, D: EMC XtremIO OpenStack Block Storage driver, supported operations: Create, delete, clone, attach, and detach volumes
Create and delete volume snapshots
Create a volume from a snapshot
Copy an image to a volume
Copy a volume to an image
Extend a volume

References: <https://docs.openstack.org/juno/config-reference/content/XtremIO-cinder-driver.html>
<https://www.emc.com/collateral/data-sheet/h13287-ds-xtremio-openstack.pdf>

**QUESTION 5**

A customer has an existing Oracle environment they are considering moving over to XtremIO from VMAX for improved performance. The customer wants to know the expected deduplication and compression savings they can achieve with XtremIO.

Which tool is appropriate for conducting this assessment?

- A. EMC Backup Tool
- B. EMC Storage Tool
- C. XtremIO Sizing Tool
- D. EMC MiTrend Tool

Correct Answer: D

MiTrend has been available for EMC Employees and Partners for years, but it's a valuable tool that Customers can take advantage of also. And the price is awesome. It's FREE !

Use it for VNX, Clariion, VMAX, and many more.

References: <http://www.pragmaticio.com/2014/11/mitrend-self-service-performance-analysis-for-emc-vnx/>

[Latest E20-526 Dumps](#)

[E20-526 Practice Test](#)

[E20-526 Study Guide](#)