



H12-721^{Q&As}

HCIP-Security-CISN V3.0

Pass Huawei H12-721 Exam with 100% Guarantee

Free Download Real Questions & Answers **PDF** and **VCE** file from:

<https://www.geekcert.com/h12-721.html>

100% Passing Guarantee
100% Money Back Assurance

Following Questions and Answers are all new published by Huawei
Official Exam Center

-  **Instant Download** After Purchase
-  **100% Money Back** Guarantee
-  **365 Days** Free Update
-  **800,000+** Satisfied Customers





QUESTION 1

Below displays the IKE V1 first stage pre-shared key mode during the main mode packet switching crawl. Based on the information shown, the crawl occurs under which packet?

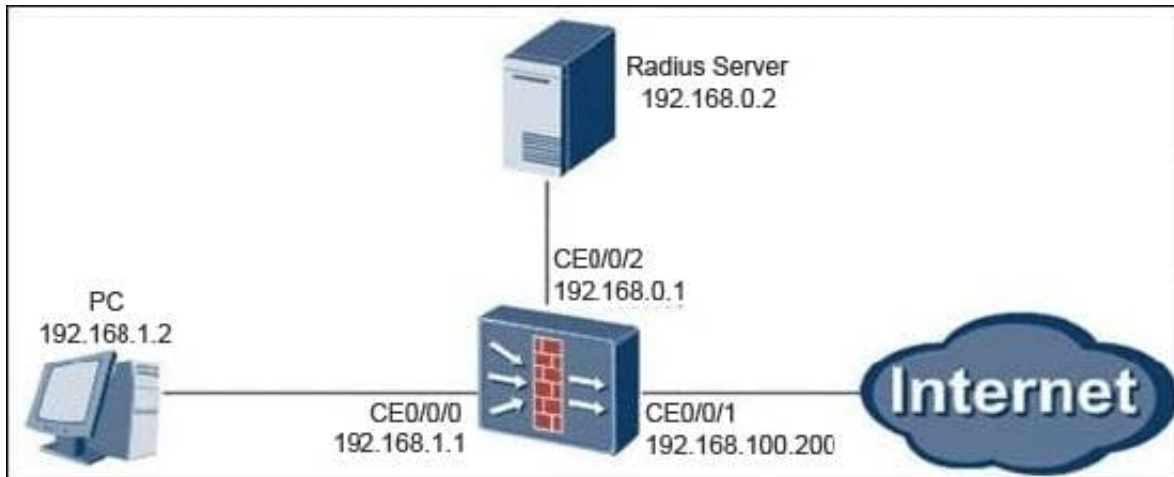
```
Frame 5 (126 bytes on wire, 126 bytes captured)
Ethernet II, Src: 00:e0:fc:d8:df:2a, Dst: 00:18:82:1f:2e:09
Internet Protocol, Src Addr: 1.1.1.1 (1.1.1.1), Dst Addr: 1.1.1.2 (1.1.1.2)
User Datagram Protocol, Src Port: isakmp (500), Dst Port: isakmp (500)
Internet Security Association and Key Management Protocol
Initiator cookie: 0xECAD6A3E49FF6033
Responder cookie: 0x0000000000000000
Next payload: Security Association (1)
Version: 1.0
Exchange type: Identity Protection (Main Mode) (2)
Flags
Message ID: 0x00000000
Length: 84
Security Association payload
Next payload: NONE (0)
Length: 56
Domain of interpretation: IPSEC (1)
Situation: IDENTITY (1)
Proposal payload # 1
Next payload: NONE (0)
Length: 44
Proposal number: 1
Protocol ID: ISAKMP (1)
SPI size: 0
Number of transforms: 1
Transform payload # 0
Next payload: NONE (0)
Length: 36
Transform number: 0
Transform ID: KEY_IKE (1)
Encryption-Algorithm (1): 3DES-CBC (5)
Hash-Algorithm (2): SHA (2)
Authentication-Method (3): PSK (1)
Group-Description (4): Default 768-bit MODP group (1)
Life-type (11): seconds (1)
Life-duration (12): duration-value (86400)
```

- A. IKE first or second Message
- B. IKE third or fourth Message
- C. IKE fifth or sixth Message
- D. IKE seventh or eighth Message

Correct Answer: A

QUESTION 2

When using Radius server to authenticate users, (topology diagram shown below) we not only need to ensure that the user name and password for the account exists on the Radius server, a firewall must be configured on a user name and password.



A. TRUE

B. FALSE

Correct Answer: B

QUESTION 3

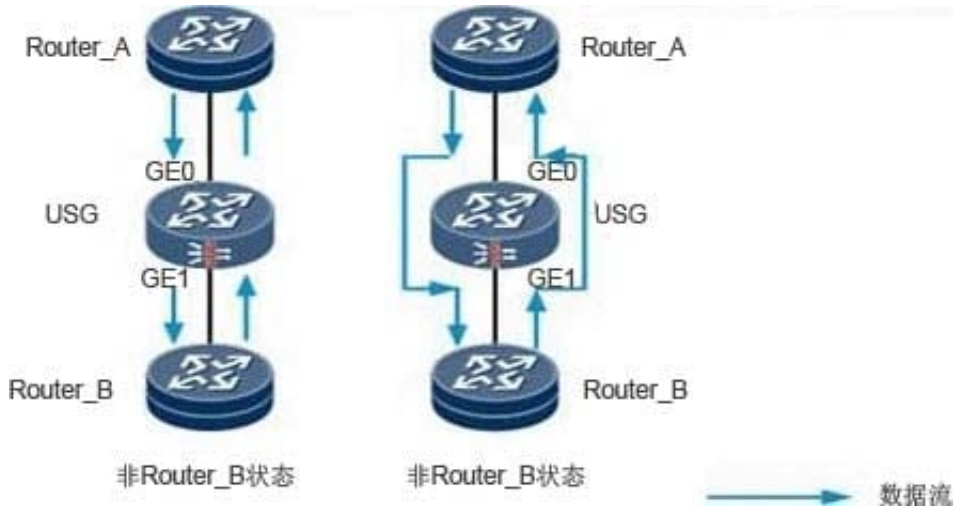
In an IPsec VPN, which statement is incorrect about aggressive mode versus main mode?

- A. In the master mode pre-shared key mode does not support NAT traversal, and brutal mode support.
- B. Main Mode negotiation message was 6, savage mode 3.
- C. In the NAT traversal scenario, the peer ID can not use IP addresses.
- D. Main Mode identity information encrypted exchange of information, while aggressive mode does not encrypt the identity information.

Correct Answer: C

QUESTION 4

Refer to the following diagram in regards to Bypass mode.



Which of the following statements is correct a few? (Choose two answers)

- A. When the interface is operating in a non-Bypass state, the flow from the inflow of USG Router_A interfaces from GE0, GE1 after USG treatment from the interface flow Router_B.
- B. When the Interface works in Bypass state, traffic flow from the interface by the Router_A GE0 USG, USG without any treatment, flows directly Router_B flows from the GE1 interfaces.
- C. When there are firewall requirements to achieve security policies, while working at the interface Bypass state to operate without interruption. Therefore, the device can be maintained in the Bypass state job.
- D. Power Bypass interface can work in bridge mode, and can work with the bypass circuit.

Correct Answer: AB

QUESTION 5

Which of the following statements about VRRP and VGMP packets are correct? (Choose 2 answers)

- A. VGMP groups use VGMP Hello packets to communicate with VRRP groups.
- B. VGMP groups use VGMP Hello packets for mutual communication.
- C. VGMP groups use VRRP packets for mutual communication.
- D. VGMP groups use VGMP packets to communicate with VRRP groups.

Correct Answer: BD

[H12-721 VCE Dumps](#)

[H12-721 Exam Questions](#)

[H12-721 Braindumps](#)