



# H31-161<sup>Q&As</sup>

HCIE-Carrier IP (Written) V2.0

**Pass Huawei H31-161 Exam with 100% Guarantee**

Free Download Real Questions & Answers **PDF** and **VCE** file from:

<https://www.geekcert.com/h31-161.html>

100% Passing Guarantee  
100% Money Back Assurance

Following Questions and Answers are all new published by Huawei  
Official Exam Center

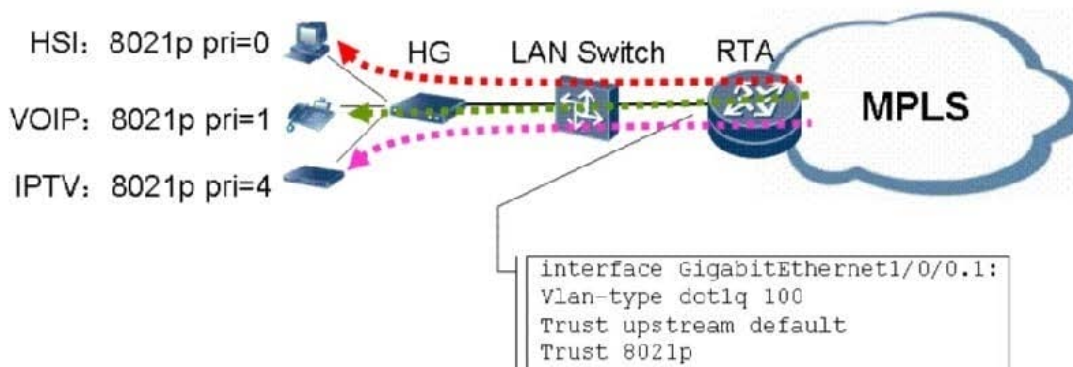
-  **Instant Download** After Purchase
-  **100% Money Back** Guarantee
-  **365 Days** Free Update
-  **800,000+** Satisfied Customers





### QUESTION 1

RTA is an edge router of the MPLS backbone network. It provides the access service for users under Layer 2 switches and differentiates users by subinterface. User A accesses VLAN 100 and has subscribed to the HSI, VoIP, and IPTV services. According to 802.1p priorities, the value 0 indicates the HSI service, 1 indicates the VoIP service, and 4 indicates the IPTV service. The DiffServ model is deployed in E-LSP mode on the MPLS network, and the STC is configured for subinterfaces on the access side of RTA (the qos phb disable command is not configured). Outgoing traffic on the G1/0/0.1 subinterface involves the HSI, VoIP, and IPTV services on the access side of RTA. Which statement about EXP values corresponding to these three services is true?



- A. Only one EXP value may be contained, and the value is uncertain.
- B. Only two EXP values may be contained, and the values are uncertain.
- C. At least three EXP values may be contained, and the values are uncertain.
- D. The EXP values must be 0, 1, and 4.

Correct Answer: C

### QUESTION 2

Which of the following statements about the Martini VPLS are true?

- A. When LDP is used to transmit signaling, LDP TLVs carry the VPLS information.
- B. Labels are allocated for PWs in DU mode when they are established.
- C. Labels are allocated for PWs in DoD mode when they are established.
- D. Labels are retained using the liberal label retention method.
- E. A VC must be established using remote LDP.

Correct Answer: BD

### QUESTION 3



Two BGP routes with the same prefix are received from two peers. The two routes have the same attributes except the next hop (NH1 and NH2). NH1 is iterated to the directly connected A and B, NH2 to directly connected C and D. If maximum load-balancing2 is configured in BGP and a router can be configured with a maximum of six paths for load balancing, how many paths does a forward information base (FIB) generate regarding this prefix?

- A. 1
- B. 2
- C. 3
- D. 4

Correct Answer: D

#### QUESTION 4

When the RSVP LSP FRR protection is enables, which of the following statements about the original RSVP LSP are true?

- A. The point of local repair (PLR) and the merge point (MP) can perceive the application of FRR but other nodes on the original RSVP LSP
- B. The RESV message is sent by the MP to an upstream node through a bypass LSP after modified.
- C. The PATH message is sent by the PLR to the MP through a bypass LSP after modified.
- D. The MP sends the ResvTear message to the upstream node of the original RSVP LSP.

Correct Answer: BD

#### QUESTION 5

The RADIUS or Huawei Terminal Access Controller Access Control System (HWTACACS) protocol can be used for authentication during network access. Which of the following statements about these two protocols are false?

- A. The HWTACACS uses TCP to transmit data while the RADIUS uses UDP to transmit data.
- B. Both the HWTACACS and RADIUS encrypt all data in the packet body.
- C. The RADIUS uses the Triple Data Encryption Standard (3Des) to encrypt passwords and some important data packets. The RADIUS provides a higher level of security than the HWTACACS.
- D. The RADIUS implements authentication and authorization separately to improve security

Correct Answer: BCD