



# H31-161<sup>Q&As</sup>

HCIE-Carrier IP (Written) V2.0

**Pass Huawei H31-161 Exam with 100% Guarantee**

Free Download Real Questions & Answers **PDF** and **VCE** file from:

<https://www.geekcert.com/h31-161.html>

100% Passing Guarantee  
100% Money Back Assurance

Following Questions and Answers are all new published by Huawei  
Official Exam Center

-  **Instant Download** After Purchase
-  **100% Money Back** Guarantee
-  **365 Days** Free Update
-  **800,000+** Satisfied Customers





### QUESTION 1

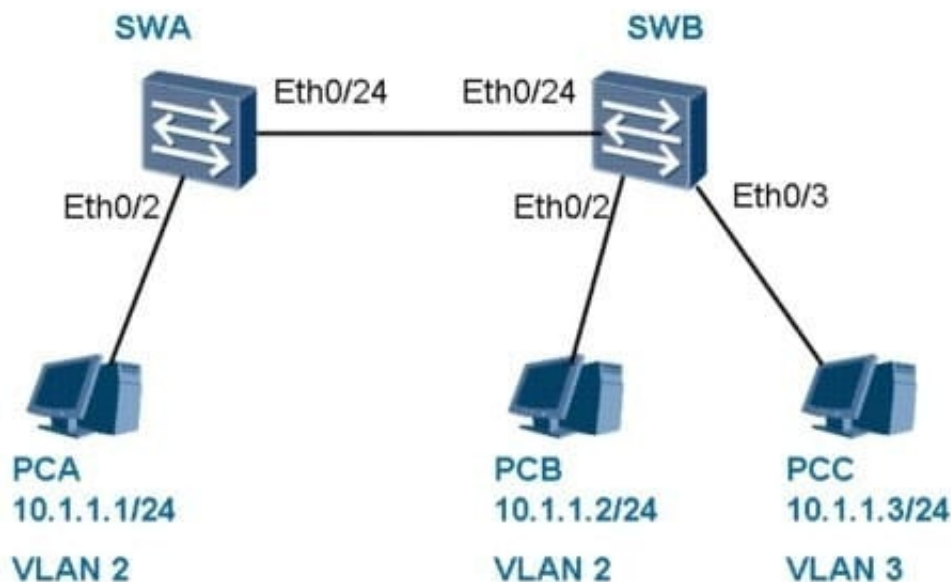
Which statements about the edge access layer is true?

- A. Using the packet technology it provides a comprehensive transport platform that boasts high reliability, quality of service (QoS) assurance, and large capacity.
- B. It implement call control. With the software technology as the core, it completes basic real-time call control and connection control.
- C. It connections users to the network by providing various access means, and converts the format of information can be transmitted on the network.
- D. It process additional value-added service and operation support for established callas.

Correct Answer: B

### QUESTION 2

As shown in the figure, for SWA, Eth0/2 belongs to VLAN 2, and Eth0/24 (PVID = 2) is a trunk interface and permits packets from VLAN 2 and VLAN 3 to pass through; for SWB, Eth0/2 belongs to VLAN 2, Eth0/3 belongs to VLAN 3, and Eth0/24 (PVID) is a trunk interface and permits packets from VLAN 2 and VLAN 3 to pass through. Which statement is true?



- A. PC A can ping both PC B and PC C.
- B. PC A can ping neither PC B nor PC C.
- C. PC A can ping PC B instead of PC C.
- D. PC A can ping PC C instead of PC B.



Correct Answer: D

### QUESTION 3

A gold user and a common user access a carrier network through the MPLS Layer 3 VPN. On the entire MPLS network (from PE to PE), the carrier performs queue scheduling for the gold user by trusting the IP priority of the user and for the common user by using the carrier's own operation policy. Which of the following is the tunnel mode of the MPLS differentiated service for the gold user and common user, respectively?

- A. pipe; short pipe
- B. short pipe; pipe
- C. uniform; pipe
- D. uniform; short pipe

Correct Answer: D

### QUESTION 4

RTA is a leaf router that directly connects to host A through interface GigabitEthernet 1/0/0. The interface is configured as follows:

```
interface GigabitEthernet1/0/0
  undo shutdown
  ip address 192.168.4.2 255.255.255.0
  pim sm
  igmp enable
  igmp version 3
  igmp ssm-mapping enable
  igmp static-group 232.1.1.1
  Configurations in the IGMP view are as follows:
  igmp
    ssm-mapping 232.1.1.0 255.255.255.0 10.10.1.1
    ssm-mapping 232.1.2.0 255.255.255.0 10.10.1.1
```

Host A sends an IGMPv2 Report message to group 232.1.2.3. Which entry can be displayed by the displayed by the `igmp ssm-mapping group` command?

- A. (10.10.1.1, 232.1.2.2)
- B. (10.10.1.1, 232.1.1.) and (10.10.1., 232.1.2.3)
- C. (10.10.1.1, 232.1.1.1)



Correct Answer: A

---

#### QUESTION 5

Which statement is false?

- A. The ASM multicast forwarding model does not allow the receiver to specify a multicast source.
- B. The PIM SSM multicast routing protocol cannot set up shared multicast forwarding trees.
- C. The SSM multicast forwarding model considers an (S,G) entry as one channel.
- D. The IGMP SSM Mapping function is to map a (\*,G) Join message reported by the host to an (S,G) Join message.

Correct Answer: D

[Latest H31-161 Dumps](#)

[H31-161 Exam Questions](#)

[H31-161 Braindumps](#)