



H31-161^{Q&As}

HCIE-Carrier IP (Written) V2.0

Pass Huawei H31-161 Exam with 100% Guarantee

Free Download Real Questions & Answers **PDF** and **VCE** file from:

<https://www.geekcert.com/h31-161.html>

100% Passing Guarantee
100% Money Back Assurance

Following Questions and Answers are all new published by Huawei
Official Exam Center

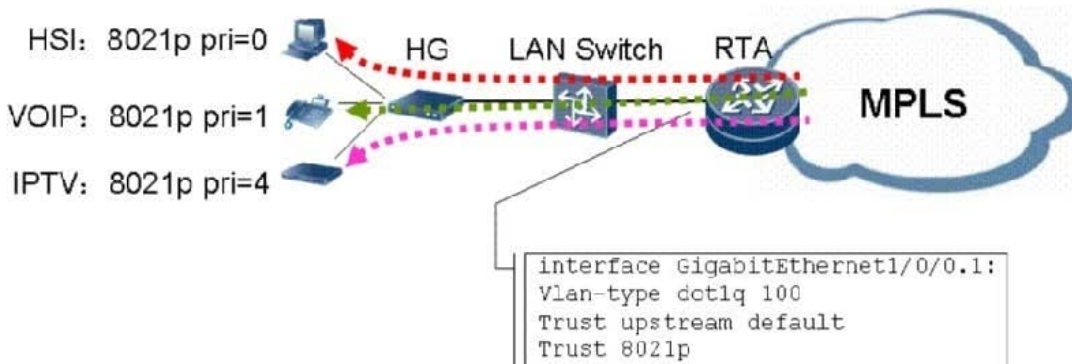
-  **Instant Download** After Purchase
-  **100% Money Back** Guarantee
-  **365 Days** Free Update
-  **800,000+** Satisfied Customers





QUESTION 1

RTA is an edge router of the MPLS backbone network. It provides the access service for users under Layer 2 switches and differentiates users by subinterface. User A accesses VLAN 100 and has subscribed to the HSI, VoIP, and IPTV services. According to 802.1p priorities, the value 0 indicates the HSI service, 1 indicates the VoIP service, and 4 indicates the IPTV service. The DiffServ model is deployed in E-LSP mode on the MPLS network, and the STC is configured for subinterfaces on the access side of RTA (the qos phb disable command is not configured). Outgoing traffic on the G1/0/0.1 subinterface involves the HSI, VoIP, and IPTV services on the access side of RTA. Which statement about EXP values corresponding to these three services is true?



- A. Only one EXP value may be contained, and the value is uncertain.
- B. Only two EXP values may be contained, and the values are uncertain.
- C. At least three EXP values may be contained, and the values are uncertain.
- D. The EXP values must be 0, 1, and 4.

Correct Answer: C

QUESTION 2

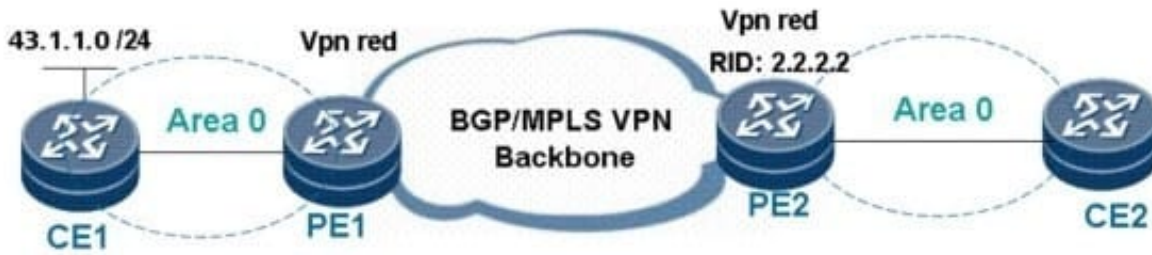
Which statement describes the packet loss ratio requirement of the voice service for the IP bearer network?

- A. Allowed maximum packet loss =10⁻⁶
- B. Allowed maximum packet loss =1%
- C. No strict requirement
- D. Allowed maximum packet loss =1%

Correct Answer: B

QUESTION 3

Refer to the exhibit.



As shown in the figure, a CE requires access to the Internet, and PE 1 is connected to the Internet gateway.

Configurations on PE 1 are as follows: PE 1: # nat address-group 0 175.31.1.3 175.31.1.10 # ip vpn-instance vrf1 route-distinguisher 192.168.1.1:100

```
vpn-target 100:1 export-extcommunity
```

```
vpn-target 100:1 import-extcommunity # acl number 2000 rule 5 permit vpn-instance vrf1 # # interface Serial0/0/1:0 link-protocol ppp ip binding vpn-instance vrf1 ip address 150.1.1.1 255.255.0.0 nat outbound acl 2000 address-group 0 # interface Pos2/1/0 clock master
```

```
link-protocol ppp ip address 175.31.1.1 255.255.0.0 # bgp 100 group ibgp internal peer ibgp connect-interface LoopBack0 peer 192.168.1.2 as-number 100 peer 192.168.1.2 group ibgp # ipv4-family unicast undo synchronization peer ibgp enable peer 192.168.1.2 enable peer 192.168.1.2 group ibgp
```

```
# ipv4-family vpnv4 policy vpn-target peer ibgp enable peer 192.168.1.2 enable peer 192.168.1.2 group ibgp # ipv4-family vpn-instance vrf1 default-route imported import-route direct import-route static group nei_vrf1 external peer nei_vrf1 as-number 65004 peer 150.1.1.2 as-number 65004 peer 150.1.1.2 group nei_vrf1 # ip route-static vpn-instance vrf1 0.0.0.0 0.0.0.0 175.31.1.2 PE 1 is connected to the Internet gateway
```

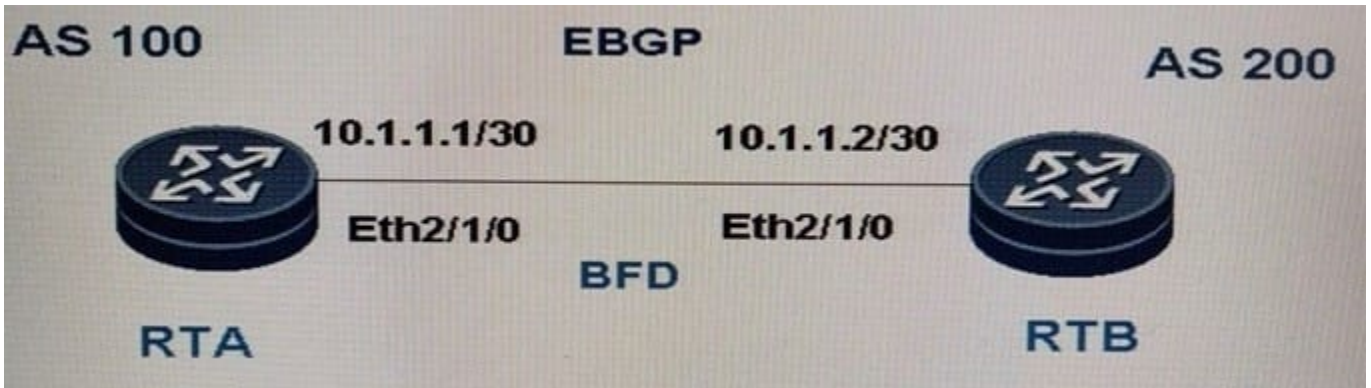
through interface 175.31.1.2. CE 1 and CE 2 cannot ping this interface. Which of the following statements are true?

- A. A default route must be configured on CE 1 and CE 2.
- B. A private network route must be configured on the Internet gateway.
- C. The public parameter of a static default route must be configured.
- D. NAT translation must be configured on interface pos2/1/0 instead of interface s0/0/1:0.

Correct Answer: CD

QUESTION 4

Exhibit.



As shown in the figure, RTA and have one BGP session. To detect fault fast, the BFD for BGP feature needs to be configured on RTA and RTB. BGP-related configurations are as follows:

```
BGP-related configurations on RTA:
#
bfd
#
bgp 100
router-id 1.1.1.1
peer 10.1.1.2 as-number 200
peer 10.1.1.2 bfd min-tx-interval 150 min-rx-interval 150 detect-multiplier 4
peer 10.1.1.2 bfd enable
#
ipv4-family unicast
undo synchronization
peer 10.1.1.2 enable
#
BGP-related configurations on RTB:
#
bfd
#
bgp 200
router-id 2.2.2.2
peer 10.1.1.1 as-number 100
peer 10.1.1.1 bfd enable
peer 10.1.1.1 bfd min-tx-interval 180 min-rx-interval 180 detect-multiplier 5
#
ipv4-family unicast
undo synchronization
peer 10.1.1.1 enable
#
```

The only Ethernet link between RTA and RTB becomes faulty when the BGP neighbor session is in ESTABLISHED state and the BFD session is in the UP state. Which statements is true? (Note: BFD works in asynchronous mode)

- A. RTA detect the fault faster than RTB.
- B. The BGP session between RTA and RTB is interrupted when the BGP hold time (time duration is 180s by default) express.
- C. RTB detect the fault faster than RTA.
- D. RTA and RTB detect the fault simultaneously.

Correct Answer: C

QUESTION 5



Which of the following statements about IGP Shortcut and FA are true?

- A. An MPLS TE tunnel is viewed as a link and the MPLS TE tunnel interface is used as the outbound interface of a route.
- B. When IGP Shortcut is enabled, MPLS TE tunnels can be advertised to routers as if they are links.
- C. If FA is enabled on an MPLS TE tunnel, the MPLS TE tunnel can be shared by other routers.
- D. OSPF BFD does not need to be applied to IGP Shortcut-enabled tunnels.

Correct Answer: ACD

[H31-161 VCE Dumps](#)

[H31-161 Practice Test](#)

[H31-161 Braindumps](#)