



HP0-Y47^{Q&As}

Deploying HP FlexNetwork Core Technologies

Pass HP HP0-Y47 Exam with 100% Guarantee

Free Download Real Questions & Answers **PDF** and **VCE** file from:

<https://www.geekcert.com/hp0-y47.html>

100% Passing Guarantee
100% Money Back Assurance

Following Questions and Answers are all new published by HP Official Exam Center

-  **Instant Download** After Purchase
-  **100% Money Back** Guarantee
-  **365 Days** Free Update
-  **800,000+** Satisfied Customers





QUESTION 1

A company uses 802.1X authentication to force users to authenticate to connect to the network. The company uses HP IMC User Access manager (UAM) as the RADIUS server. The company wants to assign users to VLANs based on their identity. For example, contractor should be assigned in VLAN 20. Assume that VLANs are extended correctly across the network infrastructure.

Where does a network administrator configure the VLAN policy?

- A. In the access device configuration UAM
- B. In local-user accounts for contractors, which are configured on access layer switches
- C. In an authorized VLAN list, which is applied to access layer switches edge ports
- D. In an access rule on UAM, which will be selected in the contractor service policy

Correct Answer: D

QUESTION 2

A network administrator is completing an In-Service Software Upgrade (ISSU) for an Intelligent Resilient Framework (IRF) virtual devices. The device has two members. Each member has one management module. Member1 is currently the master. The administrator has initiated a rollback time for this upgrade.

When should the administrator accept the upgrade?

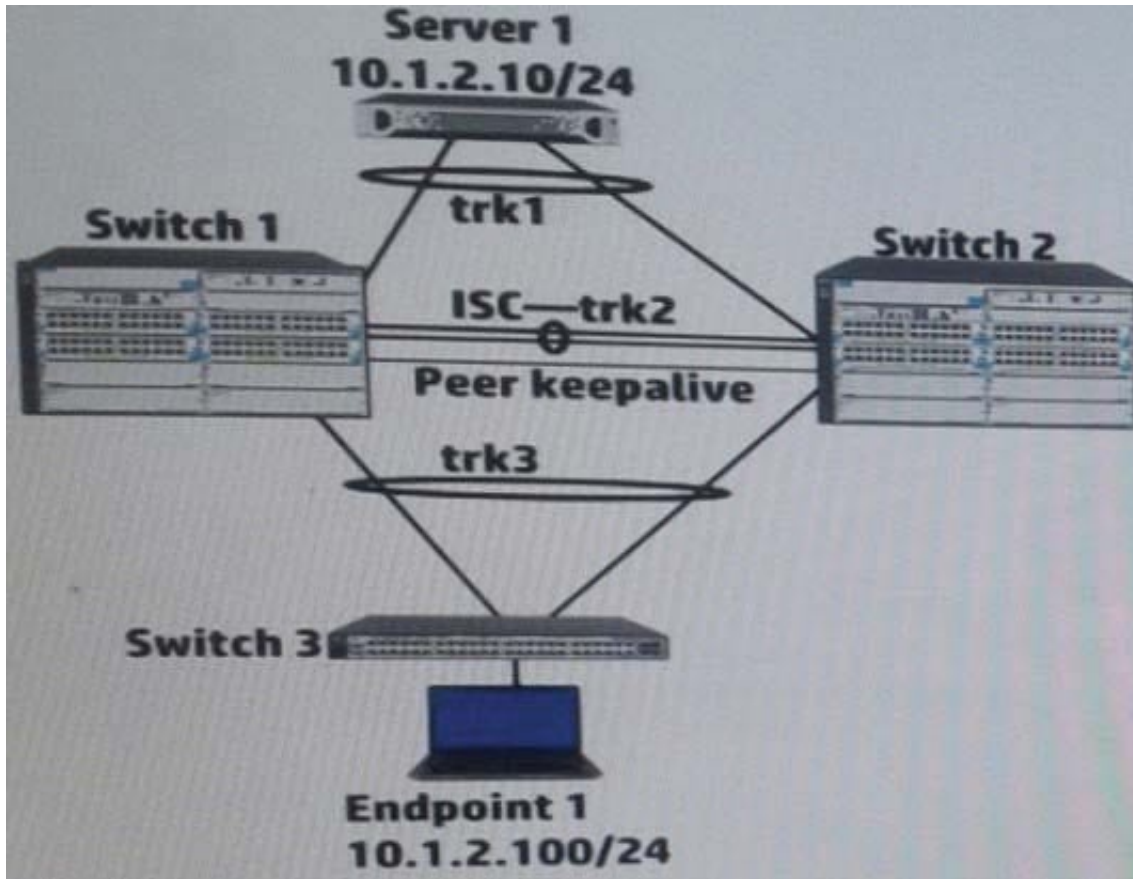
- A. After upgrading both members of the IRF virtual device
- B. After checking the new software's ISSU compatibility but before upgrading either member
- C. After upgrading member 1 but before switching over to and upgrading member 2
- D. After upgrading and switching over to member 2 but before upgrading member 1

Correct Answer: A

Look here items 6-7 http://www.h3c.com/portal/Technical_Support___Documents/Technical_Documents/Switches/H3C_S12500_Series_Switches/Configuration/Operation_Manual/H3C_S12500_CG-Release7128-6W710/01/201301/772597_1285_0.htm

QUESTION 3

Refer to the exhibit.



Switch 1 and Switch 2 have established an Interswitch Connection (ISC) and two distributed trunks. All of the switches have Multiple Spanning tree Protocol (MSTP) enabled. Where does Switch 1 transmit or process Bridge Protocol Data Units (BPDUs)?

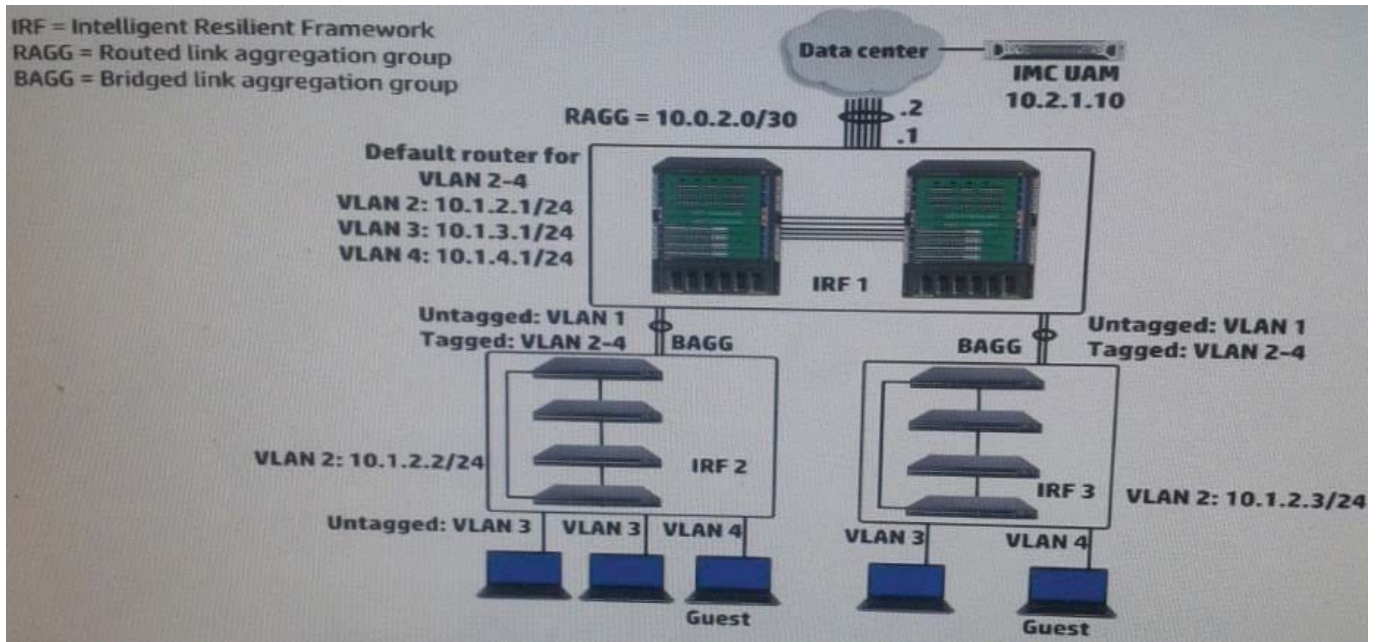
- A. On trk2 and the peer keepalive
- B. On trk1 and trk3
- C. On trk1, trk2, trk3
- D. On trk2

Correct Answer: C

http://h20628.www2.hp.com/km-ext/kmcsdirect/emr_na-c03015912-2.pdf

QUESTION 4

Refer to the exhibit.



A company has a functional multicast routing solution, which routes multicasts from the data center users in VLAN3 and VLAN4. Users in VLAN 3 and VLAN 4 sometimes register for some of the same multicast. The network administrator wants to prevent duplicate multicasts on the link between the core IRF virtual switch and the access layer IRF virtual switches.

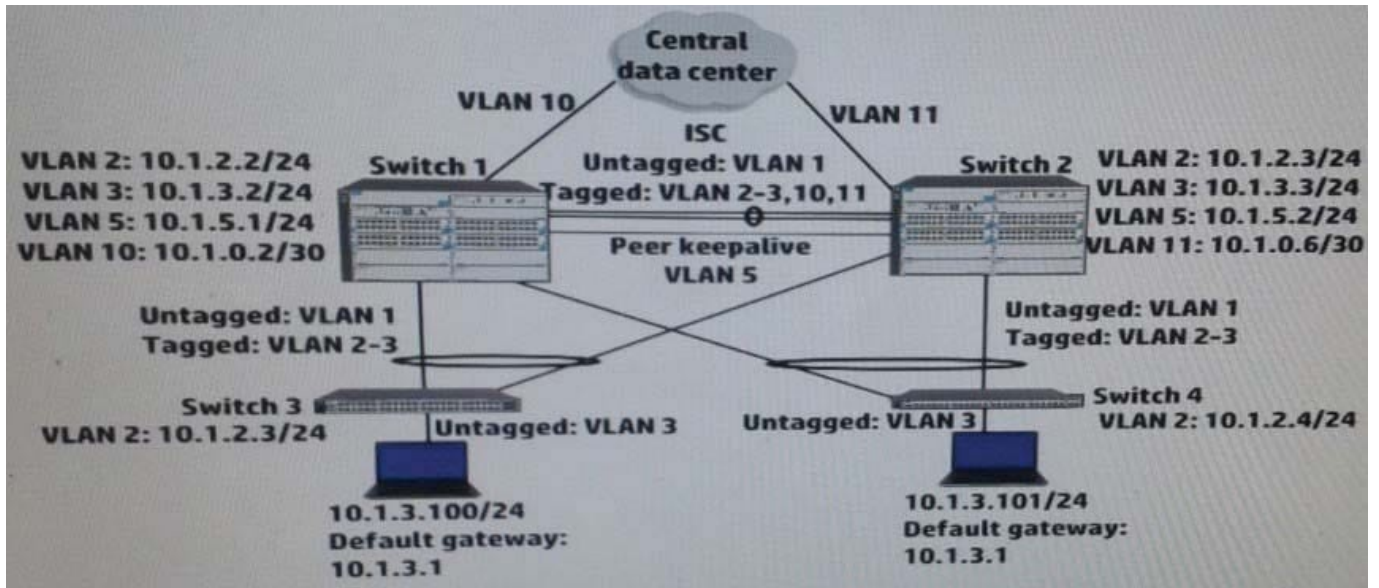
What should the administrator do to accomplish this goal?

- A. Enable IGMP snooping on VLAN 3 and VLAN4 (Layer 2) on the core switch and on the access layer switches.
- B. Create Layer 3 interfaces for VLAN 3 and VLAN 4 on the access layer switches, and enable IGMP on the interfaces.
- C. Enable Multicast VLAN and IGMP snooping on VLAN 3 on the access layer switches, and associate VLAN 4 as a sub-VLAN.
- D. Create Layer 3 interfaces for VLAN 3 and VLAN 4 on the access layer switches, and enable PIM on the interfaces.

Correct Answer: A

QUESTION 5

Refer to the exhibit.



Switch 1 and switch 2 run open Shortest Path First (OSPF) on all VLANs. Both switches establish an OSPF adjacency to a router at the main data center. Exhibit shows some virtual Routing Redundancy Protocol (VRRP) and OSPF settings on Switch 1 during normal operation.

How can a network administrator increase the resiliency of this solution?

- A. Implement Bidirectional Forwarding Detection (BFD) on the peer keep alive link between the core switches.
- B. Change the VLAN 10 subnet to a /24 subnet and enable VRRP on it. Place Switch 2's link to the main data center in this subnet.
- C. Make sure that, in each VRRP instance, each switch has a VRRP preempt delay of several minutes.
- D. Configure Switch 1 as an OSPF graceful restart helper in VLAN 11 and Switch 2 as a helper in VLAN 10

Correct Answer: D

[Latest HP0-Y47 Dumps](#)

[HP0-Y47 Study Guide](#)

[HP0-Y47 Exam Questions](#)