



HPE2-Z39^{Q&As}

Fast Track - Applying Aruba Switching Fundamentals for Mobility

Pass HP HPE2-Z39 Exam with 100% Guarantee

Free Download Real Questions & Answers **PDF** and **VCE** file from:

<https://www.geekcert.com/hpe2-z39.html>

100% Passing Guarantee
100% Money Back Assurance

Following Questions and Answers are all new published by HP Official Exam Center

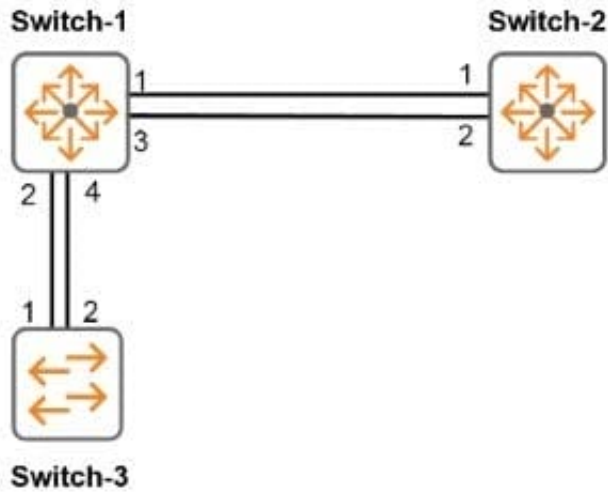
-  **Instant Download** After Purchase
-  **100% Money Back** Guarantee
-  **365 Days** Free Update
-  **800,000+** Satisfied Customers





QUESTION 1

Refer to the exhibit.



A network administrator enters these commands and misconfigures the link aggregations:

```
Switch-1(config)# trunk 1-2 trk1 lacp
Switch-1(config)# trunk 3-4 trk2 lacp
Switch-2(config)# trunk 1-2 trk1 lacp
Switch-3(config)# trunk 1-2 trk1 lacp
```

Which behavior does Switch-1 exhibit on its link aggregations?

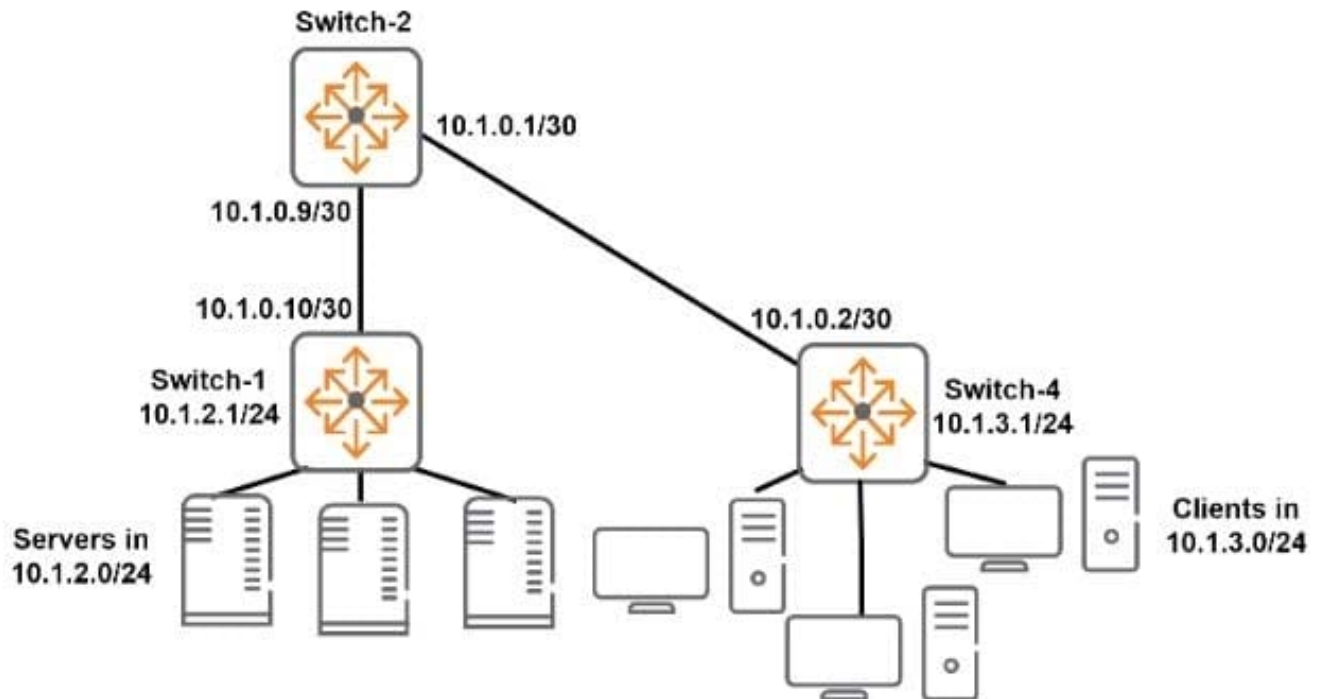
- A. It uses LACP to dynamically detect that ports 1 and 3 belong in trk 1. and ports 2 and 4 belong in trk2.
- B. It blocks one or both ports in each link aggregation due to errors detected by LACP.
- C. It sends an SNMP probe to Switch-2 and Swrtch-3 to determine whether it needs to shut down any of these ports.
- D. It load shares traffic on both ports in each LACP link aggregation, which leads to loops and network disruption.

Correct Answer: B

QUESTION 2



Refer to the exhibit.



A network administrator creates a route to 10.1.2.0/24 on Switch-4. What is the correct next hop for the route?

- A. 10.1.0.2
- B. 10.1.0.9
- C. 10.1.0.1
- D. 10.1.21

Correct Answer: C

QUESTION 3

What is one characteristic of a spanning tree edge port on an ArubaOS switch?

- A. The port link state does not affect the RSTP topology.
- B. The port connects to a switch that runs MSTP but in a different region.
- C. The port only forwards traffic in VLANs assigned to the instance 0 (IST).
- D. The port ignores incoming BPDUs

Correct Answer: B



QUESTION 4

A company has a cluster of Aruba Instant APs (IAPs). The company wants to add a new IAP to the cluster. What should network administrators ensure before they connect the new IAP?

- A. that the new IAP has been provisioned with an IP address and the IP address of the cluster virtual controller (VC)
- B. that the switch port for the AP is untagged for the same VLAN as the current cluster
- C. that Aruba Activate is configured with provisioning rules for the IAP
- D. that the DHCP server has the correct options 60 and 43

Correct Answer: A

QUESTION 5

Which settings are required on ArubaOS switches for Aruba AirWave to discover, monitor, and manage them?

- A. credentials for Telnet or SSH login and an HTTPS certificate
- B. SNMP v2 community or v3 user and an HTTPS certificate
- C. credentials for Telnet or SSH login and an SNMP v2 community or v3 user
- D. shared cluster key and an SNMP v2 community or v3 user

Correct Answer: A

[HPE2-Z39 PDF Dumps](#)

[HPE2-Z39 VCE Dumps](#)

[HPE2-Z39 Exam Questions](#)