



# HPE6-A41<sup>Q&As</sup>

Applying Aruba Switching Fundamentals for Mobility

## Pass HP HPE6-A41 Exam with 100% Guarantee

Free Download Real Questions & Answers **PDF** and **VCE** file from:

<https://www.geekcert.com/hpe6-a41.html>

100% Passing Guarantee  
100% Money Back Assurance

Following Questions and Answers are all new published by HP Official Exam Center

-  **Instant Download** After Purchase
-  **100% Money Back** Guarantee
-  **365 Days** Free Update
-  **800,000+** Satisfied Customers





### QUESTION 1

Refer to the exhibit.

```
Switch# show flash
Image                Size (bytes)  Date      Version
-----
Primary Image :     15540244    03/23/16  KA.16.01.0006
Secondary Image :  15890772    08/24/15  KA.15.15.0014
Boot ROM Version :  KA.15.09
Default Boot : Secondary

Switch# show config files
Configuration files:
id | act pri sec | name
---+-----+
1 |   *         | config1
2 |           * | config2
3 | *          | config3
```

The network administrator enters this command: Switch# reload

Which software and configuration file will load?

- A. software version KA.16.01 and config3
- B. software version KA.15.15 and config2
- C. software version KA.15.15 and config3
- D. software version KA.16.01 and config1

Correct Answer: B

### QUESTION 2

How does a wireless network differ from a wired network?

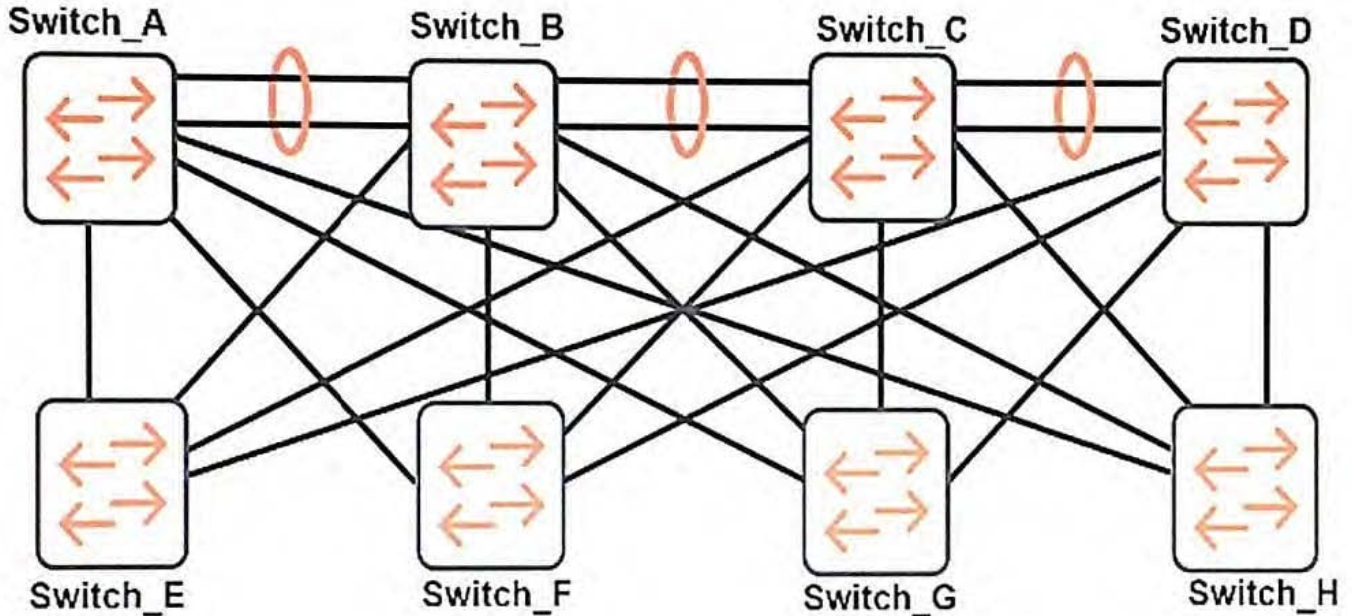
- A. A wireless network is a shared medium, while a modern wired network typically works in full-duplex mode.
- B. A wireless network is inherently more secure than a wired network.
- C. A wireless network does not use source and destination MAC addresses, but a wired network does.
- D. A wireless network does not support encryption, unlike a wired network, which can support encryption.



Correct Answer: A

### QUESTION 3

Refer to the exhibit.



MSTP is implemented in the topology shown in the exhibit, and all the switches are in the same region. The network administrator does not want to use the Internal Spanning Tree (IST) or instance 0 for production traffic.

How many non-IST spanning tree instances does this network need in order to have effective load sharing on the uplinks from the access switches?

- A. two
- B. three
- C. four
- D. five

Correct Answer: C

### QUESTION 4

A company has two ArubaOS switches, Switch1 and Switch2. Switch1 will be the commander for a new Virtual Switching Framework (VSF) fabric. Switch2 is a new switch that will be the standby member. The network administrator wants to configure the proper settings on the standby member interface before the standby member joins the fabric.

What should the administrator do before the switches are joined in the VSF fabric?

- A. Configure the interface settings on Switch2. Then enable VSF on Switch2.



- B. Enable VSF on Switch2. Then configure the interface settings on Switch2.
- C. Provision member2 on Switch1. Then configure the member2 interface settings on Switch1.
- D. Provision member2 on Switch1 and member1 on Switch2. Then configure the member2 interface settings on Switch2.

Correct Answer: D

**QUESTION 5**

Refer to the exhibit. Exhibit 1.

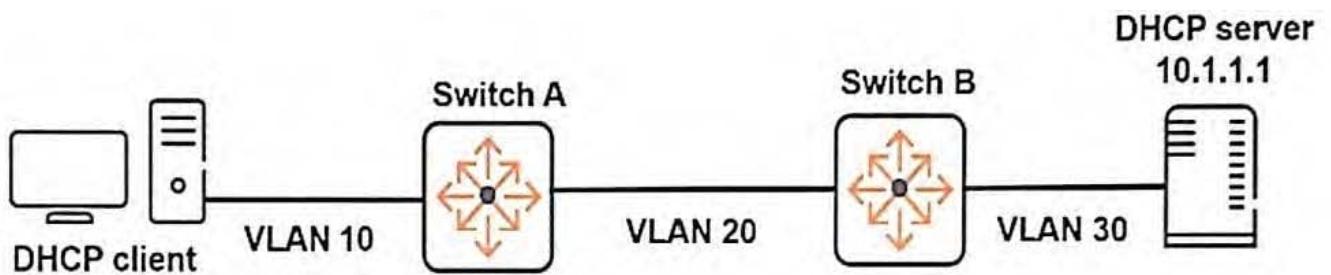


Exhibit 2.



```
SwitchA# show ip
```

```
Internet (IP) Service
```

```
IP Routing : Enabled
```

```
Default TTL      : 64  
Arp Age         : 20  
Domain Suffix   :  
DNS server      :
```

VLAN	IP Config	IP Address	Subnet Mask	Proxy ARP Std	Proxy ARP Local
DEFAULT_VLAN	Disabled				
VLAN10	Manual	10.1.10.254	255.255.255.0	No	No
VLAN20	Manual	10.1.20.1	255.255.255.0	No	No

```
SwitchB# show ip
```

```
Internet (IP) Service
```

```
IP Routing : Enabled
```

```
Default TTL      : 64  
Arp Age         : 20  
Domain Suffix   :  
DNS server      :
```

VLAN	IP Config	IP Address	Subnet Mask	Proxy ARP Std	Proxy ARP Local
DEFAULT_VLAN	Disabled				
VLAN20	Manual	10.1.20.2	255.255.255.0	No	No
VLAN30	Manual	10.1.1.254	255.255.255.0	No	No

A network administrator needs to set up DHCP relay in a switched network comprised of ArubaOS switches. Switch A and Switch B have the IP settings in Exhibit 2, and no static or dynamic routes. Switch B is the DHCP server's default gateway. The administrator correctly configures the IP helper address on Switch A. However, when the DHCP client attempts to acquire an IP address in VLAN 10, the process fails.

What does the administrator need to do to solve this problem?

- A. Configure a static route on Switch A, and enable IP Helper on Switch B.
- B. Configure a static route on Switch A.
- C. Configure a static route on Switch A and Switch B, and enable IP Helper on Switch B.
- D. Configure a static route on Switch A and Switch B.

Correct Answer: D