



HPE6-A41^{Q&As}

Applying Aruba Switching Fundamentals for Mobility

Pass HP HPE6-A41 Exam with 100% Guarantee

Free Download Real Questions & Answers **PDF** and **VCE** file from:

<https://www.geekcert.com/hpe6-a41.html>

100% Passing Guarantee
100% Money Back Assurance

Following Questions and Answers are all new published by HP Official Exam Center

-  **Instant Download** After Purchase
-  **100% Money Back** Guarantee
-  **365 Days** Free Update
-  **800,000+** Satisfied Customers





QUESTION 1

A company has two ArubaOS switches, Switch1 and Switch2. Switch1 will be the commander for a new Virtual Switching Framework (VSF) fabric. Switch2 is a new switch that will be the standby member. The network administrator wants to configure the proper settings on the standby member interface before the standby member joins the fabric.

What should the administrator do before the switches are joined in the VSF fabric?

- A. Configure the interface settings on Switch2. Then enable VSF on Switch2.
- B. Enable VSF on Switch2. Then configure the interface settings on Switch2.
- C. Provision member2 on Switch1. Then configure the member2 interface settings on Switch1.
- D. Provision member2 on Switch1 and member1 on Switch2. Then configure the member2 interface settings on Switch2.

Correct Answer: D

QUESTION 2

A network administrator wants to deploy Aruba Instant APs (IAPs) at a remote site that does not have Internet access. The APs should receive their configuration automatically from AirWave by using Zero Touch Provisioning (ZTP). What does the administrator need to configure?

- A. the name and password of a user with full administrative rights to AirWave
- B. the name of the AirWave VLAN with the configuration that the APs should use
- C. the DHCP server configured with options 43 and 60 for ZTP
- D. the IP address for the DNS server with the mapping for the airwave hostname

Correct Answer: C

QUESTION 3

Which technology enables a network administrator to group users by logical function instead of physical location, reduce bandwidth waste by limiting broadcast traffic, and improve security by isolating users at Layer2?

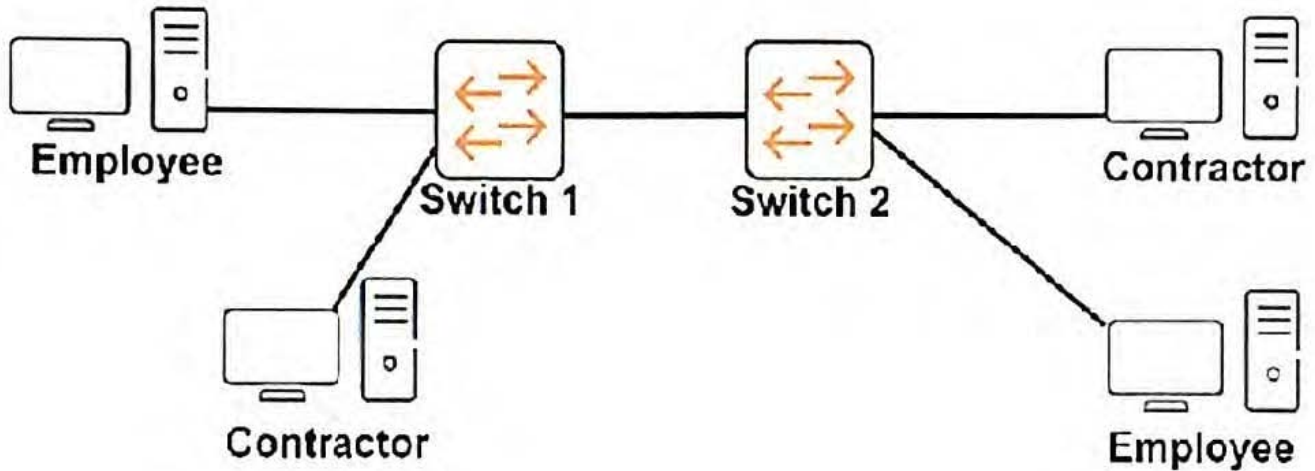
- A. 802.1X
- B. SNMPv3
- C. VLANs
- D. Virtual Switching Framework (VSF)

Correct Answer: D



QUESTION 4

Refer to the exhibit.



The network administrator wants to place contractor clients and employee clients in different broadcast domains.

How should the administrator achieve this goal?

- A. Add a router in between Switch 1 and Switch 2. Configure a different subnet on each router interface.
- B. Create two MSTP instances on each switch. Assign ports connected to contractor clients to one instance and ports connected to employee clients to the other instance.
- C. Assign the switch ports connected to contractor clients to one VLAN and ports connected to employee clients to another VLAN. Extend the VLANs between the switches.
- D. Create two device profiles. Apply one profile to ports connected to contractor clients, and apply the other profile to ports connected to employee clients.

Correct Answer: C

QUESTION 5

A network administrator wants to see the VLANs supported on one ArubaOS switch interface and if those VLANs have tagged or untagged assignments. What should the administrator do to find this information?

- A. View the MAC forwarding table for the interface and VLAN with the show mac-address command.
- B. Use the detail option with the show vlans port command.
- C. Use the local-device option with the show lldp info command.
- D. View the interface with the show interface command.

Correct Answer: B



VCE & PDF

GeekCert.com

<https://www.geekcert.com/hpe6-a41.html>

2024 Latest geekcert HPE6-A41 PDF and VCE dumps Download

[HPE6-A41 PDF Dumps](#)

[HPE6-A41 Practice Test](#)

[HPE6-A41 Exam Questions](#)