



JN0-1101^{Q&As}

Juniper Networks Certified Design Associate

Pass Juniper JN0-1101 Exam with 100% Guarantee

Free Download Real Questions & Answers **PDF** and **VCE** file from:

<https://www.geekcert.com/jn0-1101.html>

100% Passing Guarantee
100% Money Back Assurance

Following Questions and Answers are all new published by Juniper
Official Exam Center

-  **Instant Download** After Purchase
-  **100% Money Back** Guarantee
-  **365 Days** Free Update
-  **800,000+** Satisfied Customers





QUESTION 1

Which two features would cause latency in a WAN connection? (Choose two.)

- A. IPS
- B. syslog
- C. telemetry
- D. UTM antivirus

Correct Answer: AD

QUESTION 2

Which two statements are true about a service-centric data center model? (Choose two.)

- A. A service-centric data center model pools compute resources.
- B. A service-centric data center model pools storage resources.
- C. A service-centric data center model does not pool storage resources.
- D. A service-centric data center model does not pool compute resources.

Correct Answer: AB

QUESTION 3

What are two phases of assessment when designing network security? (Choose two.)

- A. to layout a logical design
- B. to layout a physical design
- C. to identify requirements
- D. to perform data analysis

Correct Answer: AC

QUESTION 4

What are two phases in Juniper's lifecycle approach when designing a network? (Choose two.)

- A. plan
- B. build

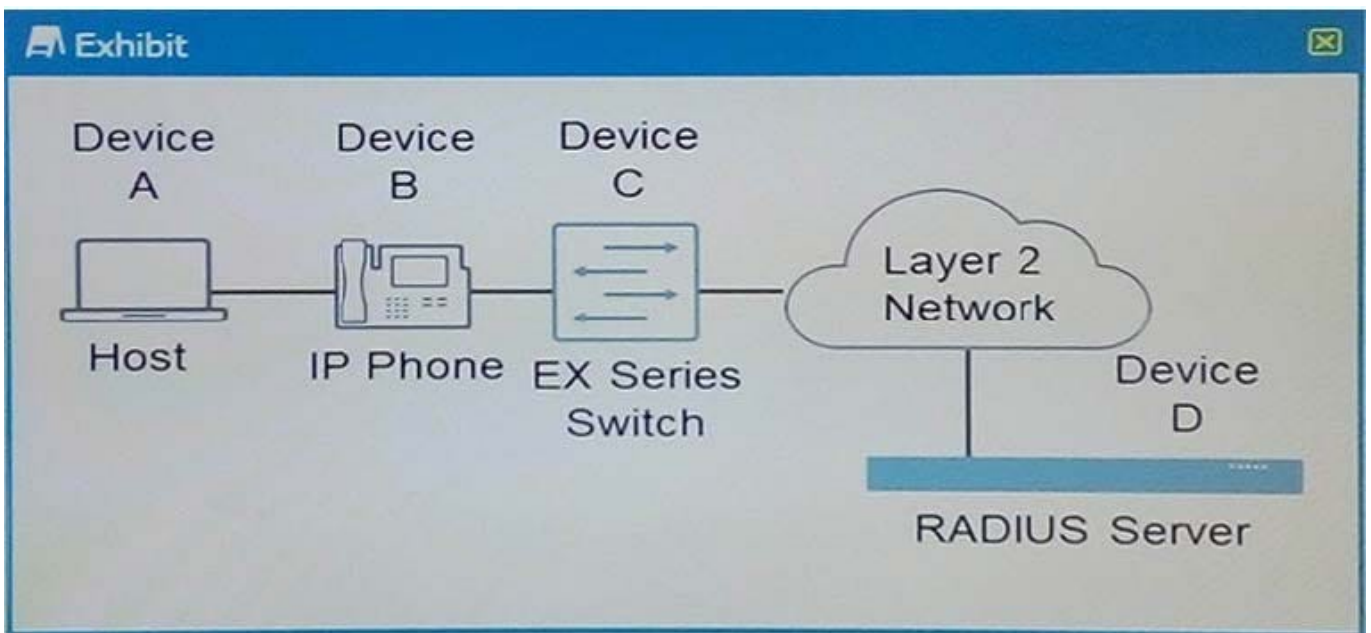


- C. buy
- D. oversee

Correct Answer: AB

QUESTION 5

Click the Exhibit button.



Which device plays the role of authenticator in an 802.1X design as shown in the exhibit?

- A. Device A
- B. Device B
- C. Device C
- D. Device D

Correct Answer: C

[Latest JN0-1101 Dumps](#)

[JN0-1101 Practice Test](#)

[JN0-1101 Brindumps](#)