



JN0-1301^{Q&As}

Data Center Design, Specialist (JNCDS-DC)

Pass Juniper JN0-1301 Exam with 100% Guarantee

Free Download Real Questions & Answers **PDF** and **VCE** file from:

<https://www.geekcert.com/jn0-1301.html>

100% Passing Guarantee
100% Money Back Assurance

Following Questions and Answers are all new published by Juniper
Official Exam Center

-  **Instant Download** After Purchase
-  **100% Money Back** Guarantee
-  **365 Days** Free Update
-  **800,000+** Satisfied Customers





QUESTION 1

You are designing an IP fabric using EVPN with VXLAN and must ensure that all links between the leaf and spine nodes are used as efficiently as possible. Which two design considerations are important to achieve this task? (Choose two.)

- A. Load balancing is automatic in an IP fabric design.
- B. Load balancing must be managed by an SDN controller in an IP fabric design.
- C. The overlay network needs to support load balancing.
- D. The underlay network needs to support load balancing.

Correct Answer: AD

QUESTION 2

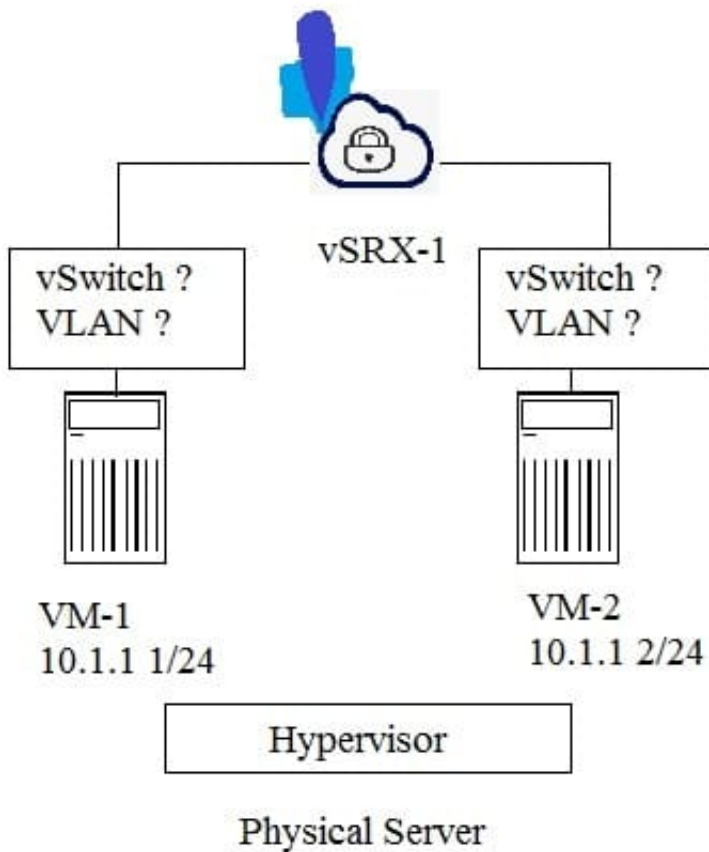
Your company is deploying a private cloud based on OpenStack and has selected Contrail Networking as its SDN controller. Which two statements are true in this scenario? (Choose two.)

- A. Underlay tunnels are established between virtualized and bare-metal servers.
- B. MPLS over UDP tunnels are supported.
- C. Overlay tunnels are established between virtualized and bare-metal servers.
- D. MPLS over GRE tunnels are supported.

Correct Answer: CD

QUESTION 3

Click the Exhibit button. Referring to the exhibit, you want the vSRX device to inspect inter-VM traffic. Which two actions must you take to accomplish this task? (Choose two.)



- A. You must put the connections between the VMs and the vSRX device in separate VLANs.
- B. You must put the connections between the VMs and the vSRX device in separate vSwitches.
- C. You must put the connection between the VMs and the vSRX device in the same VLAN.
- D. You must put the connection between the VMs and the vSRX device in the same vSwitch.

Correct Answer: AB

QUESTION 4

You have included in your data center design an SRX1500 chassis cluster. The RFP requires a documented upgrade process for the cluster that minimizes downtime. What satisfies this requirement in this scenario?

- A. an in-service software upgrade
- B. a topology-independent in-service software upgrade
- C. a manual device upgrade
- D. a nonstop software upgrade

Correct Answer: A



QUESTION 5

What are two components of a class-of-service (CoS) switching configuration? (Choose two.)

- A. forwarding tables
- B. bandwidth
- C. port speed
- D. forwarding class

Correct Answer: BD

[JN0-1301 VCE Dumps](#)

[JN0-1301 Practice Test](#)

[JN0-1301 Braindumps](#)