



# JN0-1302<sup>Q&As</sup>

Data Center Design Specialist (JNCDS-DC)

**Pass Juniper JN0-1302 Exam with 100% Guarantee**

Free Download Real Questions & Answers **PDF** and **VCE** file from:

<https://www.geekcert.com/jn0-1302.html>

100% Passing Guarantee  
100% Money Back Assurance

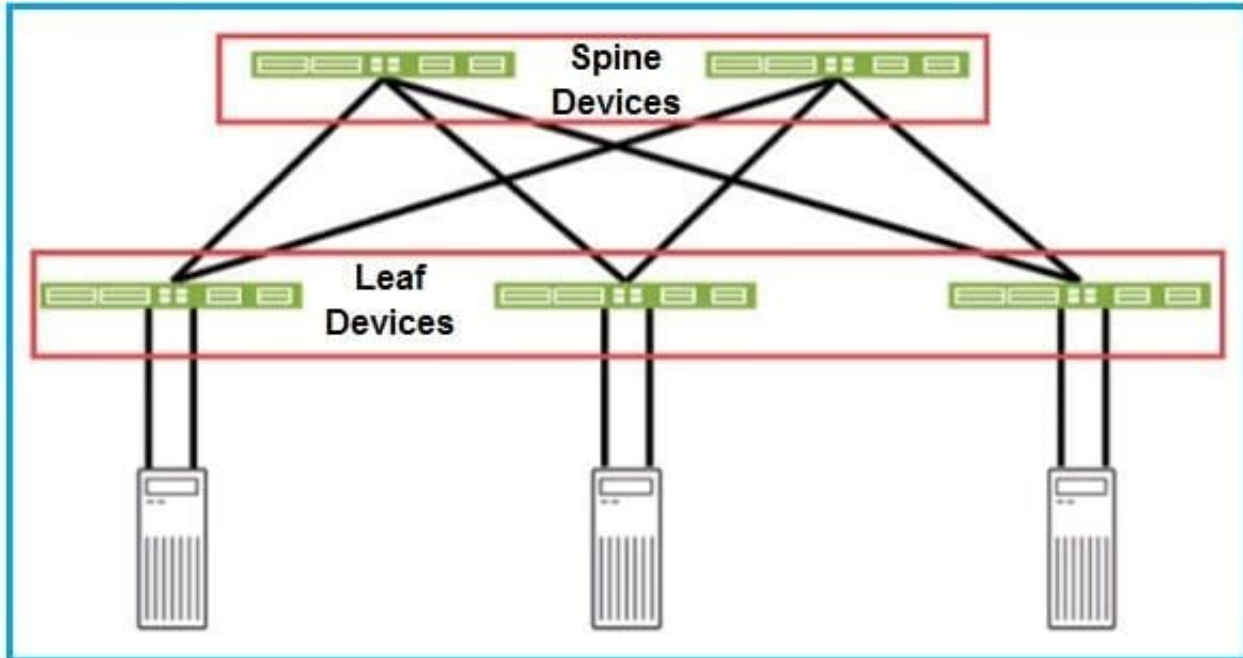
Following Questions and Answers are all new published by Juniper  
Official Exam Center

-  **Instant Download** After Purchase
-  **100% Money Back** Guarantee
-  **365 Days** Free Update
-  **800,000+** Satisfied Customers



**QUESTION 1**

Click the Exhibit button.



Referring to the exhibit, which two statements are true? (Choose two.)

- A. You should use CoS rewrite rules for traffic coming into the leaf devices.
- B. You should use CoS rewrite rules for traffic leaving the leaf devices.
- C. You should use CoS rewrite rules for traffic leaving the spine devices.
- D. You should use CoS rewrite rules for traffic coming into the spine devices.

Correct Answer: BC

**QUESTION 2**

You are designing an EVPN/VXLAN network and want to ensure that latency between VMs on the same host is as low as possible for both Layer2 and Layer3 traffic.

Which two design choices will accomplish this task? (Choose two.)

- A. Configure spine nodes as VXLAN Layer 3 gateways.
- B. Configure leaf nodes as VXLAN Layer 2 gateways.
- C. Configure leaf nodes as VXLAN Layer 3 gateways.
- D. Configure spine nodes as VXLAN Layer 2 gateways.



---

Correct Answer: AB

---

### QUESTION 3

You are designing a new Data Center Interconnect (DCI) that will be MPLS-based where the PE routers need to learn local and remote MAC addresses.

In this scenario, which two DCI deployment methodologies satisfy this requirement? (Choose two.)

- A. VPLS
- B. LDP Layer 2 circuits
- C. EVPN
- D. BGP Layer 2 VPNs

Correct Answer: BC

---

### QUESTION 4

You want to deploy chassis clustering to provide high availability on the SRX Series devices that are securing your data center.

In this scenario, which statement is correct?

- A. GRES can provide high availability.
- B. NSR can provide high availability.
- C. MC-LAG can provide high availability.
- D. The reth interfaces can provide high availability.

Correct Answer: D

---

### QUESTION 5

You are designing a new data center that will be built using an IP fabric. One of your security requirements is that the gateway for all of your VLANs must reside on the data center SRX firewalls.

Which IP fabric architecture will satisfy this requirement?

- A. centrally routed overlay
- B. server routed overlay
- C. edge routed overlay
- D. bridged overlay



Correct Answer: C

[Latest JN0-1302 Dumps](#)

[JN0-1302 Practice Test](#)

[JN0-1302 Braindumps](#)