



JN0-1302^{Q&As}

Data Center Design Specialist (JNCDS-DC)

Pass Juniper JN0-1302 Exam with 100% Guarantee

Free Download Real Questions & Answers **PDF** and **VCE** file from:

<https://www.geekcert.com/jn0-1302.html>

100% Passing Guarantee
100% Money Back Assurance

Following Questions and Answers are all new published by Juniper
Official Exam Center

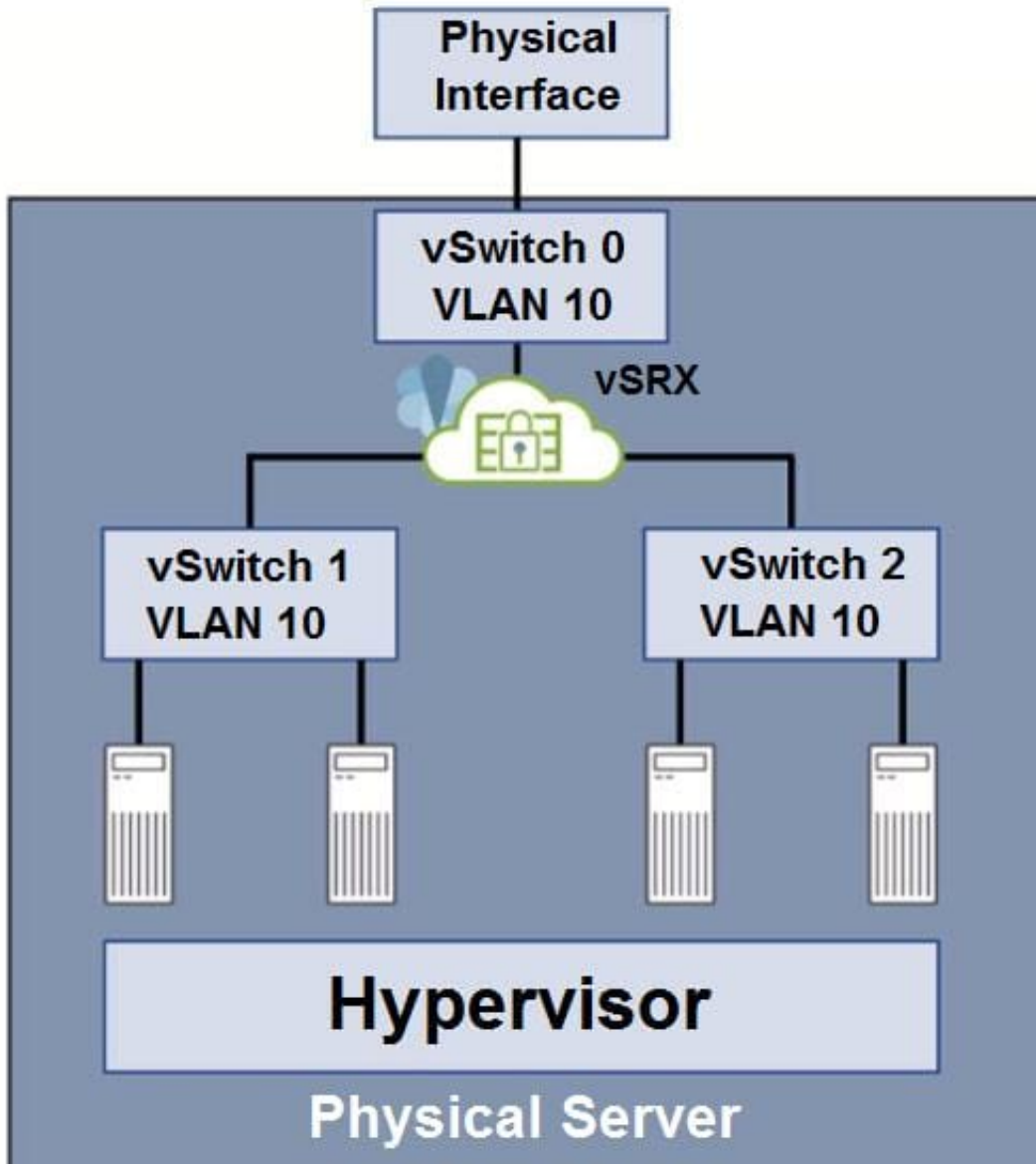
-  **Instant Download** After Purchase
-  **100% Money Back** Guarantee
-  **365 Days** Free Update
-  **800,000+** Satisfied Customers





QUESTION 1

Click the Exhibit button.



Referring to the exhibit, which two statements are true? (Choose two.)

- A. The vSRX is performing microsegmentation.
- B. The vSRX is working in routed mode.
- C. The vSRX is not performing microsegmentation.
- D. The vSRX is working in transparent mode.

Correct Answer: AD



QUESTION 2

You are designing a QoS scheme for your data center. You must ensure lossless Ethernet. What are three protocols that would be used in this scenario? (Choose three.)

- A. TRILL
- B. SPB
- C. ETS
- D. DCBx
- E. PFC

Correct Answer: CDE

QUESTION 3

You must implement Layer 4 security services between VMs that are hosted on the same server. You require a low footprint with Docker support.

In this scenario, which Juniper Networks product would you deploy?

- A. vSRX
- B. cRPD
- C. cSRX
- D. QFX

Correct Answer: C

QUESTION 4

You are responsible for the uptime of a Clos IP fabric that has an EBGP implementation. When the EBGP implementation is restarted on a router, it causes a routing flap.

In this scenario, which BGP feature would prevent downtime?

- A. EBGP multihop
- B. BGP route preference
- C. EBGP local preference
- D. BGP graceful restart

Correct Answer: D



QUESTION 5

Your Junos device is configured with dual Routing Engines.

In this scenario, which feature must be activated to preserve both the control and forwarding planes?

- A. graceful Routing Engine switchover only
- B. graceful Routing Engine switchover with graceful restart and non-stop routing
- C. graceful Routing Engine switchover with graceful restart
- D. graceful Routing Engine switchover with non-stop routing

Correct Answer: D

[Latest JN0-1302 Dumps](#)

[JN0-1302 Study Guide](#)

[JN0-1302 Braindumps](#)