



JN0-1302^{Q&As}

Data Center Design Specialist (JNCDS-DC)

Pass Juniper JN0-1302 Exam with 100% Guarantee

Free Download Real Questions & Answers **PDF** and **VCE** file from:

<https://www.geekcert.com/jn0-1302.html>

100% Passing Guarantee
100% Money Back Assurance

Following Questions and Answers are all new published by Juniper
Official Exam Center

-  **Instant Download** After Purchase
-  **100% Money Back** Guarantee
-  **365 Days** Free Update
-  **800,000+** Satisfied Customers





QUESTION 1

Your company is deploying a private cloud based on OpenStack and has selected Contrail Networking as their SDN controller. The data center supporting this private cloud will use an IP fabric architecture consisting of QFX Series switches and MX Series routers.

Which two statements are true in this scenario? (Choose two.)

- A. All vRouters maintain identical forwarding tables for all virtual networks.
- B. SDN Gateway devices may contain per-tenant MAC and IP addresses.
- C. Each vRouter maintains separate forwarding tables for various virtual networks.
- D. Spine and leaf devices may contain per-tenant MAC and IP addresses.

Correct Answer: BC

QUESTION 2

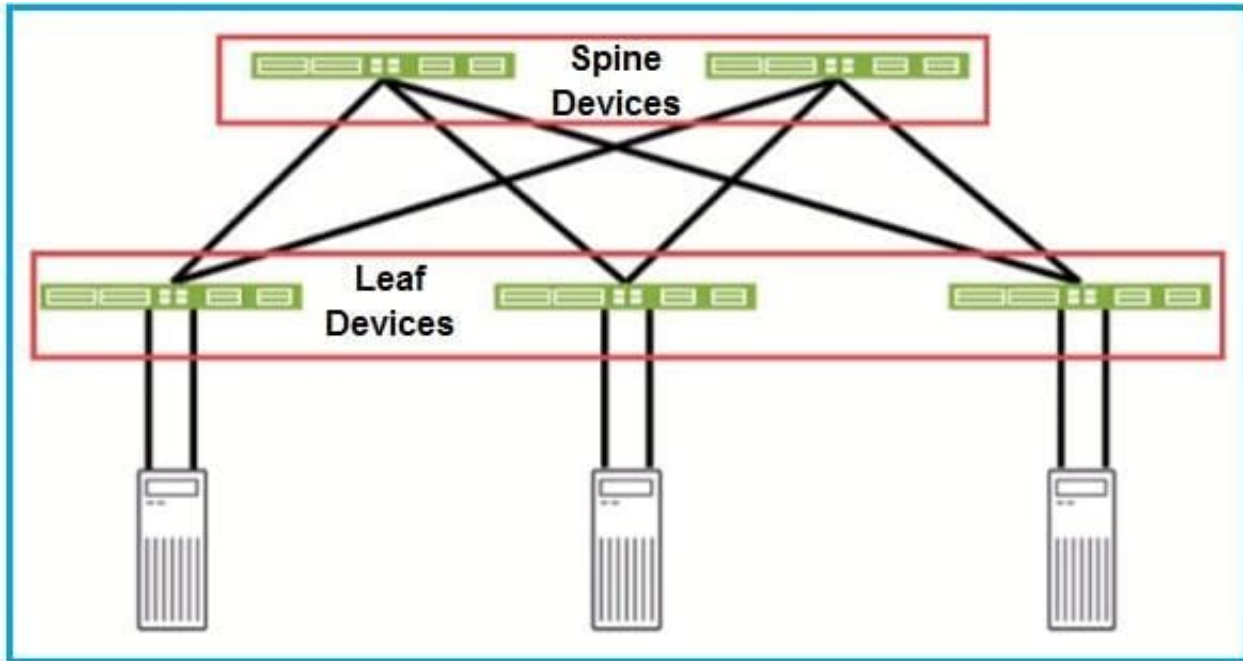
You have a highly latency-sensitive application that is mission critical to your company's operation. In this scenario, what will enable you to identify issues within three second accuracy?

- A. JTI
- B. RMON1
- C. LDAP
- D. RMON2

Correct Answer: A

QUESTION 3

Click the Exhibit button.



Referring to the exhibit, which two statements are true? (Choose two.)

- A. You should use CoS rewrite rules for traffic coming into the leaf devices.
- B. You should use CoS rewrite rules for traffic leaving the leaf devices.
- C. You should use CoS rewrite rules for traffic leaving the spine devices.
- D. You should use CoS rewrite rules for traffic coming into the spine devices.

Correct Answer: BC

QUESTION 4

Your company is deploying a private cloud based on OpenStack and has selected Contrail Networking as their SDN controller. As part of this solution, you must implement distributed firewall capabilities.

In this scenario, which Contrail component implements this function?

- A. vRouter
- B. vSwitch
- C. compute node
- D. installer

Correct Answer: A

QUESTION 5



You are asked to design security policies based on team membership. Which access control methodology should you use in this scenario?

- A. non-discretionary access control
- B. role-based access control
- C. mandatory access control
- D. discretionary access control

Correct Answer: B

[JN0-1302 Practice Test](#)

[JN0-1302 Exam Questions](#)

[JN0-1302 Braindumps](#)