



# JN0-1302<sup>Q&As</sup>

Data Center Design Specialist (JNCDS-DC)

**Pass Juniper JN0-1302 Exam with 100% Guarantee**

Free Download Real Questions & Answers **PDF** and **VCE** file from:

<https://www.geekcert.com/jn0-1302.html>

100% Passing Guarantee  
100% Money Back Assurance

Following Questions and Answers are all new published by Juniper  
Official Exam Center

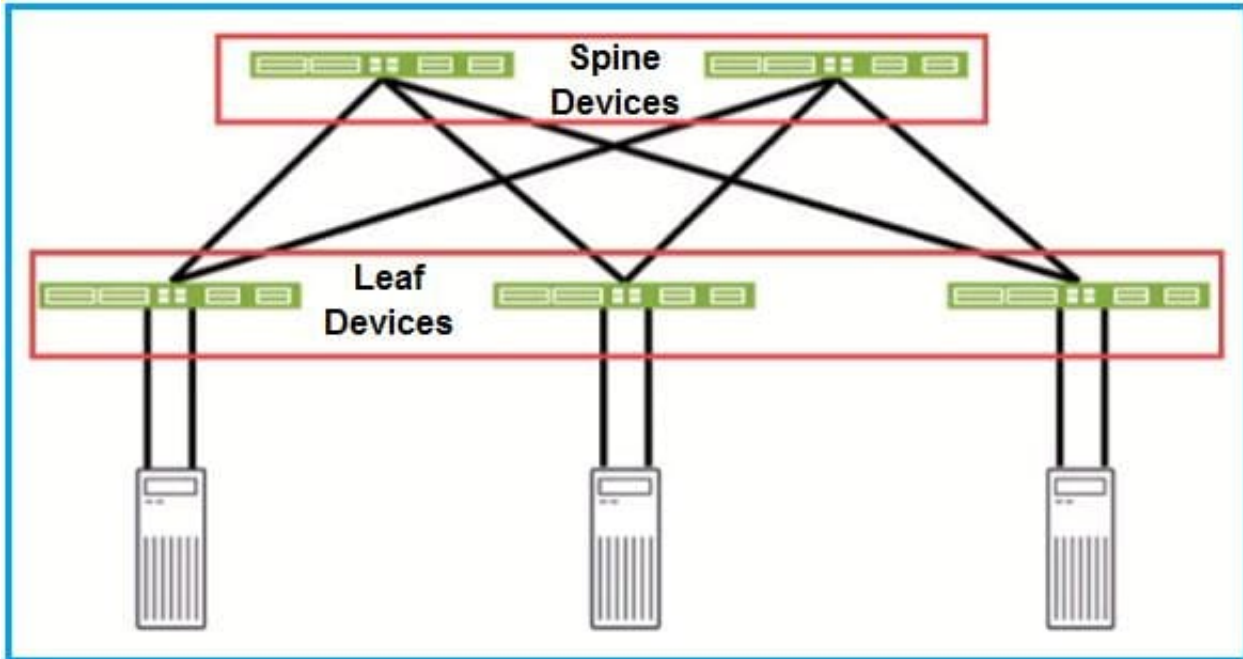
-  **Instant Download** After Purchase
-  **100% Money Back** Guarantee
-  **365 Days** Free Update
-  **800,000+** Satisfied Customers





### QUESTION 1

Click the Exhibit button.



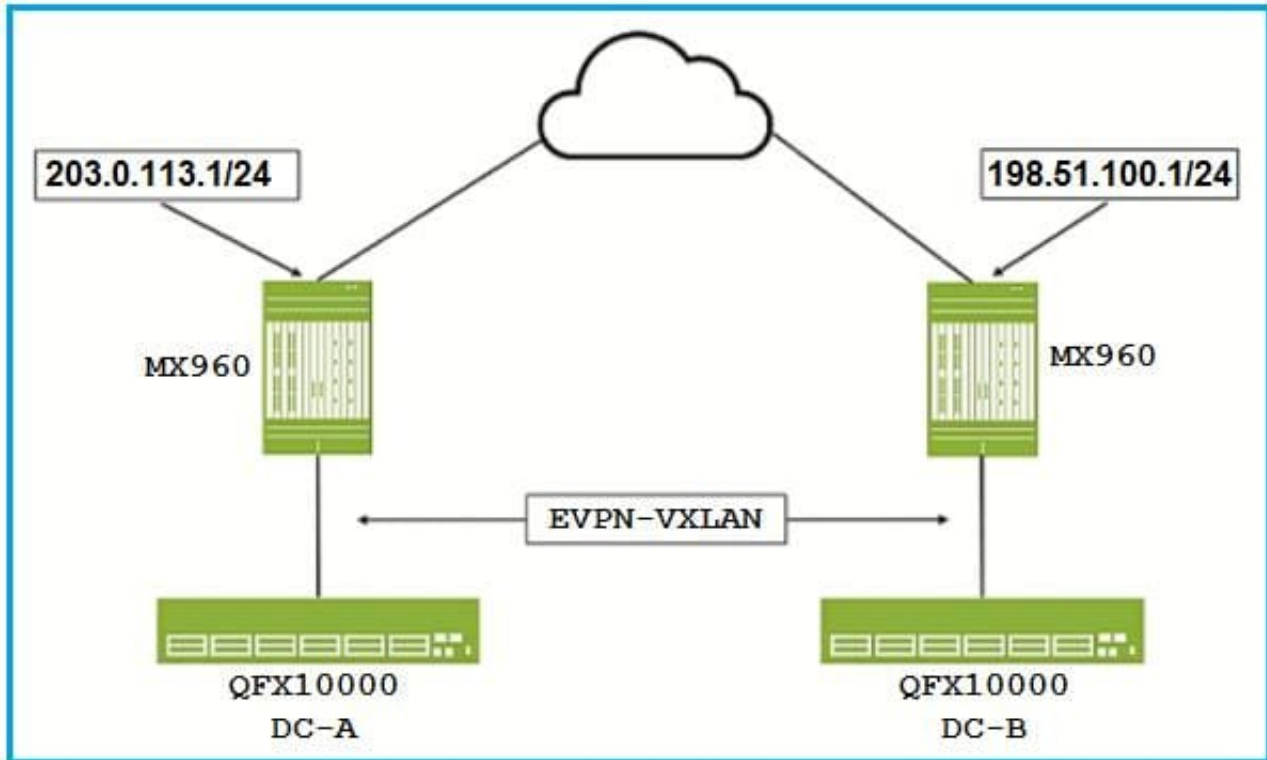
Referring to the exhibit, which two statements are true? (Choose two.)

- A. You should use CoS multifield classifiers for traffic leaving the leaf devices and going to the spine devices.
- B. You should use CoS BA classifiers for traffic leaving the spine devices and going to the leaf devices.
- C. You should use CoS multifield classifiers for traffic coming into the leaf devices from the servers.
- D. You should use CoS BA classifiers for traffic coming into the spine devices from the leaf devices.

Correct Answer: AB

### QUESTION 2

Click the Exhibit button.



You are in discussions with the WAN team about implementing a Data Center interconnect between DC-A and DC-B, as shown in the exhibit.

What are two protocols that would support your Data Center Interconnect requirements? (Choose two.)

- A. Layer 3 VPN
- B. OVSDB
- C. BGP
- D. H-VPLS

Correct Answer: AC

### QUESTION 3

You are responsible for the uptime of a Clos IP fabric that has an EBGP implementation. When the EBGP implementation is restarted on a router, it causes a routing flap.

In this scenario, which BGP feature would prevent downtime?

- A. EBGP multihop
- B. BGP route preference
- C. EBGP local preference
- D. BGP graceful restart



Correct Answer: D

---

#### QUESTION 4

Which two features add NGFW capabilities to a traditional security device? (Choose two.)

- A. IPS
- B. UTM
- C. IP filters
- D. NAT

Correct Answer: BC

---

#### QUESTION 5

Which three statements about Contrail Networking are true? (Choose three.)

- A. It is used to service chain network functions.
- B. It is used to program physical network functions.
- C. It is used to virtualize and program networks.
- D. It is used to virtualize and program compute.
- E. It is used to create distributed cloud storage.

Correct Answer: ACE

[JN0-1302 PDF Dumps](#)

[JN0-1302 Exam Questions](#)

[JN0-1302 Braindumps](#)