



JN0-1332^{Q&As}

Security Design Specialist (JNCDS-SEC)

Pass Juniper JN0-1332 Exam with 100% Guarantee

Free Download Real Questions & Answers **PDF** and **VCE** file from:

<https://www.geekcert.com/jn0-1332.html>

100% Passing Guarantee
100% Money Back Assurance

Following Questions and Answers are all new published by Juniper
Official Exam Center

-  **Instant Download** After Purchase
-  **100% Money Back** Guarantee
-  **365 Days** Free Update
-  **800,000+** Satisfied Customers





QUESTION 1

You are designing a solution to protect a service provider network against volumetric denial-of-service attacks. Your main concern is to protect the network devices. Which two solutions accomplish this task? (Choose two.)

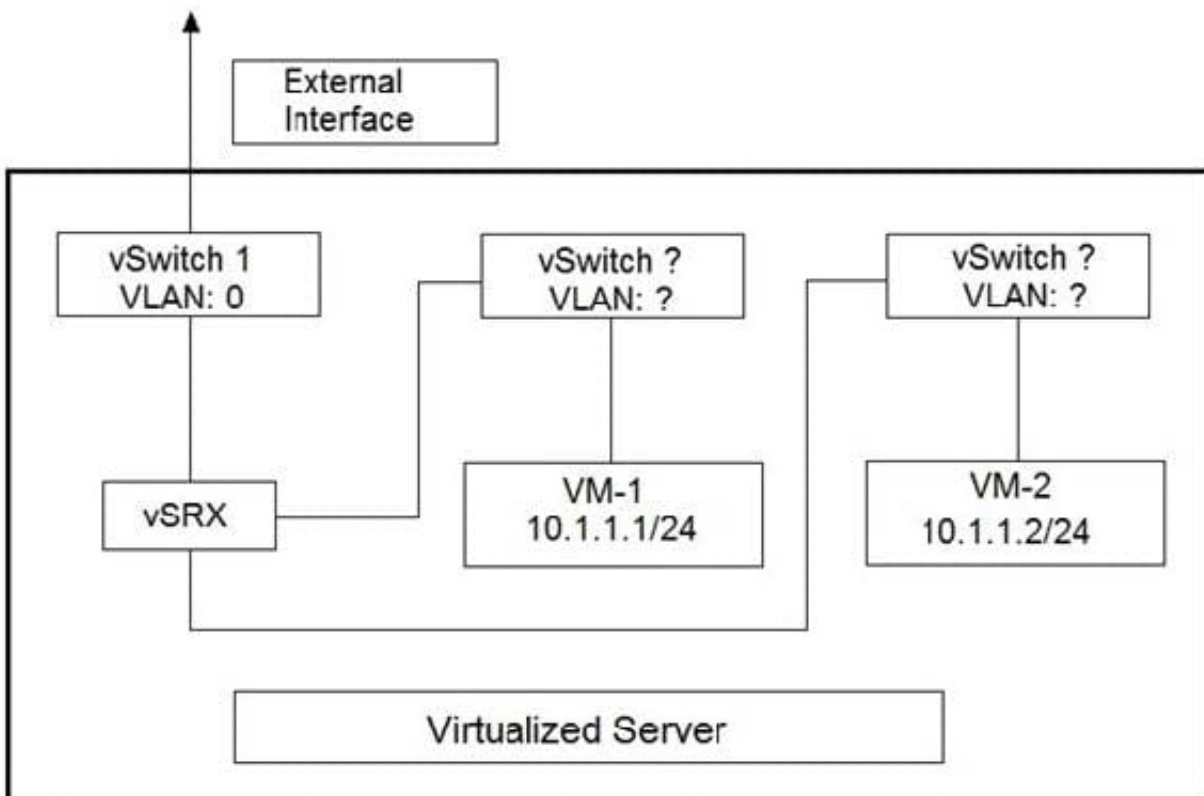
- A. next-generation firewall
- B. screens
- C. intrusion prevention system
- D. BGP FlowSpec

Correct Answer: CD

Reference: https://www.juniper.net/documentation/en_US/day-one-books/DO_BGP_FlowSpec.pdf

QUESTION 2

Click the Exhibit button.



You are designing the virtualized server deployment shown in the exhibit in your data center. The vSRX device is acting as a Layer 2 firewall and the two VMs must communicate through the vSRX device.

Which two actions must you perform to accomplish this task? (Choose two.)



- A. Place both VMs in the same vSwitch
- B. Place both VMs in the same VLAN
- C. Place both VMs in different vSwitches
- D. Place both VMs in different VLANs

Correct Answer: BC

QUESTION 3

You are required to design a university network to meet the conditions shown below.

Users connected to the university network should be able to access the Internet and the research department lab network.

The research department lab network should not be able to reach the Internet.

Which three actions satisfy the design requirements? (Choose three.)

- A. Use a global permit policy for Internet traffic
- B. Use a global deny security policy for the research lab
- C. Use separate security zones for each department
- D. Use the default deny security policy for the research lab
- E. Use a static NAT rule between the internal zones for the research lab

Correct Answer: ACD

QUESTION 4

You have a campus location with multiple WAN links. You want to specify the primary link used for your VoIP traffic.

In this scenario, which type of WAN load balancing would you use?

- A. BGP
- B. OSPF
- C. FBF
- D. ECMP

Correct Answer: C

Reference: https://www.juniper.net/documentation/en_US/junos/topics/topic-map/security-applicationadvanced-policy-based-routing.html



QUESTION 5

You are concerned about users downloading malicious attachments at work while using encrypted Web mail. You want to block these malicious files using your SRX Series device.

In this scenario, which two features should you use? (Choose two.)

- A. SSL reverse proxy
- B. SSL forward proxy
- C. Sky ATP SMTP scanning
- D. Sky ATP HTTP scanning

Correct Answer: BC

[JN0-1332 PDF Dumps](#)

[JN0-1332 Practice Test](#)

[JN0-1332 Study Guide](#)