



JN0-351^{Q&As}

Enterprise Routing and Switching Specialist (JNCIS-ENT)

Pass Juniper JN0-351 Exam with 100% Guarantee

Free Download Real Questions & Answers **PDF** and **VCE** file from:

<https://www.geekcert.com/jn0-351.html>

100% Passing Guarantee
100% Money Back Assurance

Following Questions and Answers are all new published by Juniper
Official Exam Center

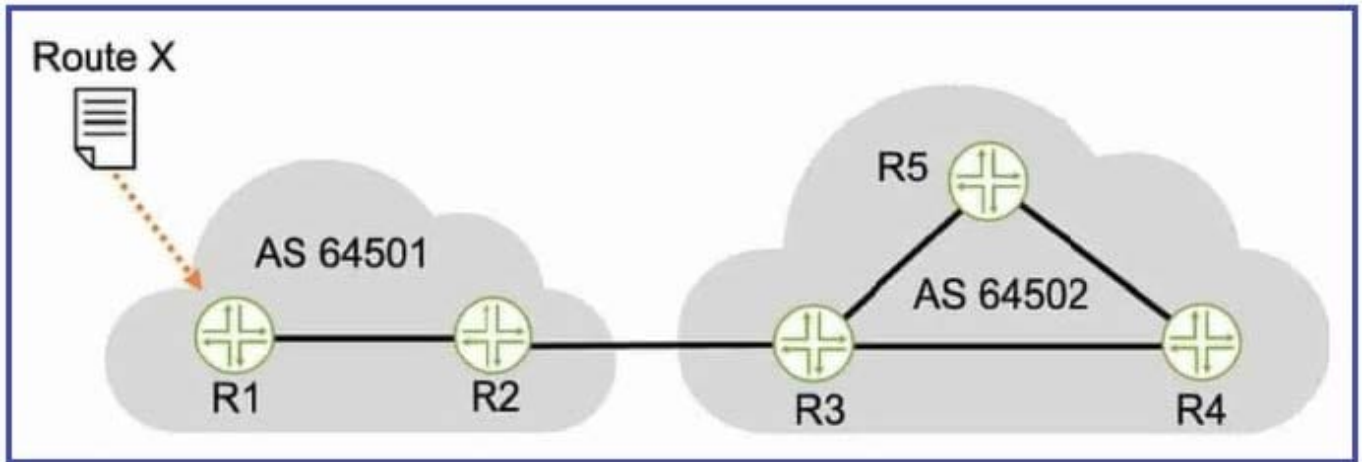
-  **Instant Download** After Purchase
-  **100% Money Back** Guarantee
-  **365 Days** Free Update
-  **800,000+** Satisfied Customers





QUESTION 1

Click the Exhibit button.



Referring to the exhibit, Router 1 learns about Route X.

Which statement is correct about Route X when using the default BGP advertisement rules?

- A. R1 will not advertise this route to any peers.
- B. R3 will not advertise this route to R4 or R5 without an explicit policy.
- C. R4 and R5 will not advertise this route to each other.
- D. R2 will not advertise this route to R3 without an explicit policy.

Correct Answer: C

QUESTION 2

What is a purpose for the OSPF database description packet?

- A. to transfer the LSA headers between two systems
- B. to determine who is in charge of database flushing
- C. to transfer the LSUs between two systems
- D. to determine who is in charge of adjacency formation

Correct Answer: A

QUESTION 3

Which two statements about Layer 2 loop prevention protocols are correct? (Choose two.)



- A. RSTP distributes the current tree topology using the root bridge.
- B. STP can take 30 to 50 seconds to respond to a topology change.
- C. RSTP can take 30 to 50 seconds to respond to a topology change.
- D. STP distributes the current tree topology using the root bridge.

Correct Answer: AB

QUESTION 4

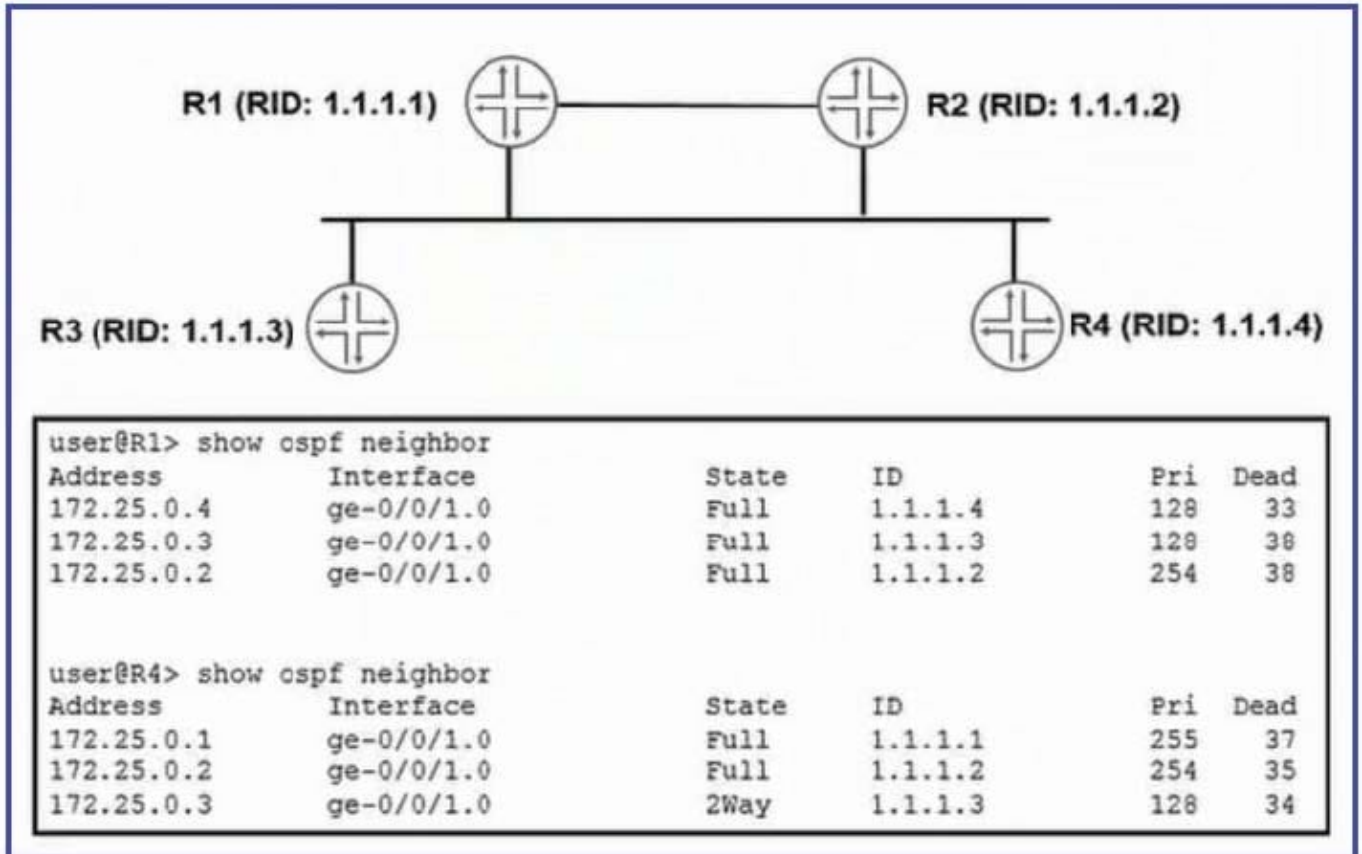
You were provided a network diagram that told you to number your network from the 191.255.0.0/16 space. OSPF is enabled and adjacencies are up, but no routers are learning any routes. What can explain this?

- A. The default OSPF export policies advertise nothing, so you need to apply export policy
- B. The default OSPF import policy rejects all OSPF routes, so you need to apply import policy
- C. You need to modify the martian table with a 191.255.0.0/16 accept statement
- D. You need to enable OSPF on the lo0 interface to provide a route to the RID of each router in the network

Correct Answer: C

QUESTION 5

Click the Exhibit button.



Referring to the exhibit, which statement is correct?

- A. R1 and R2 are elected as DROthers.
- B. R3 has the complete OSPF database.
- C. R3 and R4 have an adjacency state of Full.
- D. R4 is elected as the DR.

Correct Answer: B

[JN0-351 Practice Test](#)

[JN0-351 Study Guide](#)

[JN0-351 Braindumps](#)