



JN0-363^{Q&As}

Service Provider Routing and Switching Specialist (JNCIS-SP)

Pass Juniper JN0-363 Exam with 100% Guarantee

Free Download Real Questions & Answers **PDF** and **VCE** file from:

<https://www.geekcert.com/jn0-363.html>

100% Passing Guarantee
100% Money Back Assurance

Following Questions and Answers are all new published by Juniper
Official Exam Center

-  **Instant Download** After Purchase
-  **100% Money Back** Guarantee
-  **365 Days** Free Update
-  **800,000+** Satisfied Customers





QUESTION 1

An OSPF router does not have a router ID configured.

In this scenario, which statement is correct about the router ID?

- A. The Junos OS will use the IP address assigned to the interface with the lowest MAC address.
- B. A router ID will not be assigned until it is manually configured.
- C. The Junos OS will use the IP address assigned to the loopback interface for the router ID.
- D. The Junos OS will use the IP address assigned to the Interface with the highest priority.

Correct Answer: B

QUESTION 2

Exhibit Referring to the exhibit, internal BGP between R1 and R2 is not establishing. What is the problem In this scenario?

```
Exhibit
user@R1> show bgp summary
Threading mode: BGP I/O
Default eBGP mode: advertise - accept, receive - accept
Groups: 1 Peers: 1 Down peers: 1
Table          Tot Paths  Act Paths  Suppressed    History Damp State   Pending
inet.0
                0          0          0             0         0         0         0
Peer           AS      InPkt    OutPkt    OutQ   Flaps Last Up/Dwn
State|#Active/Received/Accepted/Damped...
192.168.200.2  64512      0         0         0       0      1:01 Active
user@R1> show configuration routing-options
autonomous-system 64512;
user@R1> show configuration protocols
bgp {
  group Internal {
    type internal;
    local-address 192.168.200.1;
    neighbor 192.168.200.2;
  }
}
```

- A. R1 does not have a route to 192.168.200.2.
- B. R1 and R2 must each have unique AS numbers.
- C. R1 needs to be configured with an explicit router ID.



D. R1 needs to be configured with a next-hop self policy.

Correct Answer: A

QUESTION 3

Exhibit

```
user@R1> show vrrp summary
Interface      State      Group  VR state  VR Mode  Type  Address
ge-0/0/4.0    up         10     master   Active   lcl   172.25.100.2
               vip       172.25.100.1

user@R2> show vrrp summary
Interface      State      Group  VR state  VR Mode  Type  Address
ge-0/0/4.0    up         10     master   Active   lcl   172.25.100.3
               vip       172.25.100.1
```

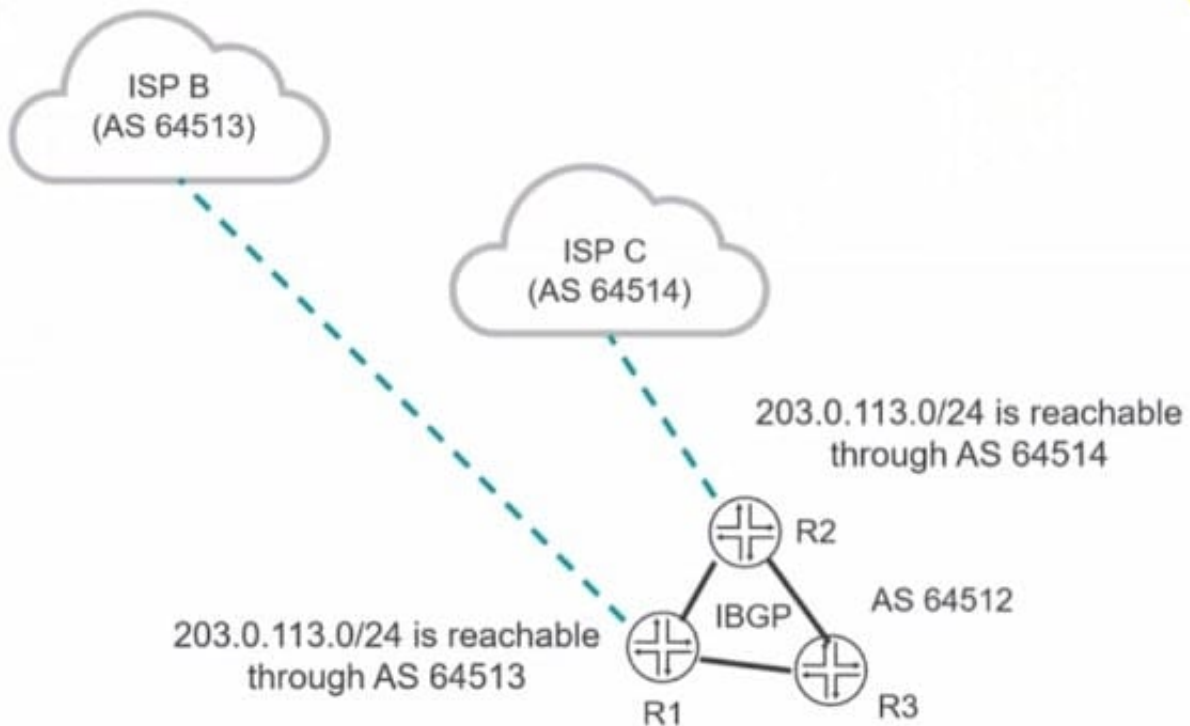
Referring to the exhibit, which statement is true about VRRP?

- A. VRRP communication between the two devices is not functioning correctly.
- B. Both routers are in the same state because they have the same VRRP priority.
- C. VRRP is functioning normally in active/active mode.
- D. The routers should use different virtual IP addresses for VRRP to function correctly.

Correct Answer: D

QUESTION 4

Exhibit



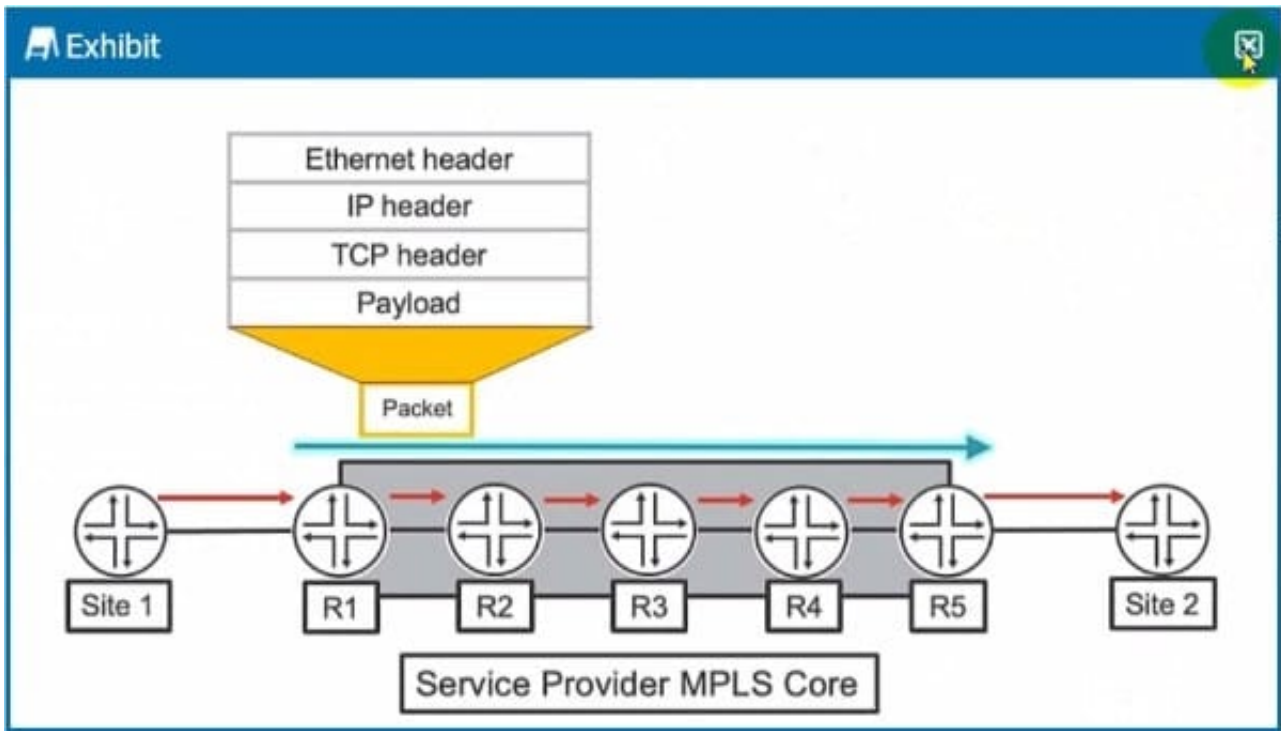
You want the R1 and R3 routers to forward traffic destined to the 203.0.113.0/24 network through R2. Which BGP attribute would you modify to satisfy this requirement?

- A. community
- B. origin
- C. MED
- D. local preference

Correct Answer: C

QUESTION 5

Exhibit



Which two statements are correct about the actions taken as the packet traverses the service provider MPLS network from Site 1 to Site 2 as shown in the exhibit? (Choose two.)

- A. R2 will perform a lookup using the mpls.0 table.
- B. R1 will perform a lookup using the inet.3 table.
- C. R1 will perform a lookup using the mpls.0 table.
- D. R2 will perform a lookup using the inet.3 table.

Correct Answer: A

[JN0-363 PDF Dumps](#)

[JN0-363 VCE Dumps](#)

[JN0-363 Braindumps](#)