



JN0-663^{Q&As}

Service Provider Routing and Switching, Professional (JNCIP-SP)

Pass Juniper JN0-663 Exam with 100% Guarantee

Free Download Real Questions & Answers **PDF** and **VCE** file from:

<https://www.geekcert.com/jn0-663.html>

100% Passing Guarantee
100% Money Back Assurance

Following Questions and Answers are all new published by Juniper
Official Exam Center

-  **Instant Download** After Purchase
-  **100% Money Back** Guarantee
-  **365 Days** Free Update
-  **800,000+** Satisfied Customers





QUESTION 1

Which two statements are correct about Opaque LSAs in OSPF? (Choose two.)

- A. Type 10 LSAs are used for MPLS traffic-engineering and have area scope.
- B. Type 11 LSAs are used for MPLS traffic-engineering and have area scope.
- C. Type 11 LSAs are used for MPLS label exchange and have link-local scope
- D. Type 9 LSAs are used for graceful-restart and have link-local scope

Correct Answer: AD

QUESTION 2



```
[edit routing-instances CE-1]
user@R1# show
protocols {
    bgp {
        group CE-1 {
            type external;
            peer-as 65555;
            neighbor 10.1.1.100;
        }
    }
}
instance-type vrf;
interface ge-0/0/2.0;
route-distinguisher 65512:1;
vrf-target target:65512:100;
```

```
[edit routing-instances CE-2]
user@R2# show
protocols {
    bgp {
        group CE-2 {
            type external;
            peer-as 65555;
            neighbor 10.1.5.100;
        }
    }
}
instance-type vrf;
interface ge-0/0/3.0;
route-distinguisher 65512:1;
vrf-target target:65512:100;
```

Referring to the exhibit, which two statements are true? (Choose two.)

- A. The CE-1 and CE-2 routes will have the same route distinguisher, which will stop the BGP routes from being shared.
- B. An AS loop will not exist between CE-1 and CE-2 and the BGP routes will be shared.
- C. An AS loop will exist between CE-1 and CE-2 and the BGP routes will not be shared.



D. The CE-1 and CE-2 routes will have the same route distinguisher, which will not stop the BGP routes from being shared.

Correct Answer: CD

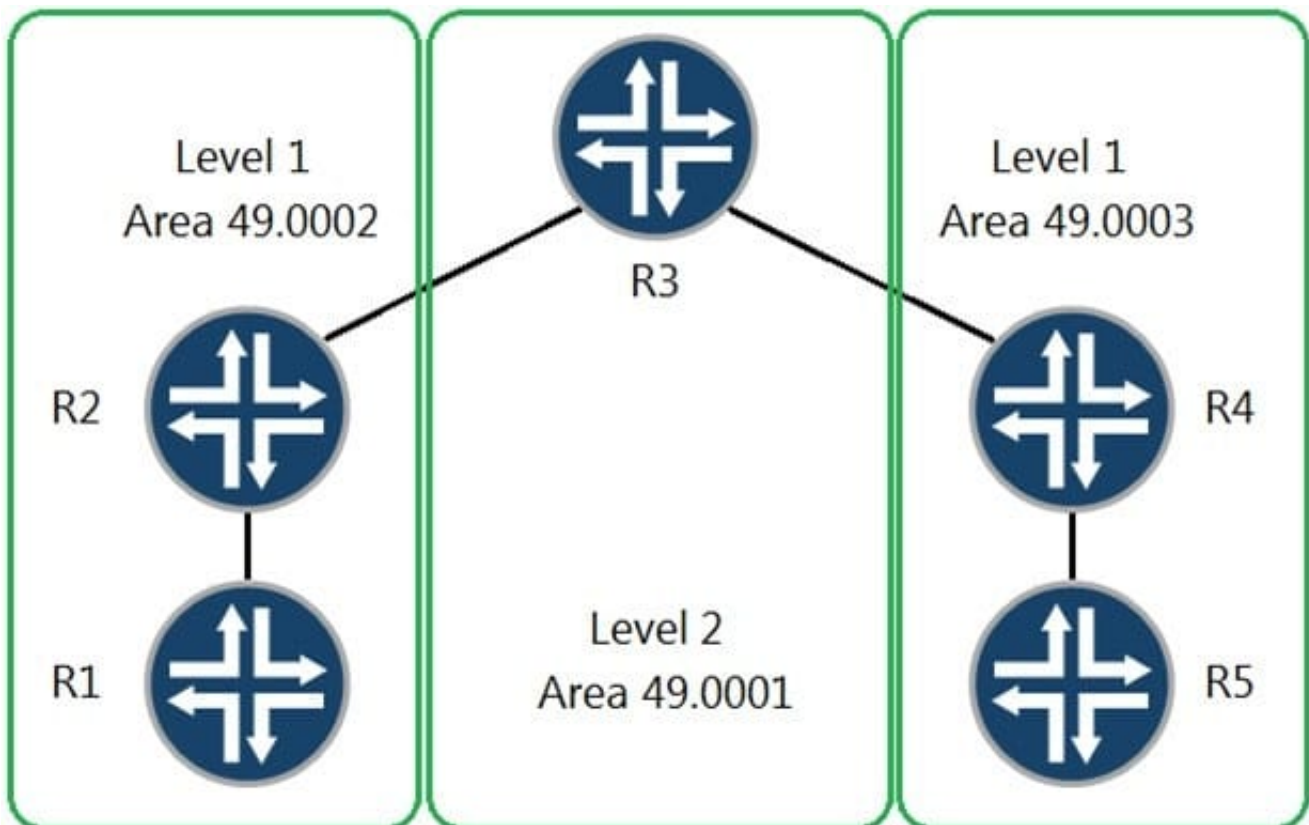
QUESTION 3

Which two statements regarding ingress replication in EVPN are correct? (Choose two.)

- A. Ingress replication labels are learned from remote PEs through the EVPN Type-3 route.
- B. Ingress replication relies on PIM to build the multicast replication tree.
- C. Ingress replication is only supported in vrf-type routing instances.
- D. Ingress replication will replicate all BUM traffic to all remote PEs in the EVI.

Correct Answer: AD

QUESTION 4



All adjacencies have been formed, no extra options have been configured, and no policies have been written.

Referring to the exhibit, which two statements are correct? (Choose two.)

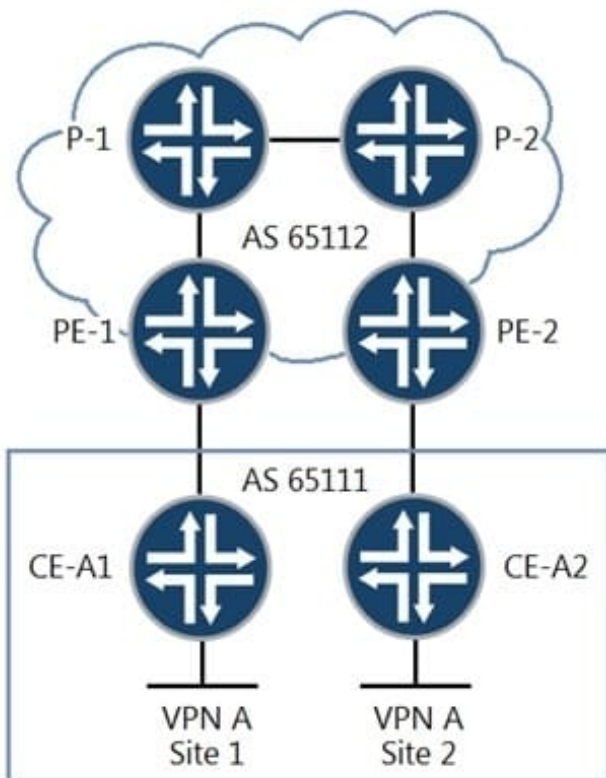
- A. R2 will create a default route and send it as a TLV to R1



- B. R1 cannot reach R5
- C. R1 can reach R5
- D. R1 will create its own default route that points to R2

Correct Answer: AC

QUESTION 5



```
[edit routing-instances CE-A1]
user@PE-1# show
instance-type vrf;
interface ge-0/0/9.0;
route-distinguisher 10.222.222.3:2;
vrf-target target:65511:101;
protocols {
  bgp {
    group CE-A1 {
      type external;
      peer-as 65111;
      neighbor 192.168.0.2;
    }
  }
}

[edit routing-instances CE-A2]
user@PE-2# show
instance-type vrf;
interface ge-0/0/9.0;
route-distinguisher 10.222.222.3:2;
vrf-target target:65511:101;
protocols {
  bgp {
    group CE-A2 {
      type external;
      peer-as 65111;
      neighbor 192.168.6.2;
    }
  }
}
```

Referring to the exhibit, hosts in Site 1 and Site 2 are unable to communicate with each other through the Layer 3 VPN.

What is the problem?

- A. The two sites are in the same AS.
- B. The two sites are using the same instance type.



- C. The two sites are using the same route target.
- D. The two sites are using the same route distinguisher.

Correct Answer: A

[Latest JN0-663 Dumps](#)

[JN0-663 Study Guide](#)

[JN0-663 Exam Questions](#)