



JN0-663^{Q&As}

Service Provider Routing and Switching, Professional (JNCIP-SP)

Pass Juniper JN0-663 Exam with 100% Guarantee

Free Download Real Questions & Answers **PDF** and **VCE** file from:

<https://www.geekcert.com/jn0-663.html>

100% Passing Guarantee
100% Money Back Assurance

Following Questions and Answers are all new published by Juniper
Official Exam Center

-  **Instant Download** After Purchase
-  **100% Money Back** Guarantee
-  **365 Days** Free Update
-  **800,000+** Satisfied Customers





QUESTION 1

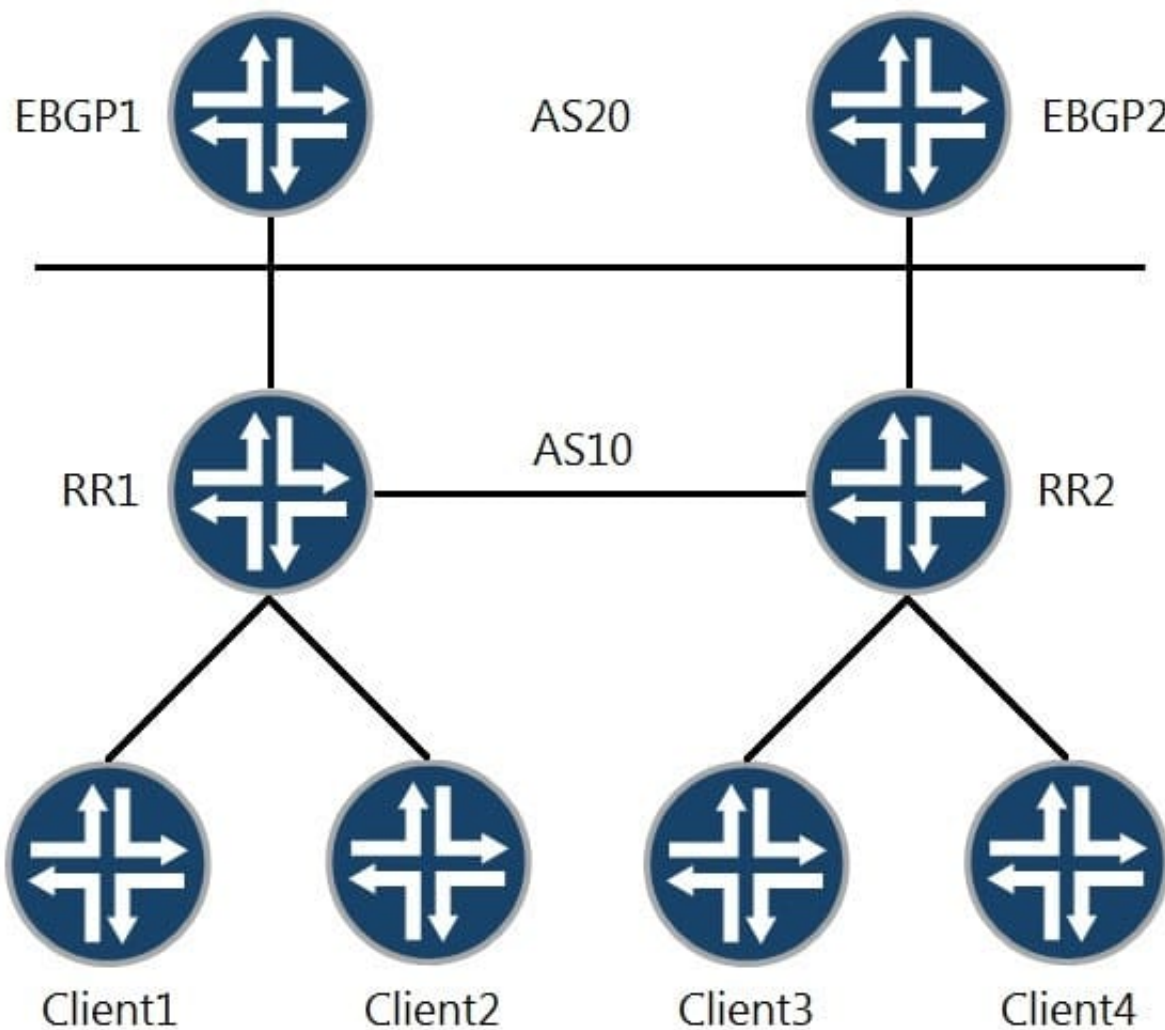
You must deploy an interprovider VPN option that ensures that the ASBRs do not need to store any VPN routes.

In this scenario, which interprovider VPN option should you choose?

- A. option A
- B. option B
- C. option D
- D. option C

Correct Answer: C

QUESTION 2



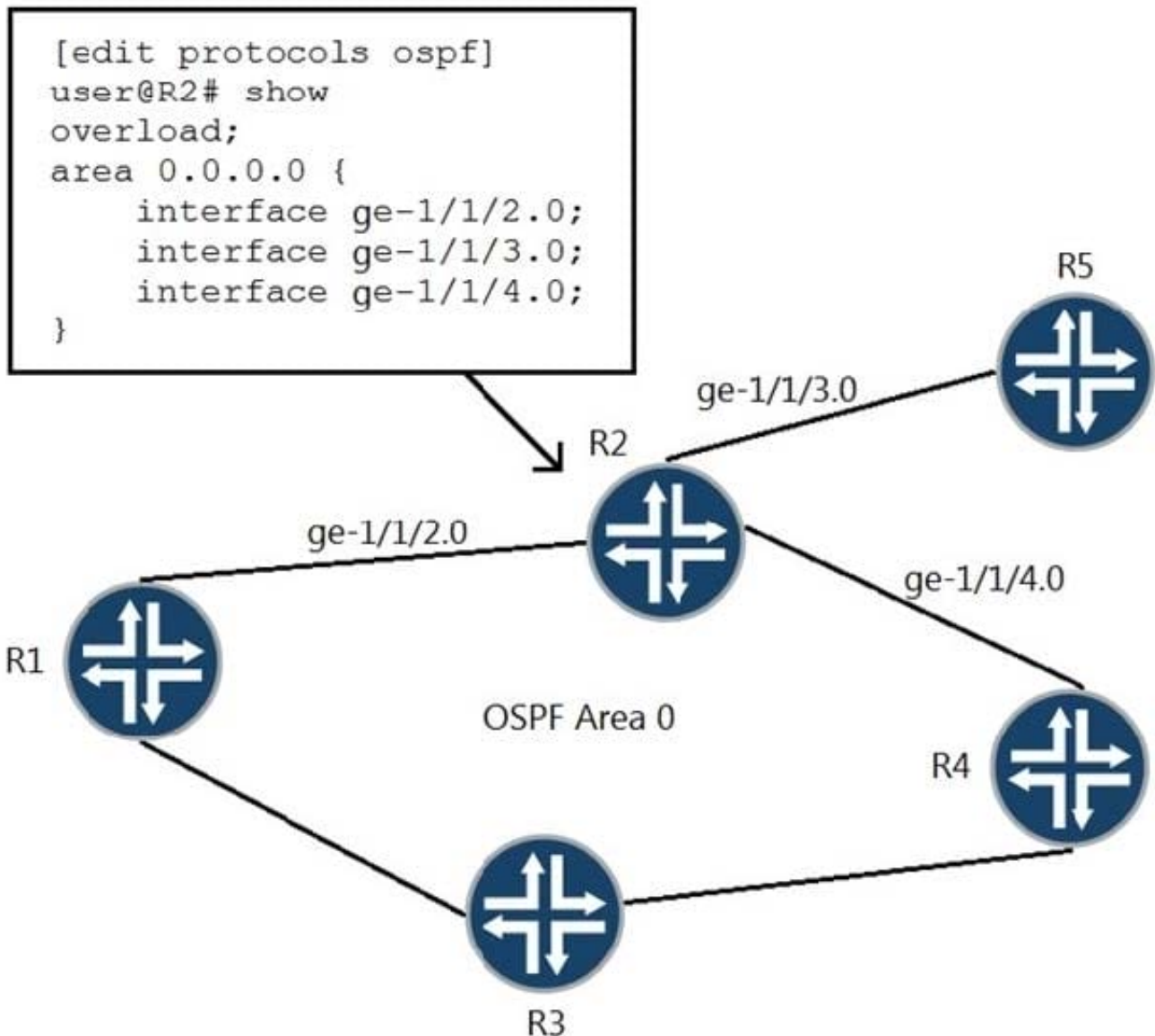
Referring to the exhibit, which two statements about route reflectors are correct? (Choose two.)



- A. RR1 advertises routes learned from Client1 to RR2 with itself as the next hop.
- B. RR2 advertises routes learned from Client3 to EBG2 with itself as the next hop.
- C. RR1 and RR2 need the same cluster ID to exchange routes learned from their clients.
- D. RR2 adds its cluster ID when advertising routes from Client4 to Client3.

Correct Answer: BD

QUESTION 3



Referring to the exhibit, which two statements are correct? (Choose two.)

- A. R2 stops sending LSAs into the network.
- B. The OSPF interface metrics on R2 are all set to 65535.



- C. R1 will never forward transit traffic through R2.
- D. Transit traffic from R1 to R4 will traverse R3.

Correct Answer: BD

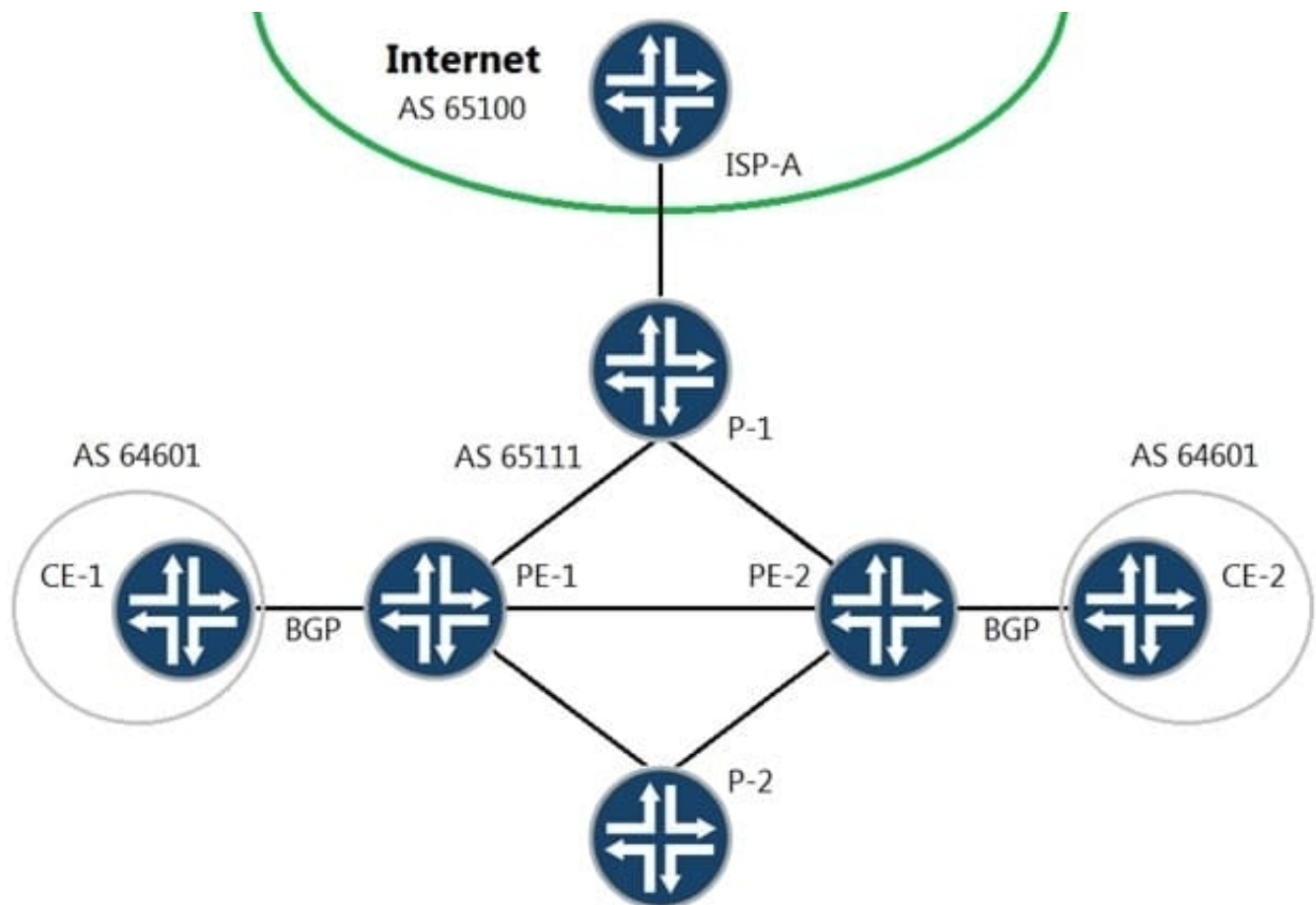
QUESTION 4

Which two statements about wide and narrow metrics used in IS-IS are correct? (Choose two.)

- A. Wide metrics are enabled with the wide-metrics-only parameter under protocols isis hierarchy.
- B. Narrow metrics are enabled by default and use 8 bits in TLVs to send information.
- C. Wide metrics are sent by default and use 24 bits in TLVs to send information.
- D. Disabling narrow metrics results in external routes being leaked from L1 to L2 areas automatically.

Correct Answer: AB

QUESTION 5



Referring to the exhibit, you have recently established a Layer 3 VPN between PE-1 and PE-2, connecting the two CE



sites. Routing information is being shared between sites and the customer has two-way communication. After adding this VPN to your core network, PE-1 and PE-2 are no longer able to forward traffic to the Internet.

In this scenario, what is the problem?

- A. You must configure the inet-vpn NLRI for the BGP sessions on both your PE devices.
- B. You must configure a multihop external BGP session between your PE devices and the Internet provider's ISP-A device
- C. You must configure the inet unicast NLRI for the BGP session on both your PE devices.
- D. You must configure a separate internal BGP group on both your PE devices specifically for Internet connectivity.

Correct Answer: C

[JN0-663 VCE Dumps](#)

[JN0-663 Exam Questions](#)

[JN0-663 Braindumps](#)